

PRICING

NEMA FRAMES

General Information 1
 Single Phase C Face 56 Frame..... 2
 W Range Aluminum Foot Mount 56 Frame 3
 W Range Aluminum C Face 56 Frame 4
 W Premium Eff. Aluminum - Foot Mount..... 5
 W Premium Eff. Aluminum - C Face 6
 W Premium Eff. Aluminum - D Flange 7
 W Premium Eff. Cast Iron - Foot Mount..... 8-9
 W Premium Eff. Cast Iron - C Face 10-11
 W Premium Eff. Cast Iron - D Flange 12-13
 Explosion Proof - Foot Mount 22-23
 Explosion Proof - C Face 24-25
 PE III Aluminum - Foot Mount 38
 PE III Aluminum - C Face 39
 PE III Aluminum - D Flange 40
 PE III Cast Iron - Foot Mount 41-42
 PE III Cast Iron - C Face 43-44
 PE III Cast Iron - D Flange..... 45-46
 Brake Motors..... 53-54
 Two Speed..... 57
 Mounting Accessories 58
 Modification List Price59-60
 Flange List Price.....61-62

METRIC FRAMES

W Premium Eff. Aluminum - Foot Mount...14-15
 W Premium Eff. Aluminum - Flange.....16-17
 W Premium Eff. Cast Iron - Foot Mount.....18-19
 W Premium Eff. Cast Iron - Flange.....20-21
 ATEX EExd IIB Exp Proof - Foot Mount26-27
 ATEX EExd IIB Exp Proof - Flange.....28-29
 ATEX EExde IIC Exp Proof - Foot Mount .30-31
 ATEX EExde IIC Exp Proof - Flange.....32-33
 ATEX EEx nA Zone 2 - Foot Mount.....34-35
 ATEX EEx nA Zone 2 - Flange36-37
 PE III Aluminum - Foot Mount 47
 PE III Aluminum - Flange 48
 PE III Cast Iron - Foot Mount49-50
 PE III Cast Iron - Flange51-52
 Brake Motors55-56
 Flange List Price61-62

MISCELLANEOUS

Bearing Sizes65
 Witton Kramer Brakes.....63
 Integrated Variable Speed Motor 64
 Connection Diagrams88-89
 Shipping Weights & Dimensions90
 Definition of IP Codes91
 Mounting Configurations.....92
 Page Index.....93-111

DIMENSIONS

NEMA FRAMES

W Premium Efficiency 67-68
 Explosion Proof - Foot Mount 75
 Explosion Proof - C Face76
 Single Phase 66

METRIC FRAMES

W Premium Efficiency 69-70
 W Range EEXnA Zone 2..... 71-72
 ATEX EExd Explosion Proof 73-74

PERFORMANCE

NEMA FRAMES

Single Phase 2
 W Premium Aluminum 60 Hz..... 77
 W Premium Cast Iron 60 Hz..... 78
 W Premium Aluminum 50 Hz..... 79
 W Premium Cast Iron 50 Hz..... 80
 Premium Explosion Proof..... 85

METRIC FRAMES

W Premium Aluminum 60 Hz..... 81
 W Premium Cast Iron 60 Hz..... 82
 W Premium Aluminum 50 Hz..... 83
 W Premium Cast Iron 50 Hz..... 84
 ATEX EEx nA Explosion Proof Zone 2 86
 ATEX EExd Explosion Proof87

Prices Shown in this publication are list:
 Subject to change without notice.
 Subject to our Standard Terms and Conditions of Sale

Dimensions should not be used for installation purposes.
 Certified drawings can be supplied at time of order receipt.

**ISO 9001 Quality
INTERNATIONAL STANDARDS ORGANIZATION**

ISO 9001 is an internationally recognized standard which is used as a model for Quality Management Systems and covers all functions within the organization including designs, development, production, installation, and servicing.

All Brook Crompton manufacturing sites have been approved to ISO 9001 standards.

List Prices and Discounts

All prices in this catalog are list prices and are exclusive of any applicable taxes. Contact your Brook Crompton distributor or a Brook Crompton Regional office for your applicable discount.

Manufacturing Policy

Every care has been taken to ensure the accuracy of the information contained in this publication; however, due to our policy of continuous development and improvement, the right is reserved to supply products which may differ slightly from those illustrated and described in this publication.

Warranty Policy

Brook Crompton warrants its NEMA and IEC integral horsepower motors to be free from defect in materials and workmanship and to conform to its written specifications for a period of 36 months from date of first use or 42 months from date of manufacture, whichever period shall expire first. Additionally, Brook Crompton warrants its NEMA 56 frame motors to be free from defect in materials and workmanship and to conform to its written specifications for a period of 12 months from date of first use or 18 months from date of manufacture, whichever period shall expire first.

Brook Crompton reserves the right to repair or replace, solely at their discretion, any motors that are deemed to have failed during the warranty period stated above.

Service Procedures

1. Contact Brook Crompton immediately.
2. Provide full details: i.e. HP, frame, serial number, and date of purchase.
3. Brook Crompton will establish if service or replacement is required and if a valid warranty exists.

Brook Crompton will cover under warranty the repair or replacement of the defective unit. Brook Crompton will not be liable for any freight charges and/or installation/removal costs associated with the repair/replacement.



NEMA 56C Frame C Face With Feet ~ Single Phase Rolled Steel Construction TEFC

Dimensions - Page 66



Features:

- C Face with Feet
- Locked Drive End Bearing
- Belt Drive or Close Coupled Applications
- Class F Insulation
- Service Factor 1.15

HP	RPM	FRAME	115-208/230V	LIST	C Dim. (IN)	LBS
0.33	3600	56C	SS2N.33-1C	\$215	11.9	23
	1800	56C	SS4N.33-1C	294	11.9	22
0.5	3600	56C	SS2N.50-1C	263	11.9	26
	1800	56C	SS4N.50-1C	347	11.9	23
0.75	3600	56C	SS2N.75-1C	311	13.07	30
	1800	56C	SS4N.75-1C	427	13.07	25
1	3600	56C	SS2N001-1C	360	13.07	36
	1800	56C	SS4N001-1C	446	13.07	40
1.5	3600	56C	SS2N1.5-1C	449	14.45	45
	1800	56C	SS4N1.5-1C	521	14.45	48
2	3600	56C	SS2N002-1C	543	14.45	40
	1800	56C	SS4N002-1C	639	14.45	50

Performance Data

Model	HP	FL RPM	F.L. Amps		FL Efficiency	FL Power Factor	LRT %	BDT %	L.R. Amps		S.F.	WT
			115 V	230 V					115 V	230 V		
SS2N.33-1C	0.33	3425	5.2	2.6	58	0.72	340	250	31	18	1.15	23
SS4N.33-1C	0.33	1725	4.8	2.4	65	0.69	350	235	31	18	1.15	22
SS2N.50-1C	0.5	3425	6.6	3.3	65	0.76	350	270	45	25	1.15	26
SS4N.50-1C	0.5	1725	6.4	3.2	69	0.73	350	275	45	25	1.15	23
SS2N.75-1C	0.75	3425	8.6	4.3	70	0.8	320	270	61	35	1.15	30
SS4N.75-1C	0.75	1725	8.8	4.4	73	0.76	320	290	61	35	1.15	25
SS2N001-1C	1	3425	10.8	5.4	73	0.82	300	245	80	45	1.15	36
SS4N001-1C	1	1725	11.2	5.6	75	0.78	260	270	80	45	1.15	40
SS2N1.5-1C	1.5	3425	13.8	6.9	74	0.95	260	250	100	50	1.15	45
SS4N1.5-1C	1.5	1725	13.4	6.7	76	0.95	265	245	100	50	1.15	48
SS2N002-1C	2	3425	18	9	76	0.95	260	250	130	65	1.15	40
SS4N002-1C	2	1725	17.8	8.9	77	0.95	265	245	130	65	1.15	50

Discount Category **05**



NEMA 56 Frame

Foot Mounted
3PH, 60 Hz
Aluminum Construction

Performance - Page 77
Dimensions - Page 67-68



Features:

- NEMA MG1-PART 31 Inverter Duty
15:1 Constant Torque
- Service Factor 1.25
- IP55 degree of protection
- VPI Impregnation
- Internal Tropicproof
- Removable/ Repositional Feet for easy F1, F2, F3 or Round Body configuration
- Class F insulation
- Dual Rated 60/50Hz
- Split conduit box is 90° rotatable
- Warranty: 1 Year
- CSA approved for Class I ; Division 2 ; Groups A,B,C & D,T3

HP	RPM	FRAME	208-230/460V	575V	LIST	FL. EFF.	C Dim. (IN)	LBS
0.25	1800	56	BF4N.25-2	BF4N.25-5	\$227	66	11.54	17
	1200	56	BF6N.25-2	BF6N.25-5	274	66	11.54	17
	900	56	BF8N.25-2	BF8N.25-5	297	59.5	11.54	17
0.33	3600	56	BF2N.33-2	BF2N.33-5	239	74	11.54	17
	1800	56	BF4N.33-2	BF4N.33-5	230	68	11.54	17
	1200	56	BF6N.33-2	BF6N.33-5	294	66	11.54	17
	900	56	BF8N.33-2	BF8N.33-5	297	62	11.54	17
0.5	3600	56	BF2N.50-2	BF2N.50-5	254	74	11.54	17
	1800	56	BF4N.50-2	BF4N.50-5	235	68	11.54	17
	1200	56	BF6N.50-2	BF6N.50-5	297	70	11.54	17
	900	56	BF8N.50-2	BF8N.50-5	317	66	11.54	17
0.75	3600	56	BF2N.75-2	BF2N.75-5	274	74	11.54	17
	1800	56	BF4N.75-2	BF4N.75-5	250	75.5	11.54	17
	1200	56	BF6N.75-2	BF6N.75-5	317	75	11.54	17
1	3600	56	BF2N001-2	BF2N001-5	290	78.5	11.54	21
	1800	56	BF4N001-2	BF4N001-5	286	82.5	11.54	21
1.5	3600	56	BF2N1.5-2	BF2N1.5-5	295	82.5	11.54	21
	1800	56	BF4N1.5-2	BF4N1.5-5	317	84	11.54	21

Note: C Flanges may not be available from stock & could be supplied as stock modification

Discount Category **10**



NEMA 56C Frame

Performance - Page 77
 Dimensions - Page 67-68

C Face Mounted With Removable Feet
3PH, 60 Hz
Aluminum Construction



Features:

- NEMA MG1-PART 31 Inverter Duty
- 15:1 Constant Torque
- Service Factor 1.25
- IP55 degree of protection
- VPI Impregnation
- Internal Tropicproof
- Removable/ Repositional Feet for easy F1, F2, F3 or Round Body configuration
- Class F insulation
- Dual Rated 60/50Hz
- Split conduit box is 90° rotatable
- Warranty: 1 Year
- CSA approved for Class I ; Division 2 ; Groups A,B,C & D,T3

HP	RPM	FRAME	C FACE MODELS		LIST	FL EFF.	C Dim. (IN)	LBS
			208-230/460V	575V				
0.25	1800	56C	BF4N.25-2C	BF4N.25-5C	\$241	66	11.54	17
	1200	56C	BF6N.25-2C	BF6N.25-5C	290	66	11.54	17
	900	56C	BF8N.25-2C	BF8N.25-5C	315	59.5	11.54	17
0.33	3600	56C	BF2N.33-2C	BF2N.33-5C	253	74	11.54	17
	1800	56C	BF4N.33-2C	BF4N.33-5C	244	68	11.54	17
	1200	56C	BF6N.33-2C	BF6N.33-5C	311	66	11.54	17
0.5	900	56C	BF8N.33-2C	BF8N.33-5C	315	62	11.54	17
	3600	56C	BF2N.50-2C	BF2N.50-5C	270	74	11.54	17
	1800	56C	BF4N.50-2C	BF4N.50-5C	249	68	11.54	17
0.75	1200	56C	BF6N.50-2C	BF6N.50-5C	315	70	11.54	17
	900	56C	BF8N.50-2C	BF8N.50-5C	336	66	11.54	17
	3600	56C	BF2N.75-2C	BF2N.75-5C	290	74	11.54	17
1	1800	56C	BF4N.75-2C	BF4N.75-5C	266	75.5	11.54	17
	1200	56C	BF6N.75-2C	BF6N.75-5C	336	75	11.54	17
	3600	56C	BF2N001-2C	BF2N001-5C	307	78.5	11.54	21
1.5	1800	56C	BF4N001-2C	BF4N001-5C	303	82.5	11.54	21
	3600	56C	BF2N1.5-2C	BF2N1.5-5C	313	82.5	11.54	21
	1800	56C	BF4N1.5-2C	BF4N1.5-5C	336	84	11.54	21

Note: C Flanges may not be available from stock & could be supplied as stock modification

Discount Category **10**



NEMA Frame

Foot Mounted
3PH, 60 Hz
Aluminum Construction

Performance - Page 77
Dimensions - Page 67-68



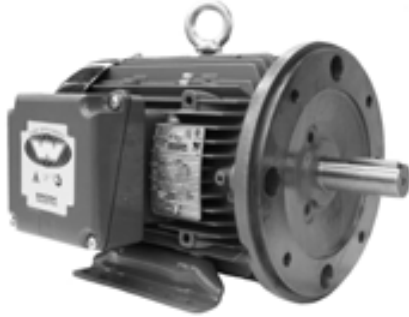
Features:

- NEMA MG1-PART 31 Inverter Duty
15:1 Constant Torque, 20:1 Variable Torque
- Service Factor 1.25
- IP55 degree of protection
- VPI Impregnation
- Internal Tropicproof
- Removable/ Re-positional Feet for easy F1, F2, F3 or Round Body configuration
- Double drilled feet for dual mounting
- Class F insulation
- Dual Rated 60/50Hz
- Split conduit box is 90° rotatable
- Warranty: 3 Years
- CSA approved for Class I ; Division 2; Groups A,B,C & D,T3
- Thermistors included in motors 254T & above. 1 per phase

HP	RPM	Frame	208/416V	230/460V	575V	List	FL EFF.	C Dim. (IN)	LBS
1	1800	143/5T	BA4N001-3	BA4N001-4	BA4N001-5	\$444	85.5	14.18	38
	1200	143/5T	BA6N001-3	BA6N001-4	BA6N001-5	499	85.5	14.18	54
1.5	3600	143/5T	BA2N1.5-3	BA2N1.5-4	BA2N1.5-5	467	84	14.18	38
	1800	143/5T	BA4N1.5-3	BA4N1.5-4	BA4N1.5-5	482	86.5	14.18	54
	1200	182/4T	BA6N1.5-3	BA6N1.5-4	BA6N1.5-5	672	87.5	15.43	69
2	3600	143/5T	BA2N002-3	BA2N002-4	BA2N002-5	517	85.5	14.18	54
	1800	143/5T	BA4N002-3	BA4N002-4	BA4N002-5	516	86.5	14.18	54
	1200	182/4T	BA6N002-3	BA6N002-4	BA6N002-5	719	88.5	16.27	73
3	3600	182/4T	BA2N003-3	BA2N003-4	BA2N003-5	684	86.5	15.43	69
	1800	182/4T	BA4N003-3	BA4N003-4	BA4N003-5	690	89.5	15.43	69
	1200	213/5T	BA6N003-3	BA6N003-4	BA6N003-5	947	89.5	19.30	123
5	3600	182/4T	BA2N005-3	BA2N005-4	BA2N005-5	750	88.5	16.27	73
	1800	182/4T	BA4N005-3	BA4N005-4	BA4N005-5	698	89.5	16.27	73
	1200	213/5T	BA6N005-3	BA6N005-4	BA6N005-5	1,235	89.5	19.30	130
7.5	3600	213/5T	BA2N7.5-3	BA2N7.5-4	BA2N7.5-5	964	89.5	19.30	123
	1800	213/5T	BA4N7.5-3	BA4N7.5-4	BA4N7.5-5	1,009	91.7	19.30	123
	1200	254/6T	BA6N7.5-3	BA6N7.5-4	BA6N7.5-5	1,617	91	23.44	196
10	3600	213/5T	BA2N010-3	BA2N010-4	BA2N010-5	1,209	90.2	19.30	130
	1800	213/5T	BA4N010-3	BA4N010-4	BA4N010-5	1,228	91.7	19.30	130
	1200	254/6T	BA6N010-3	BA6N010-4	BA6N010-5	2,013	91	23.44	238
15	3600	254/6T	BA2N015-3	BA2N015-4	BA2N015-5	1,777	91	23.44	196
	1800	254/6T	BA4N015-3	BA4N015-4	BA4N015-5	1,790	92.4	23.44	196
	1200	284/6T	BA6N015-3	BA6N015-4	BA6N015-5	2,497	91.7	26.34	276
20	3600	254/6T	BA2N020-3	BA2N020-4	BA2N020-5	2,050	91	23.44	238
	1800	254/6T	BA4N020-3	BA4N020-4	BA4N020-5	2,070	93	23.44	238
	1200	284/6T	BA6N020-3	BA6N020-4	BA6N020-5	3,062	91.7	26.34	323
25	3600	284/6TS	BA2N025-3	BA2N025-4	BA2N025-5	2,441	91.7	24.97	276
	1800	284/6T	BA4N025-3	BA4N025-4	BA4N025-5	2,472	93.6	26.34	276
30	3600	284/6TS	BA2N030-3	BA2N030-4	BA2N030-5	2,921	91.7	24.97	323
	1800	284/6T	BA4N030-3	BA4N030-4	BA4N030-5	2,983	93.6	26.34	323

Note: C & D Flanges may not be available from stock & could be supplied as stock modification

Discount Category **16**



NEMA Frame

C Face Mounted With Removable Feet
3PH, 60 Hz
Aluminum Construction



Features:

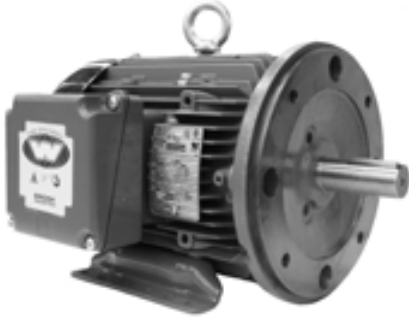
- NEMA MG1-PART 31 Inverter Duty
 15:1 Constant Torque, 20:1 Variable Torque
- Service Factor 1.25
- IP55 degree of protection
- VPI Impregnation
- Internal Tropicproof
- Removable/ Repositional Feet for easy F1, F2, F3 or Round Body configuration
- Double drilled feet for dual mounting
- Class F insulation
- Dual Rated 60/50Hz
- Split conduit box is 90° rotatable
- Warranty: 3 Years
- CSA approved for Class I ; Division 2; Groups A,B,C & D,T3
- Thermistors included in motors 254T & above. 1 per phase

HP	RPM	Frame	208/416V	230/460V	575V	List	FL EFF.	C Dim. (IN)	LBS
1	1800	143/5TC	BA4N001-3C	BA4N001-4C	BA4N001-5C	\$489	85.5	14.18	38
	1200	143/5TC	BA6N001-3C	BA6N001-4C	BA6N001-5C	544	85.5	14.18	54
1.5	3600	143/5TC	BA2N1.5-3C	BA2N1.5-4C	BA2N1.5-5C	512	84	14.18	38
	1800	143/5TC	BA4N1.5-3C	BA4N1.5-4C	BA4N1.5-5C	527	86.5	14.18	54
	1200	182/4TC	BA6N1.5-3C	BA6N1.5-4C	BA6N1.5-5C	737	87.5	15.43	69
2	3600	143/5TC	BA2N002-3C	BA2N002-4C	BA2N002-5C	562	85.5	14.18	54
	1800	143/5TC	BA4N002-3C	BA4N002-4C	BA4N002-5C	561	86.5	14.18	54
	1200	182/4TC	BA6N002-3C	BA6N002-4C	BA6N002-5C	784	88.5	16.27	73
3	3600	182/4TC	BA2N003-3C	BA2N003-4C	BA2N003-5C	749	86.5	15.43	69
	1800	182/4TC	BA4N003-3C	BA4N003-4C	BA4N003-5C	755	89.5	15.43	69
	1200	213/5TC	BA6N003-3C	BA6N003-4C	BA6N003-5C	1,047	89.5	19.30	123
5	3600	182/4TC	BA2N005-3C	BA2N005-4C	BA2N005-5C	815	88.5	16.27	73
	1800	182/4TC	BA4N005-3C	BA4N005-4C	BA4N005-5C	763	89.5	16.27	73
	1200	213/5TC	BA6N005-3C	BA6N005-4C	BA6N005-5C	1,335	89.5	19.30	130
7.5	3600	213/5TC	BA2N7.5-3C	BA2N7.5-4C	BA2N7.5-5C	1,064	89.5	19.30	123
	1800	213/5TC	BA4N7.5-3C	BA4N7.5-4C	BA4N7.5-5C	1,109	91.7	19.30	123
	1200	254/6TC	BA6N7.5-3C	BA6N7.5-4C	BA6N7.5-5C	1,805	91	23.44	196
10	3600	213/5TC	BA2N010-3C	BA2N010-4C	BA2N010-5C	1,309	90.2	19.30	130
	1800	213/5TC	BA4N010-3C	BA4N010-4C	BA4N010-5C	1,328	91.7	19.30	130
	1200	254/6TC	BA6N010-3C	BA6N010-4C	BA6N010-5C	2,201	91	23.44	238
15	3600	254/6TC	BA2N015-3C	BA2N015-4C	BA2N015-5C	1,967	91	23.44	196
	1800	254/6TC	BA4N015-3C	BA4N015-4C	BA4N015-5C	1,977	92.4	23.44	196
	1200	284/6TC	BA6N015-3C	BA6N015-4C	BA6N015-5C	2,692	91.7	26.34	276
20	3600	254/6TC	BA2N020-3C	BA2N020-4C	BA2N020-5C	2,239	91	23.44	238
	1800	254/6TC	BA4N020-3C	BA4N020-4C	BA4N020-5C	2,256	93	23.44	238
	1200	284/6TC	BA6N020-3C	BA6N020-4C	BA6N020-5C	3,259	91.7	26.34	323
25	3600	284/6TSC	BA2N025-3C	BA2N025-4C	BA2N025-5C	2,548	91.7	24.97	276
	1800	284/6TC	BA4N025-3C	BA4N025-4C	BA4N025-5C	2,694	93.6	26.34	276
30	3600	284/6TSC	BA2N030-3C	BA2N030-4C	BA2N030-5C	3,139	91.7	24.97	323
	1800	284/6TC	BA4N030-3C	BA4N030-4C	BA4N030-5C	3,190	93.6	26.34	323

Note: C Flanges may not be available from stock & could be supplied as stock modification

Discount Category 16

Performance - Page 77
Dimensions - Page 67-68



NEMA Frame

D Flange Mounted With Removable Feet
3PH, 60 Hz
Aluminum Construction



Features:

- NEMA MG1-PART 31 Inverter Duty
15:1 Constant Torque, 20:1 Variable Torque
- Service Factor 1.25
- IP55 degree of protection
- VPI Impregnation
- Internal Tropicproof
- Removable/ Repositional Feet for easy F1, F2, F3 or Round Body configuration
- Double drilled feet for dual mounting
- Class F insulation
- Dual Rated 60/50Hz
- Split conduit box is 90° rotatable
- Warranty: 3 Years
- CSA approved for Class I ; Division 2; Groups A,B,C & D,T3
- Thermistors included in motors 254T & above. 1 per phase

HP	RPM	Frame	208/416V	230/460V	575V	List	FL EFF.	C Dim. (IN)	LBS
1	1800	143/5TD	BA4N001-3D	BA4N001-4D	BA4N001-5D	\$489	85.5	14.18	38
	1200	143/5TD	BA6N001-3D	BA6N001-4D	BA6N001-5D	544	85.5	14.18	54
1.5	3600	143/5TD	BA2N1.5-3D	BA2N1.5-4D	BA2N1.5-5D	512	84	14.18	38
	1800	143/5TD	BA4N1.5-3D	BA4N1.5-4D	BA4N1.5-5D	527	86.5	14.18	54
2	1200	182/4TD	BA6N1.5-3D	BA6N1.5-4D	BA6N1.5-5D	737	87.5	15.43	69
	3600	143/5TD	BA2N002-3D	BA2N002-4D	BA2N002-5D	562	85.5	14.18	54
2	1800	143/5TD	BA4N002-3D	BA4N002-4D	BA4N002-5D	561	86.5	14.18	54
	1200	182/4TD	BA6N002-3D	BA6N002-4D	BA6N002-5D	784	88.5	16.27	73
3	3600	182/4TD	BA2N003-3D	BA2N003-4D	BA2N003-5D	749	86.5	15.43	69
	1800	182/4TD	BA4N003-3D	BA4N003-4D	BA4N003-5D	755	89.5	15.43	69
3	1200	213/5TD	BA6N003-3D	BA6N003-4D	BA6N003-5D	1,047	89.5	19.30	123
	3600	182/4TD	BA2N005-3D	BA2N005-4D	BA2N005-5D	815	88.5	16.27	73
5	1800	182/4TD	BA4N005-3D	BA4N005-4D	BA4N005-5D	763	89.5	16.27	73
	1200	213/5TD	BA6N005-3D	BA6N005-4D	BA6N005-5D	1,335	89.5	19.30	130
7.5	3600	213/5TD	BA2N7.5-3D	BA2N7.5-4D	BA2N7.5-5D	1,064	89.5	19.30	123
	1800	213/5TD	BA4N7.5-3D	BA4N7.5-4D	BA4N7.5-5D	1,109	91.7	19.30	123
7.5	1200	254/6TD	BA6N7.5-3D	BA6N7.5-4D	BA6N7.5-5D	1,805	91	23.44	196
	3600	213/5TD	BA2N010-3D	BA2N010-4D	BA2N010-5D	1,309	90.2	19.30	130
10	1800	213/5TD	BA4N010-3D	BA4N010-4D	BA4N010-5D	1,328	91.7	19.30	130
	1200	254/6TD	BA6N010-3D	BA6N010-4D	BA6N010-5D	2,201	91	23.44	238
15	3600	254/6TD	BA2N015-3D	BA2N015-4D	BA2N015-5D	1,967	91	23.44	196
	1800	254/6TD	BA4N015-3D	BA4N015-4D	BA4N015-5D	1,977	92.4	23.44	196
15	1200	284/6TD	BA6N015-3D	BA6N015-4D	BA6N015-5D	2,692	91.7	26.34	276
	3600	254/6TD	BA2N020-3D	BA2N020-4D	BA2N020-5D	2,239	91	23.44	238
20	1800	254/6TD	BA4N020-3D	BA4N020-4D	BA4N020-5D	2,256	93	23.44	238
	1200	284/6TD	BA6N020-3D	BA6N020-4D	BA6N020-5D	3,259	91.7	26.34	323
25	3600	284/6TSD	BA2N025-3D	BA2N025-4D	BA2N025-5D	2,548	91.7	24.97	276
	1800	284/6TD	BA4N025-3D	BA4N025-4D	BA4N025-5D	2,694	93.6	26.34	276
30	3600	284/6TSD	BA2N030-3D	BA2N030-4D	BA2N030-5D	3,139	91.7	24.97	323
	1800	284/6TD	BA4N030-3D	BA4N030-4D	BA4N030-5D	3,190	93.6	26.34	323

Note: D Flanges may not be available from stock & could be supplied as stock modification

Discount Category **16**

Performance - Page 78
 Dimensions - Page 67-68



NEMA Frame
Foot Mounted
3PH, 60 Hz
Cast Iron Construction



Features:

- NEMA MG1-PART 31 Inverter Duty
 15:1 Constant Torque, 20:1 Variable Torque
- Severe Duty
- Service Factor 1.25
- IP55 degree of protection
- VPI Impregnation
- Internal Tropicproof
- Removable/ Repositional Feet for easy F1, F2, F3 or Round Body configuration
- Double drilled feet for dual mounting 286T and below
- Class F insulation
- Dual Rated 60/50Hz
- Split conduit box is 90° rotatable
- Warranty: 3 Years
- CSA approved for Class I ; Division 2 ;
 Groups A,B,C & D,T3
- Thermistors included in motors 254T & above. 1 per phase

HP	RPM	FRAME	230/460V	575V	LIST	FL EFF.	C Dim. (IN)	LBS
1	1800	143/5T	BC4N001-4	BC4N001-5	\$402	85.5	14.18	56
	1200	143/5T	BC6N001-4	BC6N001-5	453	82.5	14.18	67
1.5	3600	143/5T	BC2N1.5-4	BC2N1.5-5	424	84	14.18	56
	1800	143/5T	BC4N1.5-4	BC4N1.5-5	438	86.5	14.18	67
	1200	182/4T	BC6N1.5-4	BC6N1.5-5	611	87.5	15.43	104
2	3600	143/5T	BC2N002-4	BC2N002-5	470	85.5	14.18	67
	1800	143/5T	BC4N002-4	BC4N002-5	469	86.5	14.18	67
	1200	182/4T	BC6N002-4	BC6N002-5	653	88.5	16.27	123
3	3600	182/4T	BC2N003-4	BC2N003-5	621	86.5	15.43	104
	1800	182/4T	BC4N003-4	BC4N003-5	627	89.5	15.43	104
	1200	213/5T	BC6N003-4	BC6N003-5	860	89.5	19.30	173
5	3600	182/4T	BC2N005-4	BC2N005-5	681	88.5	16.27	123
	1800	182/4T	BC4N005-4	BC4N005-5	634	89.5	16.27	123
	1200	213/5T	BC6N005-4	BC6N005-5	1,121	89.5	19.30	195
7.5	3600	213/5T	BC2N7.5-4	BC2N7.5-5	875	89.5	19.30	173
	1800	213/5T	BC4N7.5-4	BC4N7.5-5	916	91.7	19.30	173
	1200	254/6T	BC6N7.5-4	BC6N7.5-5	1,469	91	23.44	293
10	3600	213/5T	BC2N010-4	BC2N010-5	1,098	90.2	19.30	195
	1800	213/5T	BC4N010-4	BC4N010-5	1,115	91.7	19.30	195
	1200	254/6T	BC6N010-4	BC6N010-5	1,828	91	23.44	333
15	3600	254/6T	BC2N015-4	BC2N015-5	1,614	91	23.44	293
	1800	254/6T	BC4N015-4	BC4N015-5	1,626	92.4	23.44	293
	1200	284/6T	BC6N015-4	BC6N015-5	2,268	91.7	26.34	395
20	3600	254/6T	BC2N020-4	BC2N020-5	1,862	91	23.44	333
	1800	254/6T	BC4N020-4	BC4N020-5	1,880	93	23.44	333
	1200	284/6T	BC6N020-4	BC6N020-5	2,781	91.7	26.34	408
25	3600	284/6TS	BC2N025-4	BC2N025-5	2,217	91.7	24.97	395
	1800	284/6T	BC4N025-4	BC4N025-5	2,245	93.6	26.34	395
	1200	324T	BC6N025-4	BC6N025-5	3,541	93	32.75	650
30	3600	284/6TS	BC2N030-4	BC2N030-5	2,653	91.7	24.97	408
	1800	284/6T	BC4N030-4	BC4N030-5	2,709	93.6	26.34	408
	1200	326T	BC6N030-4	BC6N030-5	4,097	93	32.75	750
40	3600	324TS	BC2N040-4	BC2N040-5	3,467	93	31.25	650
	1800	324T	BC4N040-4	BC4N040-5	3,496	94.1	32.75	650
	1200	364T	BC6N040-4	BC6N040-5	5,284	94.1	32.75	914

Note: C & D Flanges may not be available from stock & could be supplied as stock modification

Discount Category **55**



NEMA Frame

Performance - Page 78
Dimensions - Page 67-68

Foot Mounted
3PH, 60 Hz
Cast Iron Construction



Features:

- NEMA MG1-PART 31 Inverter Duty
 - 15:1 Constant Torque, 20:1 Variable Torque
- Severe Duty
- Service Factor 1.25
- IP55 degree of protection
- VPI Impregnation
- Internal Tropicproof
- Removable/ Repositional Feet for easy F1, F2, F3 or Round Body configuration
- Double drilled feet for dual mounting 286T and below
- Class F insulation
- Dual Rated 60/50Hz
- Split conduit box is 90° rotatable
- Warranty: 3 Years
- CSA approved for Class I ; Division 2 ; Groups A,B,C & D,T3
- Thermistors included in motors 254T & above. 1 per phase

HP	RPM	FRAME	230/460V	575V	LIST	FL EFF.	C Dim. (IN)	LBS
50	3600	326TS	BC2N050-4	BC2N050-5	\$3,978	93.6	32.75	750
	1800	326T	BC4N050-4	BC4N050-5	4,118	94.5	34.25	750
	1200	365T	BC6N050-4	BC6N050-5	6,107	94.1	38.50	1050
60	3600	364TS	BC2N060-4	BC2N060-5	5,547	93.6	34.25	914
	1800	364T	BC4N060-4	BC4N060-5	5,431	95	36.38	914
	1200	404T	BC6N060-4	BC6N060-5	7,509	94.5	42.25	1384
75	3600	365TS	BC2N075-4	BC2N075-5	6,381	93.6	34.25	1050
	1800	365T	BC4N075-4	BC4N075-5	7,023	95.4	38.50	1050
	1200	405T	BC6N075-4	BC6N075-5	8,402	94.5	44	1384
100	3600	405TS	BC2N100-4	BC2N100-5	8,637	94.1	41	1384
	1800	405T	BC4N100-4	BC4N100-5	8,391	95.4	44	1384
	1200	444T	BC6N100-4	BC6N100-5	11,308	95	47	1512
125	3600	444TS	BC2N125-9	BC2N125-5	11,772	95	43.25	1512
	1800	444T	BC4N125-9	BC4N125-5	12,242	95.4	47	1512
	1200	445T	BC6N125-9	BC6N125-5	13,402	95	49.63	1896
150	3600	445TS	BC2N150-9	BC2N150-5	13,001	95	45.88	1896
	1800	445T	BC4N150-9	BC4N150-5	14,288	95.8	49.63	1896
	1200	447T	BC6N150-9	BC6N150-5	19,134	95.8	49.63	2300
200	3600	447TS	BC2N200-9	BC2N200-5	17,729	95.4	45.88	2300
	1800	447T	BC4N200-9	BC4N200-5	18,997	96.2	49.63	2300
250	3600	505SZ	BC2N250-9	BC2N250-5	22,998	-	50.50	2533
	1800	505Z	BC4N250-9	BC4N250-5	24,145	-	54.50	2533
300	3600	585SZ	BC2N300-9	BC2N300-5	35,813	-	58	4400
	1800	585Z	BC4N300-9	BC4N300-5	38,494	-	60.25	4400
350	3600	585SZ	BC2N350-9	BC2N350-5	36,765	-	58	4400
	1800	585Z	BC4N350-9	BC4N350-5	40,423	-	60.25	4400
400	3600	586SZ	BC2N400-9	BC2N400-5	41,197	-	62.75	5080
	1800	586Z	BC4N400-9	BC4N400-5	41,652	-	65	5080
500	3600	586SZ	BC2N500-9	BC2N500-5	43,750	-	62.75	5080
	1800	586Z	BC4N500-9	BC4N500-5	43,980	-	65	5080

Note: Models above 250HP Call For Quote
Models ending in -9 are 460V

Note: C & D Flanges may not be available from stock & could be supplied as stock modification

Discount Category **55**

Performance - Page 78
 Dimensions - Page 67-68



NEMA Frame
C Face Mounted With Removable Feet
3PH, 60 Hz
Cast Iron Construction



Features:

- NEMA MG1-PART 31 Inverter Duty
- 15:1 Constant Torque, 20:1 Variable Torque
- Severe Duty
- Service Factor 1.25
- IP55 degree of protection
- VPI Impregnation
- Internal Tropicproof
- Removable/ Repositional Feet for easy F1, F2, F3 or Round Body configuration
- Double drilled feet for dual mounting 286T and below
- Class F insulation
- Dual Rated 60/50Hz
- Split conduit box is 90° rotatable
- Warranty: 3 Years
- CSA approved for Class I ; Division 2 ; Groups A,B,C & D,T3
- Thermistors included in motors 254T & above. 1 per phase

HP	RPM	FRAME	C FACE		LIST	FL EFF.	C Dim. (IN)	LBS
			230/460V	575V				
1	1800	143/5TC	BC4N001-4C	BC4N001-5C	\$447	85.5	14.18	56
	1200	143/5TC	BC6N001-4C	BC6N001-5C	498	82.5	14.18	67
1.5	3600	143/5TC	BC2N1.5-4C	BC2N1.5-5C	469	84	14.18	56
	1800	143/5TC	BC4N1.5-4C	BC4N1.5-5C	483	86.5	14.18	67
	1200	182/4TC	BC6N1.5-4C	BC6N1.5-5C	676	87.5	15.43	104
2	3600	143/5TC	BC2N002-4C	BC2N002-5C	515	85.5	14.18	67
	1800	143/5TC	BC4N002-4C	BC4N002-5C	514	86.5	14.18	67
	1200	182/4TC	BC6N002-4C	BC6N002-5C	718	88.5	16.27	123
3	3600	182/4TC	BC2N003-4C	BC2N003-5C	686	86.5	15.43	104
	1800	182/4TC	BC4N003-4C	BC4N003-5C	692	89.5	15.43	104
	1200	213/5TC	BC6N003-4C	BC6N003-5C	960	89.5	19.30	173
5	3600	182/4TC	BC2N005-4C	BC2N005-5C	746	88.5	16.27	123
	1800	182/4TC	BC4N005-4C	BC4N005-5C	699	89.5	16.27	123
	1200	213/5TC	BC6N005-4C	BC6N005-5C	1,221	89.5	19.30	195
7.5	3600	213/5TC	BC2N7.5-4C	BC2N7.5-5C	975	89.5	19.30	173
	1800	213/5TC	BC4N7.5-4C	BC4N7.5-5C	1,016	91.7	19.30	173
	1200	254/6TC	BC6N7.5-4C	BC6N7.5-5C	1,609	91	23.44	293
10	3600	213/5TC	BC2N010-4C	BC2N010-5C	1,198	90.2	19.30	195
	1800	213/5TC	BC4N010-4C	BC4N010-5C	1,215	91.7	19.30	195
	1200	254/6TC	BC6N010-4C	BC6N010-5C	1,968	91	23.44	333
15	3600	254/6TC	BC2N015-4C	BC2N015-5C	1,754	91	23.44	293
	1800	254/6TC	BC4N015-4C	BC4N015-5C	1,766	92.4	23.44	293
	1200	284/6TC	BC6N015-4C	BC6N015-5C	2,488	91.7	26.34	395
20	3600	254/6TC	BC2N020-4C	BC2N020-5C	2,002	91	23.44	333
	1800	254/6TC	BC4N020-4C	BC4N020-5C	2,020	93	23.44	333
	1200	284/6TC	BC6N020-4C	BC6N020-5C	3,001	91.7	26.34	408
25	3600	284/6TSC	BC2N025-4C	BC2N025-5C	2,437	91.7	24.97	395
	1800	284/6TC	BC4N025-4C	BC4N025-5C	2,465	93.6	26.34	395
	1200	324TC	BC6N025-4C	BC6N025-5C	3,801	93	32.75	650
30	3600	284/6TSC	BC2N030-4C	BC2N030-5C	2,873	91.7	24.97	408
	1800	284/6TC	BC4N030-4C	BC4N030-5C	2,929	93.6	26.34	408
	1200	326TC	BC6N030-4C	BC6N030-5C	4,357	93	32.75	750
40	3600	324TSC	BC2N040-4C	BC2N040-5C	3,727	93	31.25	650
	1800	324TC	BC4N040-4C	BC4N040-5C	3,756	94.1	32.75	650
	1200	364TC	BC6N040-4C	BC6N040-5C	5,674	94.1	32.75	914

Note: C & D Flanges may not be available from stock & could be supplied as stock modification

Discount Category **55**



NEMA Frame

Performance - Page 78
Dimensions - Page 67-68

C Face Mounted With Removable Feet
3PH, 60 Hz
Cast Iron Construction



Features:

- NEMA MG1-PART 31 Inverter Duty
15:1 Constant Torque, 20:1 Variable Torque
- Severe Duty
- Service Factor 1.25
- IP55 degree of protection
- VPI Impregnation
- Internal Tropicproof
- Removable/ Repositional Feet for easy F1, F2, F3 or Round Body configuration
- Double drilled feet for dual mounting 286T and below
- Class F insulation
- Dual Rated 60/50Hz
- Split conduit box is 90° rotatable
- Warranty: 3 Years
- CSA approved for Class I ; Division 2 ; Groups A,B,C & D,T3
- Thermistors included in motors 254T & above. 1 per phase

HP	RPM	FRAME	C FACE		LIST	FL EFF.	C Dim. (IN)	LBS
			230/460V	575V				
50	3600	326TSC	BC2N050-4C	BC2N050-5C	\$4,238	93.6	32.75	750
	1800	326TC	BC4N050-4C	BC4N050-5C	4,378	94.5	34.25	750
	1200	365TC	BC6N050-4C	BC6N050-5C	6,497	94.1	38.50	1050
60	3600	364TSC	BC2N060-4C	BC2N060-5C	5,937	93.6	34.25	914
	1800	364TC	BC4N060-4C	BC4N060-5C	5,821	95	36.38	914
	1200	404TC	BC6N060-4C	BC6N060-5C	8,129	94.5	42.25	1384
75	3600	365TSC	BC2N075-4C	BC2N075-5C	6,771	93.6	34.25	1050
	1800	365TC	BC4N075-4C	BC4N075-5C	7,413	95.4	38.50	1050
	1200	405TC	BC6N075-4C	BC6N075-5C	9,022	94.5	44	1384
100	3600	405TSC	BC2N100-4C	BC2N100-5C	9,257	94.1	41	1384
	1800	405TC	BC4N100-4C	BC4N100-5C	9,011	95.4	44	1384
	1200	444TC	BC6N100-4C	BC6N100-5C	12,448	95	47	1512
125	3600	444TSC	BC2N125-9C	BC2N125-5C	12,912	95	43.25	1512
	1800	444TC	BC4N125-9C	BC4N125-5C	13,382	95.4	47	1512
	1200	445TC	BC6N125-9C	BC6N125-5C	14,182	95	49.63	1896
150	3600	445TSC	BC2N150-9C	BC2N150-5C	14,141	95	45.88	1896
	1800	445TC	BC4N150-9C	BC4N150-5C	15,428	95.8	49.63	1896
	1200	447TC	BC6N150-9C	BC6N150-5C	20,274	95.8	49.63	2300
200	3600	447TSC	BC2N200-9C	BC2N200-5C	18,869	95.4	45.88	2300
	1800	447TC	BC4N200-9C	BC4N200-5C	20,137	96.2	49.63	2300
250	3600	505TSC	BC2N250-9C	BC2N250-5C	24,128	-	50.50	2533
	1800	505TC	BC4N250-9C	BC4N250-5C	25,285	-	54.50	2533
300	3600	585S2C	BC2N300-9C	BC2N300-5C	37,962	-	58	4400
	1800	585ZC	BC4N300-9C	BC4N300-5C	40,804	-	60.25	4400
350	3600	585S2C	BC2N350-9C	BC2N350-5C	38,971	-	58	4400
	1800	585ZC	BC4N350-9C	BC4N350-5C	42,849	-	60.25	4400
400	3600	586S2C	BC2N400-9C	BC2N400-5C	43,669	-	62.75	5080
	1800	586ZC	BC4N400-9C	BC4N400-5C	44,152	-	65	5080
500	3600	586S2C	BC2N500-9C	BC2N500-5C	46,375	-	62.75	5080
	1800	586ZC	BC4N500-9C	BC4N500-5C	46,619	-	65	5080

Note: Models above 250HP Call For Quote
Models ending in -9C or -9D are 460V

Note: C & D Flanges may not be available from stock & could be supplied as stock modification

Discount Category **55**



NEMA Frame

Performance - Page 78
 Dimensions - Page 67-68

D Flange Mounted With Removable Feet
3PH, 60 Hz
Cast Iron Construction



Features:

- NEMA MG1-PART 31 Inverter Duty
 15:1 Constant Torque, 20:1 Variable Torque
- Severe Duty
- Service Factor 1.25
- IP55 degree of protection
- VPI Impregnation
- Internal Tropicproof
- Removable/ Repositional Feet for easy F1, F2, F3 or Round Body configuration
- Double drilled feet for dual mounting 286T and below
- Class F insulation
- Dual Rated 60/50Hz
- Split conduit box is 90° rotatable
- Warranty: 3 Years
- CSA approved for Class I ; Division 2 ; Groups A,B,C & D, T3
- Thermistors included in motors 254T & above. 1 per phase

HP	RPM	FRAME	D FLANGE		LIST	FL EFF.	C Dim. (IN)	LBS
			230/460V	575V				
1	1800	143/5TD	BC4N001-4D	BC4N001-5D	\$447	85.5	14.18	56
	1200	143/5TD	BC6N001-4D	BC6N001-5D	498	82.5	14.18	67
1.5	3600	143/5TD	BC2N1.5-4D	BC2N1.5-5D	469	84	14.18	56
	1800	143/5TD	BC4N1.5-4D	BC4N1.5-5D	483	86.5	14.18	67
2	1200	182/4TD	BC6N1.5-4D	BC6N1.5-5D	676	87.5	15.43	104
	3600	143/5TD	BC2N002-4D	BC2N002-5D	515	85.5	14.18	67
2	1800	143/5TD	BC4N002-4D	BC4N002-5D	514	86.5	14.18	67
	1200	182/4TD	BC6N002-4D	BC6N002-5D	718	88.5	16.27	123
3	3600	182/4TD	BC2N003-4D	BC2N003-5D	686	86.5	15.43	104
	1800	182/4TD	BC4N003-4D	BC4N003-5D	692	89.5	15.43	104
3	1200	213/5TD	BC6N003-4D	BC6N003-5D	960	89.5	19.30	173
	3600	182/4TD	BC2N005-4D	BC2N005-5D	746	88.5	16.27	123
5	1800	182/4TD	BC4N005-4D	BC4N005-5D	699	89.5	16.27	123
	1200	213/5TD	BC6N005-4D	BC6N005-5D	1,221	89.5	19.30	195
7.5	3600	213/5TD	BC2N7.5-4D	BC2N7.5-5D	975	89.5	19.30	173
	1800	213/5TD	BC4N7.5-4D	BC4N7.5-5D	1,016	91.7	19.30	173
7.5	1200	254/6TD	BC6N7.5-4D	BC6N7.5-5D	1,609	91	23.44	293
	3600	213/5TD	BC2N010-4D	BC2N010-5D	1,198	90.2	19.30	195
10	1800	213/5TD	BC4N010-4D	BC4N010-5D	1,215	91.7	19.30	195
	1200	254/6TD	BC6N010-4D	BC6N010-5D	1,968	91	23.44	333
15	3600	254/6TD	BC2N015-4D	BC2N015-5D	1,754	91	23.44	293
	1800	254/6TD	BC4N015-4D	BC4N015-5D	1,766	92.4	23.44	293
15	1200	284/6TD	BC6N015-4D	BC6N015-5D	2,488	91.7	26.34	395
	3600	254/6TD	BC2N020-4D	BC2N020-5D	2,002	91	23.44	333
20	1800	254/6TD	BC4N020-4D	BC4N020-5D	2,020	93	23.44	333
	1200	284/6TD	BC6N020-4D	BC6N020-5D	3,001	91.7	26.34	408
25	3600	284/6TSD	BC2N025-4D	BC2N025-5D	2,437	91.7	24.97	395
	1800	284/6TD	BC4N025-4D	BC4N025-5D	2,465	93.6	26.34	395
25	1200	324TD	BC6N025-4D	BC6N025-5D	3,801	93	32.75	650
	3600	284/6TSD	BC2N030-4D	BC2N030-5D	2,873	91.7	24.97	408
30	1800	284/6TD	BC4N030-4D	BC4N030-5D	2,929	93.6	26.34	408
	1200	326TD	BC6N030-4D	BC6N030-5D	4,357	93	32.75	750
40	3600	324TSD	BC2N040-4D	BC2N040-5D	3,727	93	31.25	650
	1800	324TD	BC4N040-4D	BC4N040-5D	3,756	94.1	32.75	650
40	1200	364TD	BC6N040-4D	BC6N040-5D	5,674	94.1	32.75	914

Note: C & D Flanges may not be available from stock & could be supplied as stock modification

Discount Category **55**



NEMA Frame

D Flange Mounted With Removable Feet
3PH, 60 Hz
Cast Iron Construction

Performance - Page 78
Dimensions - Page 67-68



Features:

- NEMA MG1-PART 31 Inverter Duty
15:1 Constant Torque, 20:1 Variable Torque
- Severe Duty
- Service Factor 1.25
- IP55 degree of protection
- VPI Impregnation
- Internal Tropicproof
- Removable/ Re-positional Feet for easy F1, F2, F3 or Round Body configuration
- Double drilled feet for dual mounting
286T and below
- Class F insulation
- Dual Rated 60/50Hz
- Split conduit box is 90° rotatable
- Warranty: 3 Years
- CSA approved for Class I ; Division 2 ; Groups A,B,C & D,T3
- Thermistors included in motors
254T & above. 1 per phase

HP	RPM	FRAME	D FLANGE		LIST	FL EFF.	C Dim. (IN)	LBS
			230/460V	575V				
50	3600	326TSD	BC2N050-4D	BC2N050-5D	\$4,238	93.6	32.75	750
	1800	326TD	BC4N050-4D	BC4N050-5D	4,378	94.5	34.25	750
	1200	365TD	BC6N050-4D	BC6N050-5D	6,497	94.1	38.50	1050
60	3600	364TSD	BC2N060-4D	BC2N060-5D	5,937	93.6	34.25	914
	1800	364TD	BC4N060-4D	BC4N060-5D	5,821	95	36.38	914
	1200	404TD	BC6N060-4D	BC6N060-5D	8,129	94.5	42.25	1384
75	3600	365TSD	BC2N075-4D	BC2N075-5D	6,771	93.6	34.25	1050
	1800	365TD	BC4N075-4D	BC4N075-5D	7,413	95.4	38.50	1050
	1200	405TD	BC6N075-4D	BC6N075-5D	9,022	94.5	44	1384
100	3600	405TSD	BC2N100-4D	BC2N100-5D	9,257	94.1	41	1384
	1800	405TD	BC4N100-4D	BC4N100-5D	9,011	95.4	44	1384
	1200	444TD	BC6N100-4D	BC6N100-5D	12,448	95	47	1512
125	3600	444TSD	BC2N125-9D	BC2N125-5D	12,912	95	43.25	1512
	1800	444TD	BC4N125-9D	BC4N125-5D	13,382	95.4	47	1512
	1200	445TD	BC6N125-9D	BC6N125-5D	14,182	95	49.63	1896
150	3600	445TSD	BC2N150-9D	BC2N150-5D	14,141	95	45.88	1896
	1800	445TD	BC4N150-9D	BC4N150-5D	15,428	95.8	49.63	1896
	1200	447TD	BC6N150-9D	BC6N150-5D	20,274	95.8	49.63	2300
200	3600	447TSD	BC2N200-9D	BC2N200-5D	18,869	95.4	45.88	2300
	1800	447TD	BC4N200-9D	BC4N200-5D	20,137	96.2	49.63	2300
250	3600	505TSD	BC2N250-9D	BC2N250-5D	24,128	-	50.50	2533
	1800	505TD	BC4N250-9D	BC4N250-5D	25,285	-	54.50	2533
300	3600	585S2D	BC2N300-9D	BC2N300-5D	P.O.R	-	58	4400
	1800	585ZD	BC4N300-9D	BC4N300-5D	P.O.R	-	60.25	4400
350	3600	585S2D	BC2N350-9D	BC2N350-5D	P.O.R	-	58	4400
	1800	585ZD	BC4N350-9D	BC4N350-5D	P.O.R	-	60.25	4400
400	3600	586S2D	BC2N400-9D	BC2N400-5D	P.O.R	-	62.75	5080
	1800	586ZD	BC4N400-9D	BC4N400-5D	P.O.R	-	65	5080
450	3600	586S2D	BC2N450-9D	BC2N450-5D	P.O.R	-	62.75	5080
	1800	586ZD	BC4N450-9D	BC4N450-5D	P.O.R	-	65	5080
500	3600	586S2D	BC2N500-9D	BC2N500-5D	P.O.R	-	62.75	5080
	1800	586Z	BC4N500-9D	BC4N500-5D	P.O.R	-	65	5080

Note: Models above 250HP Call For Quote
Models ending in -9C or -9D are 460V

Note: C & D Flanges may not be available from stock & could be supplied as stock modification

Discount Category **55**



IEC Frame
B3 Foot Mounted
3PH, 60 Hz
Aluminum Construction

Performance - Page 81
 Dimensions - Page 69-70



Features:

- NEMA MG1-PART 31 Inverter Duty
 15:1 Constant Torque, 20:1 Variable Torque
- Service Factor 1.25
- IP55 degree of protection
- VPI Impregnation
- Internal Tropicproof
- Removable/ Repositional Feet for easy F1, F2, F3 or Round Body configuration
- Double drilled feet for dual mounting
- Dual Rated 60/50Hz
- Split conduit box is 90° rotatable
- Warranty: 3 Years
- CSA approved for Class I ; Division 2 ; Groups A,B,C & D,T3
- Thermistors included in motors
 160M frame & above. 1 per phase

HP	KW	RPM	FRAME	230/460V	575V	LIST	FL EFF.	L Dim. (mm)	LBS
0.25	0.18	3600	63	BA2M.25-4	BA2M.25-5	\$202	64	207	10
		1800	63	BA4M.25-4	BA4M.25-5	212	58	207	10
		1200	71	BA6M.25-4	BA6M.25-5	261	61	238	14
		900	80	BA8M.25-4	BA8M.25-5	371	57	278	21
0.33	0.25	3600	63	BA2M.33-4	BA2M.33-5	213	65	207	10
		1800	71	BA4M.33-4	BA4M.33-5	259	70	238	14
		1200	71	BA6M.33-4	BA6M.33-5	276	68	238	14
		900	80	BA8M.33-4	BA8M.33-5	427	62	278	21
0.5	0.37	3600	71	BA2M.50-4	BA2M.50-5	256	71	238	14
		1800	71	BA4M.50-4	BA4M.50-5	277	73	238	14
		1200	80	BA6M.50-4	BA6M.50-5	343	65	278	21
		900	90S/L	BA8M.50-4	BA8M.50-5	474	62	364	38
0.75	0.55	3600	71	BA2M.75-4	BA2M.75-5	273	74	238	14
		1800	80	BA4M.75-4	BA4M.75-5	340	77	278	21
		1200	80	BA6M.75-4	BA6M.75-5	372	71	278	21
		900	90S/L	BA8M.75-4	BA8M.75-5	544	66	364	54
1	0.75	3600	80	BA2M001-4	BA2M001-5	397	78	278	21
		1800	80	BA4M001-4	BA4M001-5	401	77	278	21
		1200	90S/L	BA6M001-4	BA6M001-5	566	80	364	38
1.5	1.1	3600	80	BA2M1.5-4	BA2M1.5-5	453	79	278	21
		1800	90S/L	BA4M1.5-4	BA4M1.5-5	549	86.5	364	38
2	1.5	3600	90S/L	BA2M002-4	BA2M002-5	568	85.5	364	38
		1800	90S/L	BA4M002-4	BA4M002-5	624	86.5	364	54
		1200	100L	BA6M002-4	BA6M002-5	797	88.5	409	60
3	2.2	3600	90S/L	BA2M003-4	BA2M003-5	642	86.5	364	54
		1800	100L	BA4M003-4	BA4M003-5	768	89.5	409	60
		1200	112M	BA6M003-4	BA6M003-5	1,041	89.5	402	73

Note: 1 HP & 1.5 HP 80 frame are exempt from E.I.S.A. legislation

Note: C & D Flanges may not be available from stock & could be supplied as stock modification

Discount Category **17**



IEC Frame B3 Foot Mounted 3PH, 60 Hz Aluminum Construction

Performance - Page 81
Dimensions - Page 69-70



Features:

- NEMA MG1-PART 31 Inverter Duty
15:1 Constant Torque, 20:1 Variable Torque
- Service Factor 1.25
- IP55 degree of protection
- VPI Impregnation
- Internal Tropicproof
- Removable/ Re-positional Feet for easy F1, F2, F3 or Round Body configuration
- Double drilled feet for dual mounting
- Class F insulation
- Dual Rated 60/50Hz
- Split conduit box is 90° rotatable
- Warranty: 3 Years
- CSA approved for Class I ; Division 2 ; Groups A,B,C & D,T3
- Thermistors included in motors
160M frame & above. 1 per phase

HP	KW	RPM	FRAME	230/460V	575V	LIST	FL EFF.	L Dim. (mm)	LBS
4	3	3600	100L	BA2M004-4	BA2M004-5	\$831	88.5	409	60
		1800	100L	BA4M004-4	BA4M004-5	840	89.5	409	60
		1200	132S/M	BA6M004-4	BA6M004-5	1,333	89.5	484	123
5.5	4	3600	112M	BA2M5.5-4	BA2M5.5-5	965	88.5	402	73
		1800	112M	BA4M5.5-4	BA4M5.5-5	957	89.5	402	73
		1200	132S/M	BA6M5.5-4	BA6M5.5-5	1,570	89.5	484	130
7.5	5.5	3600	132S/M	BA2M7.5-4	BA2M7.5-5	1,248	89.5	484	123
		1800	132S/M	BA4M7.5-4	BA4M7.5-5	1,348	91.7	484	123
		1200	132S/M	BA6M7.5-4	BA6M7.5-5	1,789	91	484	130
10	7.5	3600	132S/M	BA2M010-4	BA2M010-5	1,366	90.2	484	123
		1800	132S/M	BA4M010-4	BA4M010-5	1,694	91.7	484	130
		1200	160M/L	BA6M010-4	BA6M010-5	2,453	91	604	196
15	11	3600	160M/L	BA2M015-4	BA2M015-5	2,295	91	604	196
		1800	160M/L	BA4M015-4	BA4M015-5	2,399	92.4	604	196
		1200	160M/L	BA6M015-4	BA6M015-5	3,161	91.7	604	238
20	15	3600	160M/L	BA2M020-4	BA2M020-5	2,574	91	604	196
		1800	160M/L	BA4M020-4	BA4M020-5	2,950	93	604	238
		1200	180M/L	BA6M020-4	BA6M020-5	3,732	91.7	663	323
25	18.5	3600	160M/L	BA2M025-4	BA2M025-5	2,931	91.7	604	238
		1800	180M/L	BA4M025-4	BA4M025-5	3,324	93.6	663	276
30	22	3600	180M/L	BA2M030-4	BA2M030-5	3,778	91.7	663	276
		1800	180M/L	BA4M030-4	BA4M030-5	4,334	93.6	663	323

Note: C & D Flanges may not be available from stock & could be supplied as stock modification

Discount Category **17**



IEC Frame
B14 (C Face) & B5 (D Flange) With
Removable Feet
3PH, 60 Hz
Aluminum Construction



Features:

- NEMA MG1-PART 31 Inverter Duty
15:1 Constant Torque, 20:1 Variable Torque
- Service Factor 1.25
- IP55 degree of protection
- VPI Impregnation
- Internal Tropicproof
- Removable/ Repositional Feet for easy F1, F2, F3 or Round Body configuration
- Double drilled feet for dual mounting
- Class F insulation
- Dual Rated 60/50Hz
- Split conduit box is 90° rotatable
- Warranty: 3 Years
- CSA approved for Class I ;
Division 2; Groups A,B,C & D,T3
- Thermistors included in motors
160M frame & above. 1 per phase

HP	KW	RPM	FRAME	C FACE - WITH FEET (B14)		D FLANGE - WITH FEET (B5)		LIST	FL EFF.	L Dim. (mm)	LBS
				230/460V	575V	230/460V	575V				
0.25	0.18	3600	63	BA2M.25-4C	BA2M.25-5C	BA2M.25-4D	BA2M.25-5D	\$242	64	207	10
		1800	63	BA4M.25-4C	BA4M.25-5C	BA4M.25-4D	BA4M.25-5D	252	58	207	10
		1200	71	BA6M.25-4C	BA6M.25-5C	BA6M.25-4D	BA6M.25-5D	301	61	238	14
		900	80	BA8M.25-4C	BA8M.25-5C	BA8M.25-4D	BA8M.25-5D	416	57	278	21
0.33	0.25	3600	63	BA2M.33-4C	BA2M.33-5C	BA2M.33-4D	BA2M.33-5D	253	65	207	10
		1800	71	BA4M.33-4C	BA4M.33-5C	BA4M.33-4D	BA4M.33-5D	299	70	238	14
		1200	71	BA6M.33-4C	BA6M.33-5C	BA6M.33-4D	BA6M.33-5D	316	68	238	14
		900	80	BA8M.33-4C	BA8M.33-5C	BA8M.33-4D	BA8M.33-5D	472	62	278	21
0.5	0.37	3600	71	BA2M.50-4C	BA2M.50-5C	BA2M.50-4D	BA2M.50-5D	296	71	238	14
		1800	71	BA4M.50-4C	BA4M.50-5C	BA4M.50-4D	BA4M.50-5D	317	73	238	14
		1200	80	BA6M.50-4C	BA6M.50-5C	BA6M.50-4D	BA6M.50-5D	388	65	278	21
		900	90S/L	BA8M.50-4C	BA8M.50-5C	BA8M.50-4D	BA8M.50-5D	524	62	364	38
0.75	0.55	3600	71	BA2M.75-4C	BA2M.75-5C	BA2M.75-4D	BA2M.75-5D	318	74	238	14
		1800	80	BA4M.75-4C	BA4M.75-5C	BA4M.75-4D	BA4M.75-5D	385	77	278	21
		1200	80	BA6M.75-4C	BA6M.75-5C	BA6M.75-4D	BA6M.75-5D	417	71	278	21
		900	90S/L	BA8M.75-4C	BA8M.75-5C	BA8M.75-4D	BA8M.75-5D	594	66	364	54
1	0.75	3600	80	BA2M001-4C	BA2M001-5C	BA2M001-4D	BA2M001-5D	442	78	278	21
		1800	80	BA4M001-4C	BA4M001-5C	BA4M001-4D	BA4M001-5D	446	77	278	21
		1200	90S/L	BA6M001-4C	BA6M001-5C	BA6M001-4D	BA6M001-5D	616	80	364	38
1.5	1.1	3600	80	BA2M1.5-4C	BA2M1.5-5C	BA2M1.5-4D	BA2M1.5-5D	503	79	278	21
		1800	90S/L	BA4M1.5-4C	BA4M1.5-5C	BA4M1.5-4D	BA4M1.5-5D	599	86.5	364	38
2	1.5	3600	90S/L	BA2M002-4C	BA2M002-5C	BA2M002-4D	BA2M002-5D	618	85.5	364	38
		1800	90S/L	BA4M002-4C	BA4M002-5C	BA4M002-4D	BA4M002-5D	674	86.5	364	54
		1200	100L	BA6M002-4C	BA6M002-5C	BA6M002-4D	BA6M002-5D	867	88.5	409	60
3	2.2	3600	90S/L	BA2M003-4C	BA2M003-5C	BA2M003-4D	BA2M003-5D	692	86.5	364	54
		1800	100L	BA4M003-4C	BA4M003-5C	BA4M003-4D	BA4M003-5D	838	89.5	409	60
		1200	112M	BA6M003-4C	BA6M003-5C	BA6M003-4D	BA6M003-5D	1,111	89.5	402	73

Note: 1 HP & 1.5 HP 80 frame are exempt from E.I.S.A. legislation

Note: C & D Flanges may not be available from stock & could be supplied as stock modification

Discount Category **17**

Performance - Page 81
Dimensions - Page 69-70



IEC Frame B14 (C Face) & B5 (D Flange) With Removable Feet 3PH, 60 Hz Aluminum Construction



Features:

- NEMA MG1-PART 31 Inverter Duty
15:1 Constant Torque, 20:1 Variable Torque
- Service Factor 1.25
- IP55 degree of protection
- VPI Impregnation
- Internal Tropicproof
- Removable/ Repositional Feet for easy F1, F2, F3 or Round Body configuration
- Double drilled feet for dual mounting
- Class F insulation
- Dual Rated 60/50Hz
- Split conduit box is 90° rotatable
- Warranty: 3 Years
- CSA approved for Class I ;
Division 2; Groups A,B,C & D,T3
- Thermistors included in motors
160M frame & above. 1 per phase

HP	KW	RPM	FRAME	C FACE - WITH FEET (B14)		D FLANGE - WITH FEET (B5)		LIST	FL EFF.	L Dim. (mm)	LBS
				230/460V	575V	230/460V	575V				
4	3	3600	100L	BA2M004-4C	BA2M004-5C	BA2M004-4D	BA2M004-5D	\$901	88.5	409	60
		1800	100L	BA4M004-4C	BA4M004-5C	BA4M004-4D	BA4M004-5D	910	89.5	409	60
		1200	132S/M	BA6M004-4C	BA6M004-5C	BA6M004-4D	BA6M004-5D	1,458	89.5	484	123
5.5	4	3600	112M	BA2M5.5-4C	BA2M5.5-5C	BA2M5.5-4D	BA2M5.5-5D	1,045	88.5	402	73
		1800	112M	BA4M5.5-4C	BA4M5.5-5C	BA4M5.5-4D	BA4M5.5-5D	1,037	89.5	402	73
		1200	132S/M	BA6M5.5-4C	BA6M5.5-5C	BA6M5.5-4D	BA6M5.5-5D	1,695	89.5	484	130
7.5	5.5	3600	132S/M	BA2M7.5-4C	BA2M7.5-5C	BA2M7.5-4D	BA2M7.5-5D	1,373	89.5	484	123
		1800	132S/M	BA4M7.5-4C	BA4M7.5-5C	BA4M7.5-4D	BA4M7.5-5D	1,473	91.7	484	123
		1200	132S/M	BA6M7.5-4C	BA6M7.5-5C	BA6M7.5-4D	BA6M7.5-5D	1,914	91	484	130
10	7.5	3600	132S/M	BA2M010-4C	BA2M010-5C	BA2M010-4D	BA2M010-5D	1,491	90.2	484	123
		1800	132S/M	BA4M010-4C	BA4M010-5C	BA4M010-4D	BA4M010-5D	1,819	91.7	484	130
		1200	160M/L	BA6M010-4C	BA6M010-5C	BA6M010-4D	BA6M010-5D	2,678	91	604	196
15	11	3600	160M/L	BA2M015-4C	BA2M015-5C	BA2M015-4D	BA2M015-5D	2,520	91	604	196
		1800	160M/L	BA4M015-4C	BA4M015-5C	BA4M015-4D	BA4M015-5D	2,624	92.4	604	196
		1200	160M/L	BA6M015-4C	BA6M015-5C	BA6M015-4D	BA6M015-5D	3,386	91.7	604	238
20	15	3600	160M/L	BA2M020-4C	BA2M020-5C	BA2M020-4D	BA2M020-5D	2,799	91	604	196
		1800	160M/L	BA4M020-4C	BA4M020-5C	BA4M020-4D	BA4M020-5D	3,175	93	604	238
		1200	180M/L			BA6M020-4D	BA6M020-5D	4,052	91.7	663	323
25	18.5	3600	160M/L	BA2M025-4C	BA2M025-5C	BA2M025-4D	BA2M025-5D	3,156	91.7	604	238
		1800	180M/L			BA4M025-4D	BA4M025-5D	3,644	93.6	663	276
30	22	3600	180M/L			BA2M030-4D	BA2M030-5D	4,003	91.7	663	276
		1800	180M/L			BA4M030-4D	BA4M030-5D	4,654	93.6	663	323

Note: C & D Flanges may not be available from stock & could be supplied as stock modification

Discount Category **17**

W PREMIUM EFFICIENCY
Cast Iron Construction - TEFC

BROOK CROMPTON



IEC Frame
B3 Foot Mounted
3PH, 60 Hz
Cast Iron Construction

Performance - Page 82
 Dimensions - Page 69-70



Features:

- NEMA MG1-PART 31 Inverter Duty
15:1 Constant Torque, 20:1 Variable Torque
- Severe Duty
- Service Factor 1.25
- IP55 degree of protection
- VPI Impregnation
- Internal Tropicproof
- Removable/ Re-positional Feet for easy F1, F2, F3 or Round Body configuration
- Double drilled feet for dual mounting 180L and below
- Class F insulation
- Dual Rated 60/50Hz
- Split conduit box is 90° rotatable
- Warranty: 3 Years
- CSA approved for Class I ; Division 2 ; Groups A,B,C & D,T3
- Thermistors included in motors
160M frame & above. 1 per phase

HP	KW	RPM	FRAME	VOLTAGE		LIST	FL EFF.	L Dim. (mm)	LBS
				230/460V	575V				
1	0.75	3600	80	BC2M001-4	BC2M001-5	\$476	77	278	38
		1800	80	BC4M001-4	BC4M001-5	471	85.5	278	38
		1200	90S/L	BC6M001-4	BC6M001-5	566	82.5	364	56
1.5	1.1	3600	80	BC2M1.5-4	BC2M1.5-5	453	84	278	38
		1800	90S/L	BC4M1.5-4	BC4M1.5-5	549	86.5	364	56
2	1.5	3600	90S/L	BC2M002-4	BC2M002-5	568	85.5	364	56
		1800	90S/L	BC4M002-4	BC4M002-5	624	86.5	364	67
		1200	100L	BC6M002-4	BC6M002-5	797	88.5	409	70
3	2.2	3600	90S/L	BC2M003-4	BC2M003-5	642	86.5	364	67
		1800	100L	BC4M003-4	BC4M003-5	768	89.5	409	70
		1200	112M	BC6M003-4	BC6M003-5	1,041	89.5	402	123
4	3	3600	100L	BC2M004-4	BC2M004-5	831	88.5	409	70
		1800	100L	BC4M004-4	BC4M004-5	840	89.5	409	70
		1200	132S/M	BC6M004-4	BC6M004-5	1,333	89.5	484	173
5.5	4	3600	112M	BC2M5.5-4	BC2M5.5-5	965	88.5	402	123
		1800	112M	BC4M5.5-4	BC4M5.5-5	957	89.5	402	123
		1200	132S/M	BC6M5.5-4	BC6M5.5-5	1,570	89.5	484	170
7.5	5.5	3600	132S/M	BC2M7.5-4	BC2M7.5-5	1,248	89.5	484	173
		1800	132S/M	BC4M7.5-4	BC4M7.5-5	1,348	91.7	484	173
		1200	132S/M	BC6M7.5-4	BC6M7.5-5	1,789	91	484	170
10	7.5	3600	132S/M	BC2M010-4	BC2M010-5	1,366	90.2	484	173
		1800	132S/M	BC4M010-4	BC4M010-5	1,694	91.7	484	170
		1200	160M/L	BC6M010-4	BC6M010-5	2,453	91	604	293
15	11	3600	160M/L	BC2M015-4	BC2M015-5	2,295	91	604	293
		1800	160M/L	BC4M015-4	BC4M015-5	2,399	92.4	604	293
		1200	160M/L	BC6M015-4	BC6M015-5	3,161	91.7	604	333
20	15	3600	160M/L	BC2M020-4	BC2M020-5	2,574	91	604	293
		1800	160M/L	BC4M020-4	BC4M020-5	2,950	93	604	333
		1200	180M/L	BC6M020-4	BC6M020-5	3,732	91.7	663	408
25	18.5	3600	160M/L	BC2M025-4	BC2M025-5	2,931	91.7	604	333
		1800	180M/L	BC4M025-4	BC4M025-5	3,324	93.6	663	395
		1200	200L	BC6M025-4	BC6M025-5	4,670	93	810	750
30	22	3600	180M/L	BC2M030-4	BC2M030-5	3,778	91.7	663	395
		1800	180M/L	BC4M030-4	BC4M030-5	4,334	93.6	663	408
		1200	200L	BC6M030-4	BC6M030-5	5,453	93	810	750
40	30	3600	200L	BC2M040-4	BC2M040-5	5,398	93	810	750
		1800	200L	BC4M040-4	BC4M040-5	5,574	94.1	810	750
		1200	225M	BC6M040-4	BC6M040-5	7,174	94.1	875	1050

Note: C & D Flanges may not be available from stock & could be supplied as stock modification

Discount Category **18**



IEC Frame B3 Foot Mounted 3PH, 60 Hz Cast Iron Construction

Performance - Page 82
Dimensions - Page 69-70
*Part Numbers Ending In "S"
Have British Standard
Dimensions. See Page 72 For
These Dimensions

Features:

- NEMA MG1-PART 31 Inverter Duty
15:1 Constant Torque, 20:1 Variable
Torque
- Severe Duty
- Service Factor 1.25
- IP55 degree of protection
- VPI Impregnation
- Internal Tropicproof
- Removable/ Repositional Feet for easy
F1, F2, F3 or Round Body configuration
- Double drilled feet for dual mounting 180L
and below
- Class F insulation
- Dual Rated 60/50Hz
- Split conduit box is 90° rotatable
- Warranty: 3 Years
- CSA approved for Class I ; Division 2 ;
Groups A,B,C & D, T3
- Thermistors included in motors
160M frame & above. 1 per phase

HP	KW	RPM	FRAME	VOLTAGE		LIST	FL EFF.	L Dim. (mm)	LBS
				230/460V	575V				
50	37	3600	200L	BC2M050-4	BC2M050-5	\$5,965	93.6	810	750
		1800	225S	BC4M050-4	BC4M050-5	6,881	94.5	875	914
		1200	250M	BC6M050-4	BC6M050-5	8,833	94.1	985	1384
60	45	3600	225M	BC2M060-4	BC2M060-5	7,453	93.6	885	1050
		1800	225M	BC4M060-4	BC4M060-5	7,698	95	915	1050
		1200	*BS-250M	BC6M060-4S	BC6M060-5S	10,991	93.6	985	1384
		1200	280S	BC6M060-4	BC6M060-5	11,870	94.5	1030	1512
75	55	3600	*BS-250S	BC2M075-4S	BC2M075-5S	9,310	95.4	985	1384
		3600	250M	BC2M075-4	BC2M075-5	9,310	93.6	985	1384
		1800	*BS-250S	BC4M075-4S	BC4M075-5S	9,539	95.4	985	1384
		1800	250M	BC4M075-4	BC4M075-5	9,539	95.4	985	1384
		1200	*BS-280S	BC6M075-4S	BC6M075-5S	12,495	94.1	1030	1512
100	75	1200	280M	BC6M075-4	BC6M075-5	12,495	94.5	1070	1896
		3600	*BS-250M	BC2M100-4S	BC2M100-5S	11,514	94.1	985	1384
		3600	280S	BC2M100-4	BC2M100-5	12,464	94.1	1030	1512
		1800	*BS-250M	BC4M100-4S	BC4M100-5S	11,989	94.1	985	1384
		1800	280SE	BC4M100-4	BC4M100-5	12,948	95.4	1030	1512
125	90	1200	*BS-280M	BC6M100-4S	BC6M100-5S	21,915	94.5	1070	1896
		1200	315S	BC6M100-4	BC6M100-5	23,668	95	1070	2354
		3600	*BS-280S	BC2M125-9S	BC2M125-5S	13,197	95.4	1030	1512
		3600	280M	BC2M125-9	BC2M125-5	13,197	95	1070	1896
		1800	*BS-280S	BC4M125-9S	BC4M125-5S	13,596	95.4	1030	1512
		1800	280M	BC4M125-9	BC4M125-5	13,596	95.4	1070	1896
150	110	1200	*BS-315S	BC6M125-9S	BC6M125-5S	23,852	95	1115	2354
		1200	315M	BC6M125-9	BC6M125-5	23,852	95	1215	2533
		3600	*BS-280M	BC2M150-9S	BC2M150-5S	24,302	95	1070	1896
		3600	315S	BC2M150-9	BC2M150-5	26,246	95	1115	2354
		1800	*BS-280M	BC4M150-9S	BC4M150-5S	22,157	95.4	1070	1896
200	150	1800	315S	BC4M150-9	BC4M150-5	23,930	95.8	1115	2354
		1200	*BS-315M	BC6M150-9S	BC6M150-5S	26,972	95	1215	2533
		1200	315L	BC6M150-9	BC6M150-5	26,972	95.8	1315	2866
		3600	315M	BC2M200-9	BC2M200-5	26,591	95.4	1185	2533
250	185	1800	315M	BC4M200-9	BC4M200-5	27,611	96.2	1215	2533
		3600	315L	BC2M250-9	BC2M250-5	P.O.R.	-	1285	2866
300	225	1800	315L	BC4M250-9	BC4M250-5	P.O.R.	-	1315	2866
		3600	355S	BC2M300-9	BC2M300-5	P.O.R.	-	-	4400
350	260	1800	355S	BC4M300-9	BC4M300-5	P.O.R.	-	-	4400
		3600	355S	BC2M350-9	BC2M350-5	P.O.R.	-	-	4400
400	300	1800	355S	BC4M350-9	BC4M350-5	P.O.R.	-	-	4400
		3600	355M	BC2M400-9	BC2M400-5	P.O.R.	-	-	5080
450	335	1800	355M	BC4M400-9	BC4M400-5	P.O.R.	-	-	5080
		3600	355M	BC2M450-9	BC2M450-5	P.O.R.	-	-	5080
500	375	1800	355M	BC4M450-9	BC4M450-5	P.O.R.	-	-	5080
		3600	355L	BC2M500-9	BC2M500-5	P.O.R.	-	-	5500
		1800	355L	BC4M500-9	BC4M500-5	P.O.R.	-	-	5500

Note: Models above 200HP Call For Quote

Models ending in -9 are 460V

Note: C & D Flanges may not be available from stock & could be supplied as stock modification

Discount Category **18**



IEC Frame
B14 (C Face) & B5 (D Flange) With
Removable Feet
3PH, 60 Hz
Cast Iron Construction

Performance - Page 82
 Dimensions - Page 69-70



Features:

- NEMA MG1-PART 31 Inverter Duty
15:1 Constant Torque, 20:1 Variable Torque
- Severe Duty
- Service Factor 1.25
- IP55 degree of protection
- VPI Impregnation
- Internal Tropicproof
- Removable/ Repositional Feet for easy F1, F2, F3 or Round Body configuration
- Double drilled feet for dual mounting
180L and below
- Class F insulation
- Dual Rated 60/50Hz
- Split conduit box is 90° rotatable
- Warranty: 3 Years
- CSA approved for Class I ;
Division 2; Groups A,B,C & D,T3
- Thermistors included in motors
160M frame & above. 1 per phase

HP	KW	RPM	FRAME	C FACE (B14)		D FLANGE (B5)		LIST	FL EFF.	L Dim. (mm)	LBS
				230/460V	575V	230/460V	575V				
1	0.75	3600	80	BC2M001-4C	BC2M001-5C	BC2M001-4D	BC2M001-5D	\$516	77	278	38
		1800	80	BC4M001-4C	BC4M001-5C	BC4M001-4D	BC4M001-5D	511	85.5	278	38
		1200	90S/L	BC6M001-4C	BC6M001-5C	BC6M001-4D	BC6M001-5D	616	82.5	364	56
1.5	1.1	3600	80	BC2M1.5-4C	BC2M1.5-5C	BC2M1.5-4D	BC2M1.5-5D	493	84	278	38
		1800	90S/L	BC4M1.5-4C	BC4M1.5-5C	BC4M1.5-4D	BC4M1.5-5D	599	86.5	364	56
2	1.5	3600	90S/L	BC2M002-4C	BC2M002-5C	BC2M002-4D	BC2M002-5D	618	85.5	364	56
		1800	90S/L	BC4M002-4C	BC4M002-5C	BC4M002-4D	BC4M002-5D	674	86.5	364	67
		1200	100L	BC6M002-4C	BC6M002-5C	BC6M002-4D	BC6M002-5D	867	88.5	409	70
3	2.2	3600	90S/L	BC2M003-4C	BC2M003-5C	BC2M003-4D	BC2M003-5D	692	86.5	364	67
		1800	100L	BC4M003-4C	BC4M003-5C	BC4M003-4D	BC4M003-5D	838	89.5	409	70
		1200	112M	BC6M003-4C	BC6M003-5C	BC6M003-4D	BC6M003-5D	1,111	89.5	402	123
4	3	3600	100L	BC2M004-4C	BC2M004-5C	BC2M004-4D	BC2M004-5D	901	88.5	409	70
		1800	100L	BC4M004-4C	BC4M004-5C	BC4M004-4D	BC4M004-5D	910	89.5	409	70
		1200	132S/M	BC6M004-4C	BC6M004-5C	BC6M004-4D	BC6M004-5D	1,458	89.5	484	173
5.5	4	3600	112M	BC2M5.5-4C	BC2M5.5-5C	BC2M5.5-4D	BC2M5.5-5D	1,045	88.5	402	123
		1800	112M	BC4M5.5-4C	BC4M5.5-5C	BC4M5.5-4D	BC4M5.5-5D	1,037	89.5	402	123
		1200	132S/M	BC6M5.5-4C	BC6M5.5-5C	BC6M5.5-4D	BC6M5.5-5D	1,695	89.5	484	170
7.5	5.5	3600	132S/M	BC2M7.5-4C	BC2M7.5-5C	BC2M7.5-4D	BC2M7.5-5D	1,373	89.5	484	173
		1800	132S/M	BC4M7.5-4C	BC4M7.5-5C	BC4M7.5-4D	BC4M7.5-5D	1,473	91.7	484	173
		1200	132S/M	BC6M7.5-4C	BC6M7.5-5C	BC6M7.5-4D	BC6M7.5-5D	1,914	91	484	170
10	7.5	3600	132S/M	BC2M010-4C	BC2M010-5C	BC2M010-4D	BC2M010-5D	1,491	90.2	484	173
		1800	132S/M	BC4M010-4C	BC4M010-5C	BC4M010-4D	BC4M010-5D	1,819	91.7	484	170
		1200	160M/L	BC6M010-4C	BC6M010-5C	BC6M010-4D	BC6M010-5D	2,678	91	604	293
15	11	3600	160M/L	BC2M015-4C	BC2M015-5C	BC2M015-4D	BC2M015-5D	2,520	91	604	293
		1800	160M/L	BC4M015-4C	BC4M015-5C	BC4M015-4D	BC4M015-5D	2,624	92.4	604	293
		1200	160M/L	BC6M015-4C	BC6M015-5C	BC6M015-4D	BC6M015-5D	3,386	91.7	604	333

Note: C & D Flanges may not be available from stock & could be supplied as stock modification



IEC Frame B14 (C Face) & B5 (D Flange) With Removable Feet 3PH, 60 Hz Cast Iron Construction

Performance - Page 82
Dimensions - Page 69-70
*Part Numbers Ending In
"SD" Have British Standard
Dimensions. See Page 72 For
These Dimensions

Features:

- NEMA MG1-PART 31 Inverter Duty
15:1 Constant Torque, 20:1 Variable Torque
- Severe Duty
- Service Factor 1.25
- IP55 degree of protection
- VPI Impregnation
- Internal Tropicproof
- Removable/ Repositional Feet for easy F1, F2, F3 or Round Body configuration
- Double drilled feet for dual mounting 180L and below
- Class F insulation
- Dual Rated 60/50Hz
- Split conduit box is 90° rotatable
- Warranty: 3 Years
- CSA approved for Class I ;
Division 2; Groups A,B,C & D,T3
- Thermistors included in motors
160M frame & above. 1 per phase

HP	KW	RPM	FRAME	C FACE (B14)		D FLANGE (B5)		LIST	FL EFF.	L Dim. (mm)	LBS
				230/460V	575V	230/460V	575V				
20	15	3600	160M/L	BC2M020-4C	BC2M020-5C	BC2M020-4D	BC2M020-5D	\$2,799	91	604	293
		1800	160M/L	BC4M020-4C	BC4M020-5C	BC4M020-4D	BC4M020-5D	3,175	93	604	333
		1200	180M/L			BC6M020-4D	BC6M020-5D	4,052	91.7	663	408
25	18.5	3600	160M/L	BC2M025-4C	BC2M025-5C	BC2M025-4D	BC2M025-5D	3,156	91.7	604	333
		1800	180M/L			BC4M025-4D	BC4M025-5D	3,644	93.6	663	395
		1200	200L			BC6M025-4D	BC6M025-5D	5,145	93	810	750
30	22	3600	180M/L			BC2M030-4D	BC2M030-5D	4,003	91.7	663	395
		1800	180M/L			BC4M030-4D	BC4M030-5D	4,654	93.6	663	408
		1200	200L			BC6M030-4D	BC6M030-5D	5,928	93	810	750
40	30	3600	200L			BC2M040-4D	BC2M040-5D	5,873	93	810	750
		1800	200L			BC4M040-4D	BC4M040-5D	6,049	94.1	810	750
		1200	225M			BC6M040-4D	BC6M040-5D	7,829	94.1	875	1050
50	37	3600	200L			BC2M050-4D	BC2M050-5D	6,440	93.6	810	750
		1800	225S			BC4M050-4D	BC4M050-5D	7,536	94.5	875	914
		1200	250S			BC6M050-4D	BC6M050-5D	9,758	94.1	985	1384
60	45	3600	225M			BC2M060-4D	BC2M060-5D	8,108	93.6	885	1050
		1800	225M			BC4M060-4D	BC4M060-5D	8,353	95	915	1050
		1200	*BS-250M			BC6M060-4SD	BC6M060-5SD	11,916	94.5	1030	1512
75	55	1200	280S			BC6M060-4D	BC6M060-5D	12,795	94.1	1030	1512
		3600	*BS-250S			BC2M075-4SD	BC2M075-5SD	10,235	94.1	985	1384
		3600	250M			BC2M075-4D	BC2M075-5D	10,235	93.6	985	1384
		1800	*BS-250S			BC4M075-4SD	BC4M075-5SD	10,464	94.1	985	1384
		1800	250M			BC4M075-4D	BC4M075-5D	10,464	95.4	985	1384
		1200	*BS-280S			BC6M075-4SD	BC6M075-5SD	13,870	94.1	1030	1512
100	75	1200	280M			BC6M075-4D	BC6M075-5D	13,870	94.5	1070	1896
		3600	*BS-250M			BC2M100-4SD	BC2M100-5SD	12,439	95.4	985	1384
		3600	280S			BC2M100-4D	BC2M100-5D	13,839	94.1	1030	1512
		1800	*BS-250M			BC4M100-4SD	BC4M100-5SD	12,914	95.4	985	1384
		1800	280M			BC4M100-4D	BC4M100-5D	14,323	95.4	1030	1512
		1200	*BS-280M			BC6M100-4SD	BC6M100-5SD	23,290	95.4	1030	1512
125	90	1200	315S			BC6M100-4D	BC6M100-5D	26,288	95	1070	2354
		3600	*BS-280S			BC2M125-9SD	BC2M125-5SD	14,572	94.1	1030	1512
		3600	280M			BC2M125-9D	BC2M125-5D	14,572	95	1070	1896
		1800	*BS-280S			BC4M125-9SD	BC4M125-5SD	14,971	94.1	1030	1512
		1800	280M			BC4M125-9D	BC4M125-5D	14,971	95.4	1070	1896
		1200	*BS-315S			BC6M125-9SD	BC6M125-5SD	26,472	95	1070	2354
150	110	1200	315M			BC6M125-9D	BC6M125-5D	26,472	95	1215	2533
		3600	*BS-280M			BC2M150-9SD	BC2M150-5SD	25,677	95	1070	1896
		3600	315S			BC2M150-9D	BC2M150-5D	28,866	95	1115	2354
		1800	*BS-280M			BC4M150-9SD	BC4M150-5SD	23,532	95	1070	1896
		1800	315S			BC4M150-9D	BC4M150-5D	26,010	95.8	1115	2354
		1200	*BS-315M			BC6M150-9SD	BC6M150-5SD	29,592	95	1215	2533
200	150	1200	315L			BC6M150-9D	BC6M150-5D	29,592	95.8	1315	2866
		3600	315M			BC2M200-9D	BC2M200-5D	29,211	95.4	1185	2533
		1800	315M			BC4M200-9D	BC4M200-5D	30,231	96.2	1215	2533

Note: Models above 200HP Call For Quote
Models ending in -9D are 460V

Note: C & D Flanges may not be available from
stock & could be supplied as stock modification

Discount Category **18**



NEMA Frame

**Foot Mounted
3PH, 60 Hz
Cast Iron Construction**

Performance - Page 85
Dimensions - Page 75



2574233

CC134B

Features:

- UL/CSA Approved Class I Div I Group C & D Class II Groups E,F&G T3B 140 - 250T frame
- UL/CSA Approved Class I Div I Group D Class II Groups E,F&G T3B 280T and above
- NEMA MG1 Part 31 Inverter Duty
- UL certified 5:1 constant torque
- CSA certified 10:1 constant torque
- Service Factor 1.15 sine wave power. 1.0 service factor VFD power
- IP55 degree of protection
- NEMA Design B performance
- Class F insulation
- Dual rated 60 / 50 Hz
- Thermostats fitted as standard
- Sealed Ball Bearings 140 - 280T
- Regreasable bearings 320T and above
- Stainless Steel Nameplate
- F1 to F2 convertible
- Warranty: 3 years

HP	RPM	FRAME	208-230/460V	575V	LIST	FL EFF.	C Dim. (IN)	LBS
1	1800	143T	PX4N001-2	PX4N001-5	\$772	85.5	12.47	62
	1200	145T	PX6N001-2	PX6N001-5	857	82.5	13.46	70
1.5	3600	143T	PX2N1.5-2	PX2N1.5-5	833	84	12.47	62
	1800	145T	PX4N1.5-2	PX4N1.5-5	833	86.5	13.46	80
	1200	182T	PX6N1.5-2	PX6N1.5-5	1,011	87.5	14.77	108
2	3600	145T	PX2N002-2	PX2N002-5	889	85.5	13.46	70
	1800	145T	PX4N002-2	PX4N002-5	941	86.5	13.46	70
	1200	184T	PX6N002-2	PX6N002-5	1,188	88.5	15.79	120
3	3600	182T	PX2N003-2	PX2N003-5	1,080	87.5	14.77	108
	1800	182T	PX4N003-2	PX4N003-5	1,136	89.5	14.77	108
	1200	213T	PX6N003-2	PX6N003-5	1,666	89.5	18.09	187
5	3600	184T	PX2N005-2	PX2N005-5	1,310	88.5	15.79	120
	1800	184T	PX4N005-2	PX4N005-5	1,310	89.5	15.79	120
	1200	215T	PX6N005-2	PX6N005-5	1,943	90.2	19.59	211
7.5	3600	213T	PX2N7.5-2	PX2N7.5-5	1,669	89.5	18.09	187
	1800	213T	PX4N7.5-2	PX4N7.5-5	1,728	91.7	18.09	187
	1200	254T	PX6N7.5-2	PX6N7.5-5	2,317	91	23.7	330
10	3600	215T	PX2N010-2	PX2N010-5	1,896	90.2	19.59	211
	1800	215T	PX4N010-2	PX4N010-5	1,943	91.7	19.59	211
	1200	256T	PX6N010-2	PX6N010-5	2,776	91	25.44	376
15	3600	254T	PX2N015-2	PX2N015-5	2,477	91	23.7	330
	1800	254T	PX4N015-2	PX4N015-5	2,599	92.4	23.7	330
	1200	284T	PX6N015-2	PX6N015-5	3,511	91.7	26.8	488
20	3600	256T	PX2N020-2	PX2N020-5	2,776	91	25.44	376
	1800	256T	PX4N020-2	PX4N020-5	2,972	93	25.44	376
	1200	286T	PX6N020-2	PX6N020-5	4,087	91.7	28.3	530
25	3600	284TS	PX2N025-2	PX2N025-5	3,487	91.7	25.43	488
	1800	284T	PX4N025-2	PX4N025-5	3,515	93.6	26.93	488
	1200	324T	PX6N025-2	PX6N025-5	5,435	93	29.93	708

Note: C Flanges may not be available from stock & could be supplied as stock modification

Discount Category **20**



NEMA Frame

Performance - Page 85
Dimensions - Page 75

Foot Mounted

3PH, 60 Hz

Cast Iron Construction



2574233

CC134B

Features:

- UL/CSA Approved Class I Div I Group C & D Class II Groups E,F&G T3B 140 - 250T frame
- UL/CSA Approved Class I Div I Group D Class II Groups E,F&G T3B 280T and above
- NEMA MG1 Part 31 Inverter Duty
- UL certified 5:1 constant torque
- CSA certified 10:1 constant torque
- Service Factor 1.15 sine wave power. 1.0 service factor VFD power
- IP55 degree of protection
- NEMA Design B performance
- Class F insulation
- Dual rated 60 / 50 Hz
- Thermostats fitted as standard
- Sealed Ball Bearings 140 - 280T
- Regreasable bearings 320T and above
- Stainless Steel Nameplate
- F1 to F2 convertible
- Warranty: 3 years

HP	RPM	FRAME	208-230/460V	575V	LIST	FL EFF.	C Dim. (IN)	LBS
30	3600	286TS	PX2N030-2	PX2N030-5	\$4,062	92.4	26.93	530
	1800	286T	PX4N030-2	PX4N030-5	4,466	93.6	28.3	530
	1200	326T	PX6N030-2	PX6N030-5	6,418	93	31.42	781
40	3600	324TS	PX2N040-2	PX2N040-5	5,416	93	28.43	708
	1800	324T	PX4N040-2	PX4N040-5	5,439	94.1	29.93	708
	1200	364T	PX6N040-2	PX6N040-5	8,412	94.1	32.57	946
50	3600	326TS	PX2N050-2	PX2N050-5	6,638	93.6	29.92	781
	1800	326T	PX4N050-2	PX4N050-5	6,436	64.5	31.42	781
	1200	365T	PX6N050-2	PX6N050-5	10,083	94.1	33.55	1019
60	3600	364TS	PX2N060-2	PX2N060-5	8,281	93.6	30.44	946
	1800	364T	PX4N060-2	PX4N060-5	8,398	95	32.57	946
	1200	404T	PX6N060-2	PX6N060-5	11,689	94.5	36.5	1408
75	3600	365TS	PX2N075-2	PX2N075-5	10,795	93.6	31.42	1019
	1800	365T	PX4N075-2	PX4N075-5	10,064	95.4	33.55	1019
	1200	405T	PX6N075-2	PX6N075-5	12,466	94.5	37.99	1408
100	3600	405TS	PX2N100-2	PX2N100-5	14,053	94.5	34.99	1408
	1800	405T	PX4N100-2	PX4N100-5	12,466	95.4	37.99	1408
	1200	444T	PX6N100-2	PX6N100-5	16,538	95	44.4	1650
125	3600	444TS	PX2N125-9	PX2N125-5	17,821	95	40.65	1650
	1800	444T	PX4N125-9	PX4N125-5	16,543	95.4	44.4	1650
	1200	445T	PX6N125-9	PX6N125-5	21,009	95	46.4	1720
150	3600	445TS	PX2N150-9	PX2N150-5	20,672	95	42.65	1720
	1800	445T	PX4N150-9	PX4N150-5	20,898	95.8	46.4	1720

Note: Models ending in -9 are only 460V

Note: C Flanges may not be available from stock & could be supplied as stock modification

Discount Category **20**



NEMA Frame

Performance - Page 85
Dimensions - Page 76

C Face Mounted With Feet
3PH, 60 Hz
Cast Iron Construction



2574233

CC134B

Features:

- UL/CSA Approved Class I Div I Group C & D Class II Groups E,F&G T3B 140 - 250T frame
- UL/CSA Approved Class I Div I Group D Class II Groups E,F&G T3B 280T and above
- NEMA MG1 Part 31 Inverter Duty
- UL certified 5:1 constant torque
- CSA certified 10:1 constant torque
- Service Factor 1.15 sine wave power. 1.0 service factor VFD power
- IP55 degree of protection
- NEMA Design B performance
- Class F insulation
- Dual rated 60 / 50 Hz
- Thermostats fitted as standard
- Sealed Ball Bearings 140 - 280T
- Regreasable bearings 320T and above
- Stainless Steel Nameplate
- F1 to F2 convertible
- Warranty: 3 years

HP	RPM	FRAME	208-230/460V	575V	LIST	FL EFF.	C Dim. (IN)	LBS
1	1800	143TC	PX4N001-2C	PX4N001-5C	\$941	85.5	13	62
	1200	145TC	PX6N001-2C	PX6N001-5C	1,028	82.5	14	70
1.5	3600	143TC	PX2N1.5-2C	PX2N1.5-5C	1,003	84	13	62
	1800	145TC	PX4N1.5-2C	PX4N1.5-5C	1,003	86.5	14	80
2	1200	182TC	PX6N1.5-2C	PX6N1.5-5C	1,284	87.5	16.54	108
	3600	145TC	PX2N002-2C	PX2N002-5C	1,059	85.5	14	70
	1800	145TC	PX4N002-2C	PX4N002-5C	1,111	86.5	14	70
3	1200	184TC	PX6N002-2C	PX6N002-5C	1,460	88.5	16.54	120
	3600	182TC	PX2N003-2C	PX2N003-5C	1,352	87.5	16.54	108
	1800	182TC	PX4N003-2C	PX4N003-5C	1,407	89.5	16.54	108
5	1200	213TC	PX6N003-2C	PX6N003-5C	1,975	89.5	18.78	187
	3600	184TC	PX2N005-2C	PX2N005-5C	1,582	88.5	16.54	120
	1800	184TC	PX4N005-2C	PX4N005-5C	1,582	89.5	16.54	120
7.5	1200	215TC	PX6N005-2C	PX6N005-5C	2,254	90.2	20.28	211
	3600	213TC	PX2N7.5-2C	PX2N7.5-5C	1,979	89.5	18.78	187
	1800	213TC	PX4N7.5-2C	PX4N7.5-5C	2,038	91.7	18.78	187
10	1200	254TC	PX6N7.5-2C	PX6N7.5-5C	2,735	91	24	330
	3600	215TC	PX2N010-2C	PX2N010-5C	2,205	90.2	20.28	211
	1800	215TC	PX4N010-2C	PX4N010-5C	2,254	91.7	20.28	211
15	1200	256TC	PX6N010-2C	PX6N010-5C	3,198	91	25.75	376
	3600	254TC	PX2N015-2C	PX2N015-5C	2,898	91	24	330
	1800	254TC	PX4N015-2C	PX4N015-5C	3,013	92.4	24	330
20	1200	284TC	PX6N015-2C	PX6N015-5C	4,236	91.7	27.44	488
	3600	256TC	PX2N020-2C	PX2N020-5C	3,198	91	25.75	376
	1800	256TC	PX4N020-2C	PX4N020-5C	3,393	93	25.75	376
25	1200	286TC	PX6N020-2C	PX6N020-5C	4,811	91.7	28.94	530
	3600	284TSC	PX2N025-2C	PX2N025-5C	4,212	91.7	26.07	488
	1800	284TC	PX4N025-2C	PX4N025-5C	4,240	93.6	27.44	488
	1200	324TC	PX6N025-2C	PX6N025-5C	6,190	93	31.30	708

Note: C Flanges may not be available from stock & could be supplied as stock modification

Discount Category **20**



NEMA Frame

Performance - Page 85
Dimensions - Page 76

C Face Mounted With Feet

3PH, 60 Hz

Cast Iron Construction



2574233

CC134B

Features:

- UL/CSA Approved Class I Div I Group C & D Class II Groups E, F&G T3B 140 - 250T frame
- UL/CSA Approved Class I Div I Group D Class II Groups E, F&G T3B 280T and above
- NEMA MG1 Part 31 Inverter Duty
- UL certified 5:1 constant torque
- CSA certified 10:1 constant torque
- Service Factor 1.15 sine wave power. 1.0 service factor VFD power
- IP55 degree of protection
- NEMA Design B performance
- Class F insulation
- Dual rated 60 / 50 Hz
- Thermostats fitted as standard
- Sealed Ball Bearings 140 - 280T
- Regreasable bearings 320T and above
- Stainless Steel Nameplate
- F1 to F2 convertible
- Warranty: 3 years

HP	RPM	FRAME	208-230/460V	575V	LIST	FL EFF.	C Dim. (IN)	LBS
30	3600	286TSC	PX2N030-2C	PX2N030-5C	\$4,787	92.4	27.57	530
	1800	286TC	PX4N030-2C	PX4N030-5C	5,191	93.6	28.94	530
	1200	326TC	PX6N030-2C	PX6N030-5C	7,173	93	31.30	781
40	3600	324TSC	PX2N040-2C	PX2N040-5C	6,173	93	29.8	708
	1800	324TC	PX4N040-2C	PX4N040-5C	6,194	94.1	31.30	708
	1200	364TC	PX6N040-2C	PX6N040-5C	9,287	94.1	33.47	946
50	3600	326TSC	PX2N050-2C	PX2N050-5C	7,392	93.6	29.8	781
	1800	326TC	PX4N050-2C	PX4N050-5C	7,194	64.5	31.30	781
	1200	365TC	PX6N050-2C	PX6N050-5C	10,956	94.1	34.45	1019
60	3600	364TSC	PX2N060-2C	PX2N060-5C	9,152	93.6	31.34	946
	1800	364TC	PX4N060-2C	PX4N060-5C	9,270	95	33.47	946
	1200	404TC	PX6N060-2C	PX6N060-5C	13,499	94.5	38.19	1408
75	3600	365TSC	PX2N075-2C	PX2N075-5C	11,670	93.6	32.32	1019
	1800	365TC	PX4N075-2C	PX4N075-5C	10,935	95.4	34.45	1019
	1200	405TC	PX6N075-2C	PX6N075-5C	14,276	94.5	38.19	1408
100	3600	405TSC	PX2N100-2C	PX2N100-5C	15,865	94.5	35.19	1408
	1800	405TC	PX4N100-2C	PX4N100-5C	14,276	95.4	38.19	1408
	1200	444TC	PX6N100-2C	PX6N100-5C	18,975	95	43.90	1650
125	3600	444TSC	PX2N125-9C	PX2N125-5C	20,261	95	40.15	1650
	1800	444TC	PX4N125-9C	PX4N125-5C	18,982	95.4	43.90	1650
	1200	445TC	PX6N125-9C	PX6N125-5C	23,448	95	43.90	1720
150	3600	445TSC	PX2N150-9C	PX2N150-5C	23,110	95	40.15	1720
	1800	445TC	PX4N150-9C	PX4N150-5C	23,337	95.8	43.90	1720

Note: Models ending in -9 are only 460V

Note: C Flanges may not be available from stock & could be supplied as stock modification

Discount Category **20**



**IEC Frame
B3 Foot Mounted
380-415/440-480V, 3PH, 50/60 Hz
Cast Iron Construction**

Performance - Page 87
Dimensions - Page 73-74



Features:

- Motors comply with CENELEC/EURONORM Standards EN60079
- Certified by BASEEFA / ATEX
- Zone 1, Groups IIA & IIB
- Totally Enclosed Fan Cooled Enclosure
- All motors suitable for T4 applications
- Cast Iron Construction
- Class F insulation
- Service Factor 1.0 50Hz
- C & D Flanges available
- F2 to F1 convertible up to 180 frame. 200 and above are F3, F2, F1 convertible
- Warranty: 3 years

HP	KW	RPM	FRAME	380-415V	List	FL EFF.	L Dim. (mm)	LBS
1	0.75	1500	EF90S	258E205C-00	\$1,237	75	308	66
		1000	EF90S	258E305C-00	1,297	65	308	66
1.5	1.1	3000	EF90S	258E106C-00	1,340	78	308	66
		1500	EF90S	258E206C-00	1,237	77	308	66
		1000	EF90L	258E306C-00	1,439	70	333	75
2	1.5	3000	EF90S	258E107C-00	1,340	79	308	66
		1500	EF90L	258E207C-00	1,365	79	333	75
		1000	EF100L	258E307C-00	1,714	76	394	101
3	2.2	3000	EF90L	258E108C-00	1,573	81	333	75
		1500	EF100L	258E208C-00	1,612	81	394	101
		1000	EF112M	258E308C-00	2,161	77	391	128
4	3	3000	EF100L	258E100C-00	1,715	84	394	101
		1500	EF100L	258E200C-00	1,665	83	394	101
		1000	EF132S	258E300C-00	2,618	82	467	176
5.5	4	3000	EF112M	258E109C-00	2,067	85	391	128
		1500	EF112M	258E209C-00	1,947	84.5	391	128
		1000	EF132M	258E309C-00	3,144	83	505	212
7.5	5.5	3000	EF132S	258E110C-00	2,612	87	467	176
		1500	EF132S	258E210C-00	2,393	86	467	176
		1000	EF132M	258E310C-00	3,647	85	505	212
10	7.5	3000	EF132S	258E111C-00	3,051	88	467	176
		1500	EF132M	258E211C-00	2,908	87	505	212
		1000	EF160M	258E311C-00	4,283	87	605	317
15	11	3000	EF160M	258E112C-00	3,643	89	605	317
		1500	EF160M	258E212C-00	3,662	90	605	317
		1000	EF160L	258E312C-00	5,449	87	650	357
20	15	3000	EF160M	258E113C-00	4,236	90	605	317
		1500	EF160L	258E213C-00	4,657	90	650	357
		1000	EF180L	258E313C-00	7,370	87.5	710	492
25	18.5	3000	EF160L	258E114C-00	5,119	91.5	650	357
		1500	EF180M	258E214C-00	5,799	91	672	458
		1000	EF200L	358E314WC-00	9,418	91	810	750
30	22	3000	EF180M	258E115C-00	6,496	91.5	672	458
		1500	EF180L	258E215C-00	6,824	91	710	492
		1000	EF200L	358E315WC-00	12,013	91.5	810	750
40	30	3000	EF200L	358E116WC-00	8,908	92.9	810	750
		1500	EF200L	358E216WC-00	8,484	93.2	810	750
		1000	EF225M	358E316WC-00	14,872	92.7	915	981

Note: For Export Only

Note: C & D Flanges may not be available from stock & could be supplied as stock modification

Performance - Page 87
Dimensions - Page 73-74



IEC Frame B3 Foot Mounted 380-415/440-480V, 3PH, 50/60 Hz Cast Iron Construction



Features:

- Motors comply with CENELEC/EURONORM Standards EN60079
- Certified by BASEEFA / ATEX
- Zone 1, Groups IIA & IIB
- Totally Enclosed Fan Cooled Enclosure
- All motors suitable for T4 applications
- Cast Iron Construction
- Class F insulation
- Service Factor 1.0 50Hz
- C & D Flanges available
- 90-180 frame can be converted to F1 position (comes as F2 standard)
- 200 frame size and larger are F3 and can be converted to F1, F2, or Round Body
- Warranty: 3 years

HP	KW	RPM	FRAME	380-415V	List	FL EFF.	L Dim. (mm)	LBS
50	37	3000	EF200L	358E117WC-00	\$11,295	93.3	810	750
		1500	EF225S	358E217WC-00	10,638	93.6	873	816
		1000	EF250S	358E317WC-00	18,248	93.2	985	1089
60	45	3000	EF225M	358E118WC-00	14,215	93.9	885	981
		1500	EF225M	358E218WC-00	13,162	94.2	915	981
		1000	EF250M	358E318WC-00	21,947	93.4	1030	1530
75	55	3000	EF250S	358E119WC-00	17,262	94.4	985	1089
		1500	EF250S	358E219WC-00	16,440	94.6	985	1089
		1000	EF280S	358E319WC-00	25,644	93.8	1100	1664
100	75	3000	EF250M	358E120WC-00	20,760	95.2	1030	1530
		1500	EF250M	358E220WC-00	19,772	94.9	1030	1530
		1000	EF280M	358E320WC-00	30,115	94.3	1145	1962
125	90	3000	EF280S	358E121WC-00	24,154	95.3	1100	1664
		1500	EF280S	358E221WC-00	23,103	95.2	1100	1664
		1000	EF315S	358E321WC-00	42,667	94.5	1215	2535
150	110	3000	EF280M	358E122WC-00	28,488	95.8	1145	1962
		1500	EF280M	358E222WC-00	27,132	95.6	1145	1962
		1000	EF315M	358E322WC-00	47,827	94.8	1245	2976
200	150	3000	EF315M	358E123WC-00	45,246	96.2	1215	2976
		1500	EF315M	358E223WC-00	43,090	95.9	1245	2976

Note: For Export Only

Note: C & D Flanges may not be available from stock & could be supplied as stock modification

Discount Category **21**



**IEC Frame
B14 (C Face) & B5 (D Flange) With
B3 Base
380-415/440-480V, 3PH, 50/60 Hz
Cast Iron Construction**



Features:

- Motors comply with CENELEC/EURONORM Standards EN60079 Certified by BASEEFA / ATEX
- Zone 1, Groups IIA & IIB
- Totally Enclosed Fan Cooled Enclosure
- All motors suitable for T4 applications
- Cast Iron Construction
- Class F insulation
- Service Factor 1.0 50Hz
- 90-180 frame can be converted to F1 position (comes as F2 standard)
- 200 frame size and larger are F3 and can be converted to F1, F2, or Round Body
- Warranty: 3 years

HP	KW	RPM	FRAME	C FACE (B14)	D FLANGE (B5)	List	FL EFF.	L Dim. (mm)	LBS
1	0.75	1500	EF90S	258E205C-02	258E205C-04	\$1,685	75	308	66
		1000	EF90S	258E305C-02	258E305C-04	1,745	65	308	66
1.5	1.1	3000	EF90S	258E106C-02	258E106C-04	1,788	78	308	66
		1500	EF90S	258E206C-02	258E206C-04	1,685	77	308	66
		1000	EF90L	258E306C-02	258E306C-04	1,887	70	333	75
		3000	EF90S	258E107C-02	258E107C-04	1,788	79	308	66
2	1.5	1500	EF90L	258E207C-02	258E207C-04	1,813	79	333	75
		1000	EF100L	258E307C-02	258E307C-04	2,198	76	394	101
		3000	EF90L	258E108C-02	258E108C-04	2,021	81	333	75
3	2.2	1500	EF100L	258E208C-02	258E208C-04	2,096	81	394	101
		1000	EF112M	258E308C-02	258E308C-04	2,645	77	391	128
		3000	EF100L	258E100C-02	258E100C-04	2,199	84	394	101
4	3	1500	EF100L	258E200C-02	258E200C-04	2,149	83	394	101
		1000	EF132S	258E300C-02	258E300C-04	3,168	82	467	176
		3000	EF112M	258E109C-02	258E109C-04	2,551	85	391	128
5.5	4	1500	EF112M	258E209C-02	258E209C-04	2,431	84.5	391	128
		1000	EF132M	258E309C-02	258E309C-04	3,694	83	505	212
		3000	EF132S	258E110C-02	258E110C-04	3,162	87	467	176
7.5	5.5	1500	EF132S	258E210C-02	258E210C-04	2,943	86	467	176
		1000	EF132M	258E310C-02	258E310C-04	4,197	85	505	212
		3000	EF132S	258E111C-02	258E111C-04	3,601	88	467	176
10	7.5	1500	EF132M	258E211C-02	258E211C-04	3,458	87	505	212
		1000	EF160M	258E311C-02	258E311C-04	5,307	87	605	317
		3000	EF160M	258E112C-02	258E112C-04	4,667	89	605	317
15	11	1500	EF160M	258E212C-02	258E212C-04	4,686	90	605	317
		1000	EF160L	258E312C-02	258E312C-04	6,473	87	650	357
		3000	EF160M	258E113C-02	258E113C-04	5,260	90	605	317
20	15	1500	EF160L	258E213C-02	258E213C-04	5,681	90	650	357
		1000	EF180L		258E313C-04	8,580	87.5	710	492
		3000	EF160L	258E114C-02	258E114C-04	6,143	91.5	650	357
25	18.5	1500	EF180M		258E214C-04	7,009	91	672	458
		1000	EF200L		358E314WC-04	11,528	91	810	750
		3000	EF180M		258E115C-04	7,706	91.5	672	458
30	22	1500	EF180L		258E215C-04	8,034	91	710	492
		1000	EF200L		358E315WC-04	14,123	91.5	810	750
		3000	EF200L		358E116WC-04	11,018	92.9	810	750
40	30	1500	EF200L		358E216WC-04	10,594	93.2	810	750
		1000	EF225M		358E316WC-04	17,604	92.7	915	981

Note: For Export Only

Note: C & D Flanges may not be available from stock & could be supplied as stock modification

Discount Category **21**



IEC Frame B14 (C Face) & B5 (D Flange) With B3 Base 380-415/440-480V, 3PH, 50/60Hz Cast Iron Construction

Performance - Page 87
Dimensions - Page 73-74



Features:

- Motors comply with CENELEC/EURONORM Standards EN60079 Certified by BASEEFA / ATEX
- Zone 1, Groups IIA & IIB
- Totally Enclosed Fan Cooled Enclosure
- All motors suitable for T4 applications
- Cast Iron Construction
- Class F insulation
- Service Factor 1.0 50Hz
- 90-180 frame can be converted to F1 position (comes as F2 standard)
- 200 frame size and larger are F3 and can be converted to F1, F2, or Round Body
- Warranty: 3 years

HP	KW	RPM	FRAME	D FLANGE (B5)	List	FL EFF.	L Dim. (mm)	LBS
50	37	3000	EF200L	358E117WC-04	\$13,405	93.3	810	750
		1500	EF225S	358E217WC-04	13,370	93.6	873	816
		1000	EF250S	358E317WC-04	21,042	93.2	985	1089
60	45	3000	EF225M	358E118WC-04	16,947	93.9	885	981
		1500	EF225M	358E218WC-04	15,894	94.2	915	981
		1000	EF250M	358E318WC-04	24,741	93.4	1030	1530
75	55	3000	EF250S	358E119WC-04	20,056	94.4	985	1089
		1500	EF250S	358E219WC-04	19,234	94.6	985	1089
		1000	EF280S	358E319WC-04	28,820	93.8	1100	1664
100	75	3000	EF250M	358E120WC-04	23,554	95.2	1030	1530
		1500	EF250M	358E220WC-04	22,566	94.9	1030	1530
		1000	EF280M	358E320WC-04	33,291	94.3	1145	1962
125	90	3000	EF280S	358E121WC-04	27,330	95.3	1100	1664
		1500	EF280S	358E221WC-04	26,279	95.2	1100	1664
		1000	EF315S	358E321WC-04	46,247	94.5	1215	2535
150	110	3000	EF280M	358E122WC-04	31,664	95.8	1145	1962
		1500	EF280M	358E222WC-04	30,308	95.6	1145	1962
		1000	EF315M	358E322WC-04	51,407	94.8	1245	2976
200	150	3000	EF315M	358E123WC-04	48,826	96.2	1215	2976
		1500	EF315M	358E223WC-04	46,670	95.9	1245	2976

Note: For Export Only

Note: C & D Flanges may not be available from stock & could be supplied as stock modification

Discount Category **21**



**IEC Frame
B3 Foot Mounted
380-415/440-480V, 3PH, 50/60 Hz
Cast Iron Construction**

Performance - Page 87
Dimensions - Page 73-74



Features:

- Motors comply with CENELEC/EURONORM Standards EN60079 Certified by BASEEFA / ATEX
- Zone 1, Groups IIA & IIB & IIC
- Totally Enclosed Fan Cooled Enclosure
- All motors suitable for T4 applications
- Cast Iron Construction
- Class F insulation
- Service Factor 1.0 50Hz
- C & D Flanges available
- 90-180 frame can be converted to F1 position (comes as F2 standard)
- 200 frame size and larger are F3 and can be converted to F1, F2, or Round Body
- Warranty: 3 years

HP	KW	RPM	FRAME	380-415V	List	FL EFF.	L Dim. (mm)	LBS
1	0.75	1500	EF90S	AC4M001-E	\$1,877	75	308	66
		1000	EF90S	AC6M001-E	1,817	65	308	66
1.5	1.1	3000	EF90S	AC2M1.5-E	1,877	78	308	66
		1500	EF90S	AC4M1.5-E	1,639	77	308	66
		1000	EF90L	AC6M1.5-E	2,015	70	333	75
		3000	EF90S	AC2M002-E	1,874	79	308	66
2	1.5	1500	EF90L	AC4M002-E	1,817	79	333	75
		1000	EF100L	AC6M002-E	2,213	76	394	101
3	2.2	3000	EF90L	AC2M003-E	2,203	81	333	75
		1500	EF100L	AC4M003-E	1,976	81	394	101
		1000	EF112M	AC6M003-E	3,028	77	391	128
4	3	3000	EF100L	AC2M004-E	2,365	84	394	101
		1500	EF100L	AC4M004-E	2,275	83	394	101
		1000	EF132S	AC6M004-E	3,668	82	467	176
5.5	4	3000	EF112M	AC2M5.5-E	2,896	85	391	128
		1500	EF112M	AC4M5.5-E	2,728	84.5	391	128
		1000	EF132M	AC6M5.5-E	4,404	83	505	212
7.5	5.5	3000	EF132S	AC2M7.5-E	3,470	87	467	176
		1500	EF132S	AC4M7.5-E	3,305	86	467	176
		1000	EF132M	AC6M7.5-E	5,109	85	505	212
10	7.5	3000	EF132S	AC2M010-E	4,275	88	467	176
		1500	EF132M	AC4M010-E	4,074	87	505	212
		1000	EF160M	AC6M010-E	6,000	87	605	317
15	11	3000	EF160M	AC2M015-E	5,103	89	605	317
		1500	EF160M	AC4M015-E	5,129	90	605	317
		1000	EF160L	AC6M015-E	7,633	87	650	357
20	15	3000	EF160M	AC2M020-E	5,934	90	605	317
		1500	EF160L	AC4M020-E	6,524	90	650	357
		1000	EF180L	AC6M020-E	10,324	87.5	710	492
25	18.5	3000	EF160L	AC2M025-E	7,171	91.5	650	357
		1500	EF180M	AC4M025-E	8,124	91	672	458
		1000	EF200L	AC6M025-E	13,194	91	810	750
30	22	3000	EF180M	AC2M030-E	9,101	91.5	672	458
		1500	EF180L	AC4M030-E	9,559	91	710	492
		1000	EF200L	AC6M030-E	16,829	91.5	810	750
40	30	3000	EF200L	AC2M040-E	12,479	92.9	810	750
		1500	EF200L	AC4M040-E	11,885	93.2	810	750
		1000	EF225M	AC6M040-E	20,834	92.7	915	981

Note: For Export Only

Note: C & D Flanges may not be available from stock & could be supplied as stock modification

Discount Category **21**



IEC Frame

B3 Foot Mounted

380-415/440-480V, 3PH, 50/60 Hz

Cast Iron Construction

Performance - Page 87

Dimensions - Page 73-74



Features:

- Motors comply with CENELEC/EURONORM Standards EN60079 Certified by BASEEFA / ATEX
- Zone 1, Groups IIA & IIB & IIC
- Totally Enclosed Fan Cooled Enclosure
- All motors suitable for T4 applications
- Cast Iron Construction
- Class F insulation
- Service Factor 1.0 50Hz
- C & D Flanges available
- 90-180 frame can be converted to F1 position (comes as F2 standard)
- 200 frame size and larger are F3 and can be converted to F1, F2, or Round Body
- Warranty: 3 years

HP	KW	RPM	FRAME	380-415V	List	FL EFF.	L Dim. (mm)	LBS
50	37	3000	EF200L	AC2M050-E	\$15,823	93.3	810	750
		1500	EF225S	AC4M050-E	14,903	93.6	873	816
		1000	EF250S	AC6M050-E	25,564	93.2	985	1089
60	45	3000	EF225M	AC2M060-E	19,913	93.9	885	981
		1500	EF225M	AC4M060-E	18,439	94.2	915	981
		1000	EF250M	AC6M060-E	30,746	93.4	1030	1530
75	55	3000	EF250S	AC2M075-E	24,182	94.4	985	1089
		1500	EF250S	AC4M075-E	23,031	94.6	985	1089
		1000	EF280S	AC6M075-E	35,924	93.8	1100	1664
100	75	3000	EF250M	AC2M100-E	29,083	95.2	1030	1530
		1500	EF250M	AC4M100-E	27,712	94.9	1030	1530
		1000	EF280M	AC6M100-E	42,188	94.3	1145	1962
125	90	3000	EF280S	AC2M125-E	33,982	95.3	1100	1664
		1500	EF280S	AC4M125-E	32,365	95.2	1100	1664
		1000	EF315S	AC6M125-E	59,772	94.5	1215	2535
150	110	3000	EF280M	AC2M150-E	39,909	95.8	1145	1962
		1500	EF280M	AC4M150-E	38,009	95.6	1145	1962
		1000	EF315M	AC6M150-E	67,000	94.8	1245	2976
200	150	3000	EF315M	AC2M200-E	63,384	96.2	1215	2976
		1500	EF315M	AC4M200-E	60,365	95.9	1245	2976

Note: For Export Only

Note: C & D Flanges may not be available from stock & could be supplied as stock modification

Discount Category **21**



IEC Frame
B14 (C Face) & B5 (D Flange) With
B3 Base
380-415/440-480V, 3PH, 50/60 Hz
Cast Iron Construction



Features:

- Motors comply with CENELEC/EURONORM Standards EN60079 Certified by BASEEFA / ATEX
- Zone 1, Groups IIA & IIB & IIC
- Totally Enclosed Fan Cooled Enclosure
- All motors suitable for T4 applications
- Cast Iron Construction
- Class F insulation
- Service Factor 1.0 50Hz
- C & D Flanges available
- 90-180 frame can be converted to F1 position (comes as F2 standard)
- 200 frame size and larger are F3 and can be converted to F1, F2, or Round Body
- Warranty: 3 years

HP	KW	RPM	FRAME	C FACE (B14)	D FLANGE (B5)	List	FL EFF.	L Dim. (mm)	LBS
1	0.75	1500	EF90S	AC4M001-EC	AC4M001-ED	\$2,325	75	308	66
		1000	EF90S	AC6M001-EC	AC6M001-ED	2,265	65	308	66
1.5	1.1	3000	EF90S	AC2M1.5-EC	AC2M1.5-ED	2,325	78	308	66
		1500	EF90S	AC4M1.5-EC	AC4M1.5-ED	2,087	77	308	66
		1000	EF90L	AC6M1.5-EC	AC6M1.5-ED	2,463	70	333	75
2	1.5	3000	EF90S	AC2M002-EC	AC2M002-ED	2,322	79	308	66
		1500	EF90L	AC4M002-EC	AC4M002-ED	2,265	79	333	75
		1000	EF100L	AC6M002-EC	AC6M002-ED	2,697	76	394	101
3	2.2	3000	EF90L	AC2M003-EC	AC2M003-ED	2,651	81	333	75
		1500	EF100L	AC4M003-EC	AC4M003-ED	2,460	81	394	101
		1000	EF112M	AC6M003-EC	AC6M003-ED	3,512	77	391	128
4	3	3000	EF100L	AC2M004-EC	AC2M004-ED	2,849	84	394	101
		1500	EF100L	AC4M004-EC	AC4M004-ED	2,759	83	394	101
		1000	EF132S	AC6M004-EC	AC6M004-ED	4,218	82	467	176
5.5	4	3000	EF112M	AC2M5.5-EC	AC2M5.5-ED	3,380	85	391	128
		1500	EF112M	AC4M5.5-EC	AC4M5.5-ED	3,212	84.5	391	128
		1000	EF132M	AC6M5.5-EC	AC6M5.5-ED	4,954	83	505	212
7.5	5.5	3000	EF132S	AC2M7.5-EC	AC2M7.5-ED	4,020	87	467	176
		1500	EF132S	AC4M7.5-EC	AC4M7.5-ED	3,855	86	467	176
		1000	EF132M	AC6M7.5-EC	AC6M7.5-ED	5,659	85	505	212
10	7.5	3000	EF132S	AC2M010-EC	AC2M010-ED	4,825	88	467	176
		1500	EF132M	AC4M010-EC	AC4M010-ED	4,624	87	505	212
		1000	EF160M	AC6M010-EC	AC6M010-ED	7,024	87	605	317
15	11	3000	EF160M	AC2M015-EC	AC2M015-ED	6,127	89	605	317
		1500	EF160M	AC4M015-EC	AC4M015-ED	6,153	90	605	317
		1000	EF160L	AC6M015-EC	AC6M015-ED	8,657	87	650	357
20	15	3000	EF160M	AC2M020-EC	AC2M020-ED	6,958	90	605	317
		1500	EF160L	AC4M020-EC	AC4M020-ED	7,548	90	650	357
		1000	EF180L		AC6M020-ED	11,534	87.5	710	492
25	18.5	3000	EF160L	AC2M025-EC	AC2M025-ED	8,195	91.5	650	357
		1500	EF180M		AC4M025-ED	9,334	91	672	458
		1000	EF200L		AC6M025-ED	15,304	91	810	750
30	22	3000	EF180M		AC2M030-ED	10,311	91.5	672	458
		1500	EF180L		AC4M030-ED	10,769	91	710	492
		1000	EF200L		AC6M030-ED	18,939	91.5	810	750
40	30	3000	EF200L		AC2M040-ED	14,589	92.9	810	750
		1500	EF200L		AC4M040-ED	13,995	93.2	810	750
		1000	EF225M		AC6M040-ED	23,566	92.7	915	981

Note: For Export Only

Note: C & D Flanges may not be available from stock & could be supplied as stock modification

Discount Category **21**

Performance - Page 87
Dimensions - Page 73-74



IEC Frame B14 (C Face) & B5 (D Flange) With B3 Base 380-415/440-480V, 3PH, 50/60Hz Cast Iron Construction



Features:

- Motors comply with CENELEC/EURONORM Standards EN60079 Certified by BASEEFA / ATEX
- Zone 1, Groups IIA & IIB & IIC
- Totally Enclosed Fan Cooled Enclosure
- All motors suitable for T4 applications
- Cast Iron Construction
- Class F insulation
- Service Factor 1.0 50Hz
- C & D Flanges available
- 90-180 frame can be converted to F1 position (comes as F2 standard)
- 200 frame size and larger are F3 and can be converted to F1, F2, or Round Body
- Warranty: 3 years

HP	KW	RPM	FRAME	D FLANGE (B5)	List	FL EFF.	L Dim. (mm)	LBS
50	37	3000	EF200L	AC2M050-ED	\$17,933	93.3	810	750
		1500	EF225S	AC4M050-ED	17,635	93.6	873	816
		1000	EF250S	AC6M050-ED	28,358	93.2	985	1089
60	45	3000	EF225M	AC2M060-ED	22,645	93.9	885	981
		1500	EF225M	AC4M060-ED	21,171	94.2	915	981
		1000	EF250M	AC6M060-ED	33,540	93.4	1030	1530
75	55	3000	EF250S	AC2M075-ED	26,976	94.4	985	1089
		1500	EF250S	AC4M075-ED	25,825	94.6	985	1089
		1000	EF280S	AC6M075-ED	39,100	93.8	1100	1664
100	75	3000	EF250M	AC2M100-ED	31,877	95.2	1030	1530
		1500	EF250M	AC4M100-ED	30,506	94.9	1030	1530
		1000	EF280M	AC6M100-ED	45,364	94.3	1145	1962
125	90	3000	EF280S	AC2M125-ED	37,158	95.3	1100	1664
		1500	EF280S	AC4M125-ED	35,541	95.2	1100	1664
		1000	EF315S	AC6M125-ED	63,352	94.5	1215	2535
150	110	3000	EF280M	AC2M150-ED	43,085	95.8	1145	1962
		1500	EF280M	AC4M150-ED	41,185	95.6	1145	1962
		1000	EF315M	AC6M150-ED	70,580	94.8	1245	2976
200	150	3000	EF315M	AC2M200-ED	66,964	96.2	1215	2976
		1500	EF315M	AC4M200-ED	63,945	95.9	1245	2976

Note: For Export Only

Note: C & D Flanges may not be available from stock & could be supplied as stock modification

Discount Category **21**



IEC Frame
B3 Foot Mounted
380-415/440-480V, 3PH, 50/60 Hz
Cast Iron Construction

Performance - Page 86
 Dimensions - Page 71-72



Features:

- Motors comply with CENELEC/EURONORM Standards EN60079 Certified by BASEEFA / ATEX
- Zone 2, Group II T3 non sparking
- Totally Enclosed Fan Cooled Enclosure
- Cast Iron Construction
- Class F insulation
- C & D Flanges available
- F2 to F1, F3 convertible
- Warranty: 3 years

HP	KW	RPM	FRAME	380-415V	List	FL EFF.	L Dim. (mm)	LBS
1	0.75	1500	W-DF80M	287E205WC-00	\$668	79.6	278	38
		1000	W-DF90S	287E305WC-00	794	75.9	364	56
1.5	1.1	3000	W-DF80M	287E106WC-00	679	79.6	278	38
		1500	W-DF90S	287E206WC-00	780	81.4	364	56
		1000	W-DF90L	287E306WC-00	931	78.1	364	67
2	1.5	3000	W-DF90S	287E107WC-00	819	81.3	364	56
		1500	W-DF90L	287E207WC-00	913	82.8	364	67
		1000	W-DF100L	287E307WC-00	1,212	79.8	409	70
3	2.2	3000	W-DF90L	287E108WC-00	938	83.2	364	67
		1500	W-DF100L	287E208WC-00	1,121	84.3	409	70
		1000	W-DF112M	287E308WC-00	1,495	81.8	442	123
4	3	3000	W-DF100L	287E100WC-00	1,192	84.6	409	70
		1500	W-DF100L	287E200WC-00	1,249	85.5	409	70
		1000	W-DF132S	287E300WC-00	1,922	83.3	484	173
5.5	4	3000	W-DF112M	287E109WC-00	1,409	85.8	442	123
		1500	W-DF112M	287E209WC-00	1,495	86.6	442	123
		1000	W-DF132M	287E309WC-00	2,136	84.6	484	170
7.5	5.5	3000	W-DF132S	287E110WC-00	1,828	87	484	173
		1500	W-DF132S	287E210WC-00	2,024	87.7	484	173
		1000	W-DF132M	287E310WC-00	2,386	86	484	170
10	7.5	3000	W-DF132S	287E111WC-00	2,055	88.1	484	173
		1500	W-DF132M	287E211WC-00	2,263	88.7	484	170
		1000	W-DF160M	287E311WC-00	3,340	87.2	604	293
15	11	3000	W-DF160M	287E112WC-00	3,187	89.4	604	293
		1500	W-DF160M	287E212WC-00	3,299	89.8	604	293
		1000	W-DF160L	287E312WC-00	3,951	88.7	604	333
20	15	3000	W-DF160M	287E113WC-00	3,305	90.3	604	293
		1500	W-DF160L	287E213WC-00	3,448	90.6	604	333
		1000	W-DF180L	287E313WC-00	5,000	89.7	787	408
25	18.5	3000	W-DF160L	287E114WC-00	4,091	90.9	604	333
		1500	W-DF180M	287E214WC-00	4,132	91.2	663	395
		1000	W-DF200L	367E314WC-00	7,811	90.4	787	750
30	22	3000	W-DF180M	287E115WC-00	4,789	91.3	663	395
		1500	W-DF180L	287E215WC-00	4,817	91.6	663	408
		1000	W-DF200L	367E315WC-00	9,668	90.9	787	750
40	30	3000	W-DF200L	367E116WC-00	7,609	92	787	750
		1500	W-DF200L	367E216WC-00	6,964	92.3	787	750
		1000	W-DF225M	367E316WC-00	12,304	91.7	915	1050

Note: For Export Only

Note: C & D Flanges may not be available from stock & could be supplied as stock modification

Discount Category **18**



IEC Frame
B3 Foot Mounted
380-415/440-480V, 3PH, 50/60 Hz
Cast Iron Construction

Performance - Page 86
 Dimensions - Page 71-72



Features:

- Motors comply with CENELEC/EURONORM Standards EN60079 Certified by BASEEFA / ATEX
- Zone 2, Group II T3 non sparking
- Totally Enclosed Fan Cooled Enclosure
- Cast Iron Construction
- Class F insulation
- C & D Flanges available
- F2 to F1, F3 convertible
- Warranty: 3 years

HP	KW	RPM	FRAME	380-415V	List	FL EFF.	L Dim. (mm)	LBS
50	37	3000	W-DF200L	367E117WC-00	\$7,850	92.5	787	750
		1500	W-DF225S	367E217WC-00	7,724	92.7	970	914
		1000	W-DF250S	367E317WC-00	14,816	92.2	985	1384
60	45	3000	W-DF225M	367E118WC-00	10,237	92.9	885	1050
		1500	W-DF225M	367E218WC-00	10,118	93.1	915	1050
		1000	W-DF250M	367E318WC-00	18,181	92.7	1021	1384
75	55	3000	W-DF250S	367E119WC-00	13,118	93.2	985	1384
		1500	W-DF250S	367E219WC-00	12,021	93.5	985	1384
		1000	W-DF280S	367E319WC-00	21,188	93.1	1090	1512
100	75	3000	W-DF250M	367E120WC-00	16,090	93.8	1030	1384
		1500	W-DF250M	367E220WC-00	14,486	94	1021	1384
		1000	W-DF280M	367E320WC-00	28,796	93.7	1145	1896
125	90	3000	W-DF280S	367E121WC-00	19,180	94.1	1070	1512
		1500	W-DF280S	367E221WC-00	16,821	94.2	1090	1512
		1000	W-DF315S	367E321WC-00	33,634	94	1215	2354
150	110	3000	W-DF280M	367E122WC-00	27,817	94.3	1115	1896
		1500	W-DF280M	367E222WC-00	27,123	94.5	1145	1896
		1000	W-DF315M	367E322WC-00	36,054	94.3	1245	2533
200	150	3000	W-DF315M	367E123WC-00	35,467	94.7	1215	2533
		1500	W-DF315M	367E223WC-00	35,683	94.9	1245	2533

Note: For Export Only

Note: C & D Flanges may not be available from stock & could be supplied as stock modification

Discount Category **18**



IEC Frame
B14 (C Face) & B5 (D Flange) With
B3 Base
380-415/440-480V, 3PH, 50/60 Hz
Cast Iron Construction



Features:

- Motors comply with CENELEC/EURONORM Standards EN60079 Certified by BASEEFA / ATEX
- Zone 2, Group II T3 non sparking
- Totally Enclosed Fan Cooled Enclosure
- Cast Iron Construction
- Class F insulation
- F2 to F1, F3 convertible
- Warranty: 3 years

HP	KW	RPM	FRAME	C FACE (B14)	D FLANGE (B5)	List	FL EFF.	L Dim. (mm)	LBS
1	0.75	1500	W-DF80M	287E205WC-02	287E205WC-04	\$1,026	79.6	278	38
		1000	W-DF90S	287E305WC-02	287E305WC-04	1,152	75.9	364	56
1.5	1.1	3000	W-DF80M	287E106WC-02	287E106WC-04	1,038	79.6	278	38
		1500	W-DF90S	287E206WC-02	287E206WC-04	1,138	81.4	364	56
		1000	W-DF90L	287E306WC-02	287E306WC-04	1,289	78.1	364	67
2	1.5	3000	W-DF90S	287E107WC-02	287E107WC-04	1,177	81.3	364	56
		1500	W-DF90L	287E207WC-02	287E207WC-04	1,271	82.8	364	67
		1000	W-DF100L	287E307WC-02	287E307WC-04	1,600	79.8	409	70
3	2.2	3000	W-DF90L	287E108WC-02	287E108WC-04	1,296	83.2	364	67
		1500	W-DF100L	287E208WC-02	287E208WC-04	1,508	84.3	409	70
		1000	W-DF112M	287E308WC-02	287E308WC-04	1,882	81.8	442	123
4	3	3000	W-DF100L	287E100WC-02	287E100WC-04	1,579	84.6	409	70
		1500	W-DF100L	287E200WC-02	287E200WC-04	1,637	85.5	409	70
		1000	W-DF132S	287E300WC-02	287E300WC-04	2,362	83.3	484	173
5.5	4	3000	W-DF112M	287E109WC-02	287E109WC-04	1,797	85.8	442	123
		1500	W-DF112M	287E209WC-02	287E209WC-04	1,882	86.6	442	123
		1000	W-DF132M	287E309WC-02	287E309WC-04	2,576	84.6	484	170
7.5	5.5	3000	W-DF132S	287E110WC-02	287E110WC-04	2,268	87	484	173
		1500	W-DF132S	287E210WC-02	287E210WC-04	2,464	87.7	484	173
		1000	W-DF132M	287E310WC-02	287E310WC-04	2,826	86	484	170
10	7.5	3000	W-DF132S	287E111WC-02	287E111WC-04	2,495	88.1	484	173
		1500	W-DF132M	287E211WC-02	287E211WC-04	2,703	88.7	484	170
		1000	W-DF160M	287E311WC-02	287E311WC-04	4,159	87.2	604	293
15	11	3000	W-DF160M	287E112WC-02	287E112WC-04	4,006	89.4	604	293
		1500	W-DF160M	287E212WC-02	287E212WC-04	4,118	89.8	604	293
		1000	W-DF160L	287E312WC-02	287E312WC-04	4,770	88.7	604	333
20	15	3000	W-DF160M	287E113WC-02	287E113WC-04	4,124	90.3	604	293
		1500	W-DF160L	287E213WC-02	287E213WC-04	4,267	90.6	604	333
		1000	W-DF180L		287E313WC-04	5,968	89.7	787	408
25	18.5	3000	W-DF160L	287E114WC-02	287E114WC-04	4,910	90.9	604	333
		1500	W-DF180M		287E214WC-04	5,100	91.2	663	395
		1000	W-DF200L		367E314WC-04	9,399	90.4	787	750
30	22	3000	W-DF180M		287E115WC-04	5,757	91.3	663	395
		1500	W-DF180L		287E215WC-04	5,785	91.6	663	408
		1000	W-DF200L		367E315WC-04	11,356	90.9	787	750
40	30	3000	W-DF200L		367E116WC-04	9,297	92	787	750
		1500	W-DF200L		367E216WC-04	8,652	92.3	787	750
		1000	W-DF225M		367E316WC-04	14,490	91.7	915	1050

Note: For Export Only

Note: C & D Flanges may not be available from stock & could be supplied as stock modification

Discount Category **18**



IEC Frame B14 (C Face) & B5 (D Flange) With B3 Base 380-415/440-480V, 3PH, 50/60Hz Cast Iron Construction

Performance - Page 86
Dimensions - Page 71-72



Features:

- Motors comply with CENELEC/EURONORM Standards EN60079 Certified by BASEEFA / ATEX
- Zone 2, Group II T3 non sparking
- Totally Enclosed Fan Cooled Enclosure
- Cast Iron Construction
- Class F insulation
- F2 to F1, F3 convertible
- Warranty: 3 years

HP	KW	RPM	FRAME	D FLANGE (B5)	List	FL EFF.	L Dim. (mm)	LBS
50	37	3000	W-DF200L	367E117WC-04	\$9,538	92.5	787	750
		1500	W-DF225S	367E217WC-04	9,911	92.7	970	914
		1000	W-DF250S	367E317WC-04	17,052	92.2	985	1384
60	45	3000	W-DF225M	367E118WC-04	12,423	92.9	885	1050
		1500	W-DF225M	367E218WC-04	12,304	93.1	915	1050
		1000	W-DF250M	367E318WC-04	20,417	92.7	1021	1384
75	55	3000	W-DF250S	367E119WC-04	15,353	93.2	985	1384
		1500	W-DF250S	367E219WC-04	14,257	93.5	985	1384
		1000	W-DF280S	367E319WC-04	23,724	93.1	1090	1512
100	75	3000	W-DF250M	367E120WC-04	18,325	93.8	1030	1384
		1500	W-DF250M	367E220WC-04	16,722	94	1021	1384
		1000	W-DF280M	367E320WC-04	31,337	93.7	1145	1896
125	90	3000	W-DF280S	367E121WC-04	21,721	94.1	1070	1512
		1500	W-DF280S	367E221WC-04	19,362	94.2	1090	1512
		1000	W-DF315S	367E321WC-04	36,498	94	1215	2354
150	110	3000	W-DF280M	367E122WC-04	30,358	94.3	1115	1896
		1500	W-DF280M	367E222WC-04	29,664	94.5	1145	1896
		1000	W-DF315M	367E322WC-04	38,918	94.3	1245	2533
200	150	3000	W-DF315M	367E123WC-04	38,331	94.7	1215	2533
		1500	W-DF315M	367E223WC-04	38,547	94.9	1245	2533

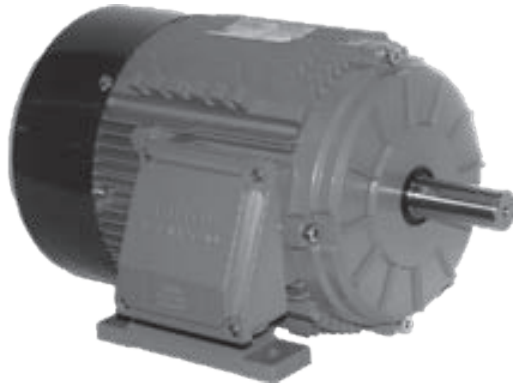
Note: For Export Only

Note: C & D Flanges may not be available from stock & could be supplied as stock modification

Discount Category **18**

PE III SERIES PREMIUM EFFICIENCY
Aluminum Construction - TEFC

BROOK CROMPTON



NEMA Frame
B3 Foot Mounted
3PH, 60 Hz
Aluminum Construction

Performance - See Previous Catalog;
Dimensions - See Previous Catalog.



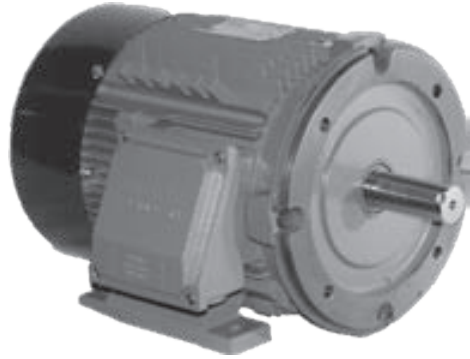
Features:

- NEMA MG1-PART 31 Inverter Duty
15:1 Constant Torque, 20:1 Variable Torque
- Service Factor 1.25
- IP55 degree of protection
- VPI Impregnation
- Internal Tropicproof
- Removable/ Repositional Feet for easy F1, F2, F3 or Round Body configuration
- Class F insulation
- Dual Rated 60/50Hz
- Warranty: 3 Years

HP	RPM	Frame	208/416V	230/460V	575V	List	FL EFF.	C Dim. (IN)	LBS
1	1800	143T	PA4N001-3	PA4N001-4	PA4N001-5	\$444	85.5	13	31
	1200	145T	PA6N001-3	PA6N001-4	PA6N001-5	499	82.5	14	36
1.5	3600	143T	PA2N1.5-3	PA2N1.5-4	PA2N1.5-5	467	84	13	31
	1800	145T	PA4N1.5-3	PA4N1.5-4	PA4N1.5-5	482	86.5	14	36
2	1200	182T	PA6N1.5-3	PA6N1.5-4	PA6N1.5-5	672	87.5	16.54	60
	3600	145T	PA2N002-3	PA2N002-4	PA2N002-5	517	85.5	14	36
	1800	145T	PA4N002-3	PA4N002-4	PA4N002-5	516	86.5	14	36
3	1200	184T	PA6N002-3	PA6N002-4	PA6N002-5	719	88.5	16.54	66
	3600	182T	PA2N003-3	PA2N003-4	PA2N003-5	684	86.5	16.54	60
	1800	182T	PA4N003-3	PA4N003-4	PA4N003-5	690	89.5	16.54	60
5	1200	213T	PA6N003-3	PA6N003-4	PA6N003-5	947	89.5	18.78	110
	3600	184T	PA2N005-3	PA2N005-4	PA2N005-5	750	88.5	16.54	66
	1800	184T	PA4N005-3	PA4N005-4	PA4N005-5	698	89.5	16.54	66
7.5	1200	215T	PA6N005-3	PA6N005-4	PA6N005-5	1,235	89.5	20.28	129
	3600	213T	PA2N7.5-3	PA2N7.5-4	PA2N7.5-5	964	89.5	18.78	110
	1800	213T	PA4N7.5-3	PA4N7.5-4	PA4N7.5-5	1,009	91.7	18.78	110
10	3600	215T	PA2N010-3	PA2N010-4	PA2N010-5	1,209	90.2	20.28	129
	1800	215T	PA4N010-3	PA4N010-4	PA4N010-5	1,228	91.7	20.28	129
15	3600	215T	PA2N015-3S	PA2N015-4S	PA2N015-5S	1,777	91	20.28	129

Note: C & D Flanges may not be available from stock & could be supplied as stock modification

Discount Category **16**



NEMA Frame C Face Mounted With Removable Feet 3PH, 60 Hz Aluminum Construction

*Performance - See Previous Catalog
Dimensions - See Previous Catalog*



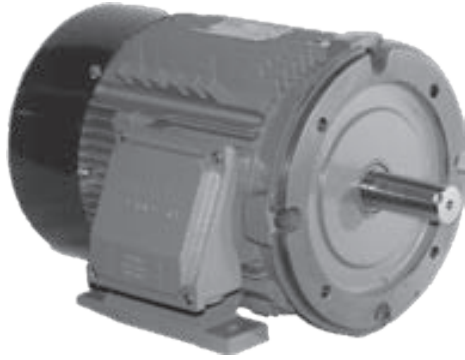
Features:

- NEMA MG1-PART 31 Inverter Duty
15:1 Constant Torque, 20:1 Variable Torque
- Service Factor 1.25
- IP55 degree of protection
- VPI Impregnation
- Internal Tropicproof
- Removable/ Repositional Feet for easy F1, F2, F3 or Round Body configuration
- Class F insulation
- Dual Rated 60/50Hz
- Warranty: 3 Years

HP	RPM	FRAME	C FACE			LIST	FL EFF.	C Dim. (IN)	LBS
			208/416V	230/460V	575V				
1	1800	143TC	PA4N001-3C	PA4N001-4C	PA4N001-5C	\$489	85.5	13	31
	1200	145TC	PA6N001-3C	PA6N001-4C	PA6N001-5C	544	82.5	14	36
1.5	3600	143TC	PA2N1.5-3C	PA2N1.5-4C	PA2N1.5-5C	512	84	13	31
	1800	145TC	PA4N1.5-3C	PA4N1.5-4C	PA4N1.5-5C	527	86.5	14	36
2	1200	182TC	PA6N1.5-3C	PA6N1.5-4C	PA6N1.5-5C	737	87.5	16.54	60
	3600	145TC	PA2N002-3C	PA2N002-4C	PA2N002-5C	562	85.5	14	36
	1800	145TC	PA4N002-3C	PA4N002-4C	PA4N002-5C	561	86.5	14	36
3	1200	184TC	PA6N002-3C	PA6N002-4C	PA6N002-5C	784	88.5	16.54	66
	3600	182TC	PA2N003-3C	PA2N003-4C	PA2N003-5C	749	86.5	16.54	60
	1800	182TC	PA4N003-3C	PA4N003-4C	PA4N003-5C	755	89.5	16.54	60
5	1200	213TC	PA6N003-3C	PA6N003-4C	PA6N003-5C	1,047	89.5	18.78	110
	3600	184TC	PA2N005-3C	PA2N005-4C	PA2N005-5C	815	88.5	16.54	66
	1800	184TC	PA4N005-3C	PA4N005-4C	PA4N005-5C	763	89.5	16.54	66
7.5	1200	215TC	PA6N005-3C	PA6N005-4C	PA6N005-5C	1,335	89.5	20.28	129
	3600	213TC	PA2N7.5-3C	PA2N7.5-4C	PA2N7.5-5C	1,064	89.5	18.78	110
10	1800	213TC	PA4N7.5-3C	PA4N7.5-4C	PA4N7.5-5C	1,109	91.7	18.78	110
	3600	215TC	PA2N010-3C	PA2N010-4C	PA2N010-5C	1,309	90.2	20.28	129
15	1800	215TC	PA4N010-3C	PA4N010-4C	PA4N010-5C	1,328	91.7	20.28	129
	3600	215TC	PA2N015-3CS	PA2N015-4CS	PA2N015-5CS	1,967	91	20.28	129

Note: C & D Flanges may not be available from stock & could be supplied as stock modification

Discount Category **16**



NEMA Frame

D Flange Mounted With Removable Feet
3PH, 60 Hz
Aluminum Construction

Performance - See Previous Catalog
Dimensions - See Previous Catalog



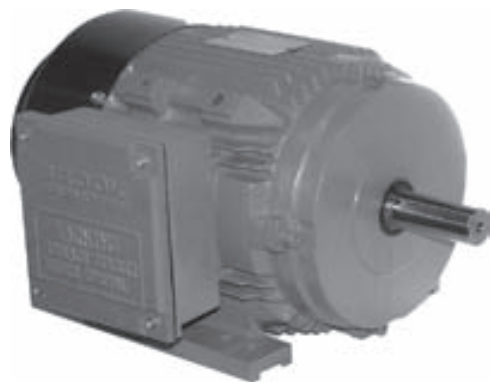
Features:

- NEMA MG1-PART 31 Inverter Duty
15:1 Constant Torque, 20:1 Variable Torque
- Service Factor 1.25
- IP55 degree of protection
- VPI Impregnation
- Internal Tropicproof
- Removable/ Repositional Feet for easy F1, F2, F3 or Round Body configuration
- Class F insulation
- Dual Rated 60/50Hz
- Warranty: 3 Years

HP	RPM	FRAME	D FLANGE			LIST	FL EFF.	C Dim. (IN)	LBS
			208/416V	230/460V	575V				
1	1800	143TD	PA4N001-3D	PA4N001-4D	PA4N001-5D	\$489	85.5	13	31
	1200	145TD	PA6N001-3D	PA6N001-4D	PA6N001-5D	544	82.5	14	36
1.5	3600	143TD	PA2N1.5-3D	PA2N1.5-4D	PA2N1.5-5D	512	84	13	31
	1800	145TD	PA4N1.5-3D	PA4N1.5-4D	PA4N1.5-5D	527	86.5	14	36
	1200	182TD	PA6N1.5-3D	PA6N1.5-4D	PA6N1.5-5D	737	87.5	16.54	60
2	3600	145TD	PA2N002-3D	PA2N002-4D	PA2N002-5D	562	85.5	14	36
	1800	145TD	PA4N002-3D	PA4N002-4D	PA4N002-5D	561	86.5	14	36
	1200	184TD	PA6N002-3D	PA6N002-4D	PA6N002-5D	784	88.5	16.54	66
3	3600	182TD	PA2N003-3D	PA2N003-4D	PA2N003-5D	749	86.5	16.54	60
	1800	182TD	PA4N003-3D	PA4N003-4D	PA4N003-5D	755	89.5	16.54	60
	1200	213TD	PA6N003-3D	PA6N003-4D	PA6N003-5D	1,047	89.5	18.78	110
5	3600	184TD	PA2N005-3D	PA2N005-4D	PA2N005-5D	815	88.5	16.54	66
	1800	184TD	PA4N005-3D	PA4N005-4D	PA4N005-5D	763	89.5	16.54	66
	1200	215TD	PA6N005-3D	PA6N005-4D	PA6N005-5D	1,335	89.5	20.28	129
7.5	3600	213TD	PA2N7.5-3D	PA2N7.5-4D	PA2N7.5-5D	1,064	89.5	18.78	110
	1800	213TD	PA4N7.5-3D	PA4N7.5-4D	PA4N7.5-5D	1,109	91.7	18.78	110
10	3600	215TD	PA2N010-3D	PA2N010-4D	PA2N010-5D	1,309	90.2	20.28	129
	1800	215TD	PA4N010-3D	PA4N010-4D	PA4N010-5D	1,328	91.7	20.28	129
15	3600	215TD	PA2N015-3DS	PA2N015-4DS	PA2N015-5DS	1,967	91	20.28	129

Note: C & D Flanges may not be available from stock & could be supplied as stock modification

Discount Category **16**



NEMA Frame

*Performance - See Previous Catalog.
Dimensions - See Previous Catalog.*

Foot Mounted

3PH, 60 Hz

Cast Iron Construction



Features:

- NEMA MG1-PART 31 Inverter Duty
15:1 Constant Torque, 20:1 Variable Torque
- Severe Duty
- Service Factor 1.25
- IP55 degree of protection
- VPI Impregnation
- Internal Tropicproof
- Removable/ Repositional Feet for easy F1, F2, F3 or Round Body configuration
- Class F insulation
- Dual Rated 60/50Hz
- Warranty: 3 Years
- Thermistors included in motors
254T & above. 1 per phase

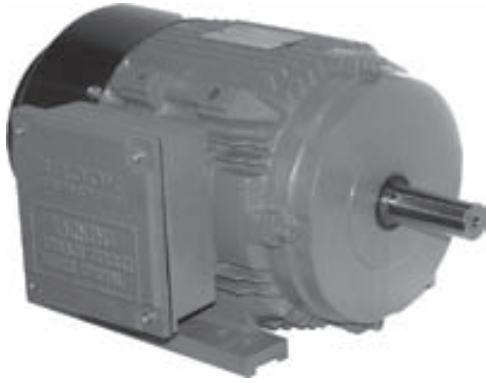
HP	RPM	FRAME	208-230/460V	575V	LIST	FL EFF.	C Dim. (IN)	LBS
1	1800	143T	PC4N001-2	PC4N001-5	\$402	85.5	13	55
	1200	145T	PC6N001-2	PC6N001-5	453	82.5	14	60
1.5	3600	143T	PC2N1.5-2	PC2N1.5-5	424	84	13	55
	1800	145T	PC4N1.5-2	PC4N1.5-5	438	86.5	14	60
	1200	182T	PC6N1.5-2	PC6N1.5-5	611	87.5	16.54	106
2	3600	145T	PC2N002-2	PC2N002-5	470	85.5	14	60
	1800	145T	PC4N002-2	PC4N002-5	469	86.5	14	60
	1200	184T	PC6N002-2	PC6N002-5	653	88.5	16.54	114
3	3600	182T	PC2N003-2	PC2N003-5	621	86.5	16.54	106
	1800	182T	PC4N003-2	PC4N003-5	627	89.5	16.54	106
	1200	213T	PC6N003-2	PC6N003-5	860	89.5	18.78	170
5	3600	184T	PC2N005-2	PC2N005-5	681	88.5	16.54	114
	1800	184T	PC4N005-2	PC4N005-5	634	89.5	16.54	114
	1200	215T	PC6N005-2	PC6N005-5	1,121	89.5	20.28	194
7.5	3600	213T	PC2N7.5-2	PC2N7.5-5	875	89.5	18.78	170
	1800	213T	PC4N7.5-2	PC4N7.5-5	916	91.7	18.78	170
	1200	254T	PC6N7.5-2	PC6N7.5-5	1,469	91	24	309
10	3600	215T	PC2N010-2	PC2N010-5	1,098	90.2	20.28	194
	1800	215T	PC4N010-2	PC4N010-5	1,115	91.7	20.28	194
	1200	256T	PC6N010-2	PC6N010-5	1,828	91	25.75	346
15	3600	254T	PC2N015-2	PC2N015-5	1,614	91	24	309
	1800	254T	PC4N015-2	PC4N015-5	1,626	92.4	24	309
	1200	284T	PC6N015-2	PC6N015-5	2,268	91.7	27.44	441
20	3600	256T	PC2N020-2	PC2N020-5	1,862	91	25.75	346
	1800	256T	PC4N020-2	PC4N020-5	1,880	93	25.75	346
	1200	286T	PC6N020-2	PC6N020-5	2,781	91.7	28.94	443
25	3600	284TS	PC2N025-2	PC2N025-5	2,217	91.7	26.07	441
	1800	284T	PC4N025-2	PC4N025-5	2,245	93.6	27.44	441
	1200	324T	PC6N025-2	PC6N025-5	3,541	93	31.30	631
30	3600	286TS	PC2N030-2	PC2N030-5	2,653	91.7	27.57	443
	1800	286T	PC4N030-2	PC4N030-5	2,709	93.6	28.94	443
	1200	326T	PC6N030-2	PC6N030-5	4,097	93	31.30	654
40	3600	324TS	PC2N040-2	PC2N040-5	3,467	92.4	29.80	631
	1800	324T	PC4N040-2	PC4N040-5	3,496	94.1	31.30	631
	1200	364T	PC6N040-2	PC6N040-5	5,284	94.1	33.47	886

Note: C & D Flanges may not be available from stock & could be supplied as stock modification

Discount Category **55**

PE III SERIES PREMIUM EFFICIENCY
Cast Iron Construction - TEFC

**BROOK
CROMPTON**



NEMA Frame
Foot Mounted
3PH, 60 Hz
Cast Iron Construction

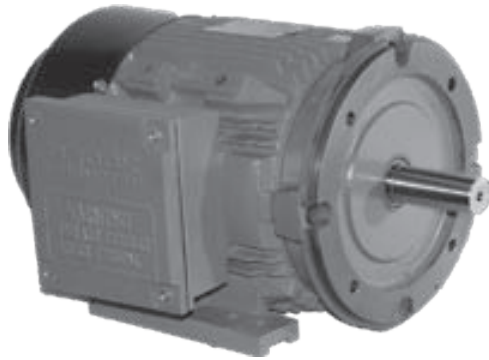
Performance - See Previous Catalog
Dimensions - See Previous Catalog

HP	RPM	FRAME	208-230/460V	575V	LIST	FL EFF.	C Dim. (IN)	LBS
50	3600	326TS	PC2N050-2	PC2N050-5	\$3,978	93	29.80	654
	1800	326T	PC4N050-2	PC4N050-5	4,118	94.5	31.30	654
	1200	365T	PC6N050-2	PC6N050-5	6,107	94.1	33.45	958
60	3600	364TS	PC2N060-2	PC2N060-5	5,547	93.6	31.34	886
	1800	364T	PC4N060-2	PC4N060-5	5,431	95	33.47	886
	1200	404T	PC6N060-2	PC6N060-5	7,509	94.5	38.19	1025
75	3600	365TS	PC2N075-2	PC2N075-5	6,381	93.6	32.32	958
	1800	365T	PC4N075-2	PC4N075-5	7,023	95.4	34.45	958
	1200	405T	PC6N075-2	PC6N075-5	8,402	94.5	38.19	1092
100	3600	405TS	PC2N100-2	PC2N100-5	8,637	94.1	35.19	1092
	1800	405T	PC4N100-2	PC4N100-5	8,391	95.4	38.19	1092
	1200	444T	PC6N100-2	PC6N100-5	11,308	95	43.9	1858
125	3600	444TS	PC2N125-9	PC2N125-5	11,772	95	40.15	1858
	1800	444T	PC4N125-9	PC4N125-5	12,242	95.4	43.9	1858
	1200	445T	PC6N125-9	PC6N125-5	13,402	95	43.9	1947
150	3600	445TS	PC2N150-9	PC2N150-5	13,001	95	40.15	1947
	1800	445T	PC4N150-9	PC4N150-5	14,288	95.8	43.9	1947
	1200	447T	PC6N150-9	PC6N150-5	19,134	95.8	52.4	2128
200	3600	447TS	PC2N200-9	PC2N200-5	17,729	95.4	48.65	2128
	1800	447T	PC4N200-9	PC4N200-5	18,997	96.2	52.4	2128
250	3600	447TS	PC2N250-9	PC2N250-5	22,998	-	48.65	2128
	1800	447T	PC4N250-9	PC4N250-5	24,145	-	52.4	2128

Note: Models above 250HP Call For Quote
 Models ending in -9 are 460V

Note: C & D Flanges may not be available from stock & could be supplied as stock modification

Discount Category **55**



NEMA Frame C Face Mounted With Removable Feet 3PH, 60 Hz Cast Iron Construction

*Performance - See Previous Catalog
Dimensions - See Previous Catalog*



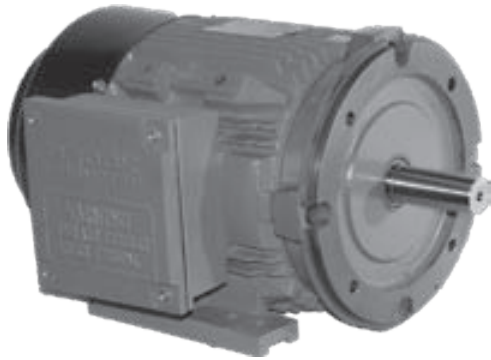
Features:

- NEMA MG1-PART 31 Inverter Duty
15:1 Constant Torque, 20:1 Variable Torque
- Severe Duty
- Service Factor 1.25
- IP55 degree of protection
- VPI Impregnation
- Internal Tropicproof
- Removable/ Repositional Feet for easy F1, F2, F3 or Round Body configuration
- Class F insulation
- Dual Rated 60/50Hz
- Warranty: 3 Years
- Thermistors included in motors
254T & above. 1 per phase

HP	RPM	FRAME	C FACE		LIST	FL EFF.	C Dim. (IN)	LBS
			208-230/460V	575V				
1	1800	143TC	PC4N001-2C	PC4N001-5C	\$447	85.5	13	55
	1200	145TC	PC6N001-2C	PC6N001-5C	498	82.5	14	60
1.5	3600	143TC	PC2N1.5-2C	PC2N1.5-5C	469	84	13	55
	1800	145TC	PC4N1.5-2C	PC4N1.5-5C	483	86.5	14	60
	1200	182TC	PC6N1.5-2C	PC6N1.5-5C	676	87.5	16.54	106
2	3600	145TC	PC2N002-2C	PC2N002-5C	515	85.5	14	60
	1800	145TC	PC4N002-2C	PC4N002-5C	514	86.5	14	60
	1200	184TC	PC6N002-2C	PC6N002-5C	718	88.5	16.54	114
3	3600	182TC	PC2N003-2C	PC2N003-5C	686	86.5	16.54	106
	1800	182TC	PC4N003-2C	PC4N003-5C	692	89.5	16.54	106
	1200	213TC	PC6N003-2C	PC6N003-5C	960	89.5	18.78	170
5	3600	184TC	PC2N005-2C	PC2N005-5C	746	88.5	16.54	114
	1800	184TC	PC4N005-2C	PC4N005-5C	699	89.5	16.54	114
	1200	215TC	PC6N005-2C	PC6N005-5C	1,221	89.5	20.28	194
7.5	3600	213TC	PC2N7.5-2C	PC2N7.5-5C	975	89.5	18.78	170
	1800	213TC	PC4N7.5-2C	PC4N7.5-5C	1,016	91.7	18.78	170
	1200	254TC	PC6N7.5-2C	PC6N7.5-5C	1,609	91	24	309
10	3600	215TC	PC2N010-2C	PC2N010-5C	1,198	90.2	20.28	194
	1800	215TC	PC4N010-2C	PC4N010-5C	1,215	91.7	20.28	194
	1200	256TC	PC6N010-2C	PC6N010-5C	1,968	91	25.75	346
15	3600	254TC	PC2N015-2C	PC2N015-5C	1,754	91	24	309
	1800	254TC	PC4N015-2C	PC4N015-5C	1,766	92.4	24	309
	1200	284TC	PC6N015-2C	PC6N015-5C	2,488	91.7	27.44	441
20	3600	256TC	PC2N020-2C	PC2N020-5C	2,002	91	25.75	346
	1800	256TC	PC4N020-2C	PC4N020-5C	2,020	93	25.75	346
	1200	286TC	PC6N020-2C	PC6N020-5C	3,001	91.7	28.94	443
25	3600	284TSC	PC2N025-2C	PC2N025-5C	2,437	91.7	26.07	441
	1800	284TC	PC4N025-2C	PC4N025-5C	2,465	93.6	27.44	441
	1200	324TC	PC6N025-2C	PC6N025-5C	3,801	93	31.30	631
30	3600	286TSC	PC2N030-2C	PC2N030-5C	2,873	91.7	27.57	443
	1800	286TC	PC4N030-2C	PC4N030-5C	2,929	93.6	28.94	443
	1200	326TC	PC6N030-2C	PC6N030-5C	4,357	93	31.30	654
40	3600	324TSC	PC2N040-2C	PC2N040-5C	3,727	92.4	29.80	631
	1800	324TC	PC4N040-2C	PC4N040-5C	3,756	94.1	31.30	631
	1200	364TC	PC6N040-2C	PC6N040-5C	5,674	94.1	33.47	886

Note: C & D Flanges may not be available from stock & could be supplied as stock modification

Performance - See Previous Catalog
Dimensions - See Previous Catalog



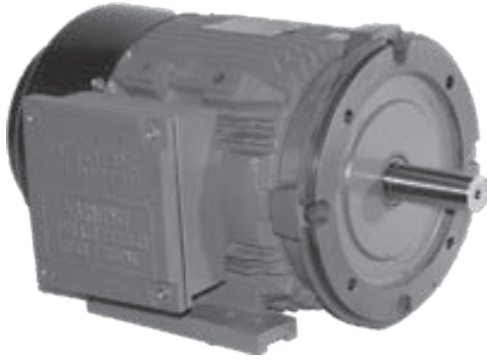
NEMA Frame

C Face Mounted With Removable Feet
3PH, 60 Hz
Cast Iron Construction

HP	RPM	FRAME	C FACE		LIST	FL EFF.	C Dim. (IN)	LBS
			208-230/460V	575V				
50	3600	326TSC	PC2N050-2C	PC2N050-5C	\$4,238	93	29.80	654
	1800	326TC	PC4N050-2C	PC4N050-5C	4,378	94.5	31.30	654
	1200	365TC	PC6N050-2C	PC6N050-5C	6,497	94.1	33.45	958
60	3600	364TSC	PC2N060-2C	PC2N060-5C	5,937	93.6	31.34	886
	1800	364TC	PC4N060-2C	PC4N060-5C	5,821	95	33.47	886
	1200	404TC	PC6N060-2C	PC6N060-5C	8,129	94.5	38.19	1025
75	3600	365TSC	PC2N075-2C	PC2N075-5C	6,771	93.6	32.32	958
	1800	365TC	PC4N075-2C	PC4N075-5C	7,413	95.4	34.45	958
	1200	405TC	PC6N075-2C	PC6N075-5C	9,022	94.5	38.19	1092
100	3600	405TSC	PC2N100-2C	PC2N100-5C	9,257	94.1	35.19	1092
	1800	405TC	PC4N100-2C	PC4N100-5C	9,011	95.4	38.19	1092
	1200	444TC	PC6N100-2C	PC6N100-5C	12,448	95	43.9	1858
125	3600	444TSC	PC2N125-9C	PC2N125-5C	12,912	95	40.15	1858
	1800	444TC	PC4N125-9C	PC4N125-5C	13,382	95.4	43.9	1858
	1200	445TC	PC6N125-9C	PC6N125-5C	14,182	95	43.9	1947
150	3600	445TSC	PC2N150-9C	PC2N150-5C	14,141	95	40.15	1947
	1800	445TC	PC4N150-9C	PC4N150-5C	15,428	95.8	43.9	1947
	1200	447TC	PC6N150-9C	PC6N150-5C	20,274	95.8	52.4	2128
200	3600	447TSC	PC2N200-9C	PC2N200-5C	18,869	95.4	48.65	2128
	1800	447TC	PC4N200-9C	PC4N200-5C	20,137	96.2	52.4	2128
250	3600	447TSC	PC2N250-9C	PC2N250-5C	24,128	-	48.65	2128
	1800	447TC	PC4N250-9C	PC4N250-5C	25,285	-	52.4	2128

Note: Models above 250HP Call For Quote
 Models ending in -9C or -9D are 460V

Note: C & D Flanges may not be available from stock & could be supplied as stock modification



NEMA Frame

*Performance - See Previous Catalog.
Dimensions - See Previous Catalog.*

**D Flange Mounted With Removable Feet
3PH, 60 Hz
Cast Iron Construction**



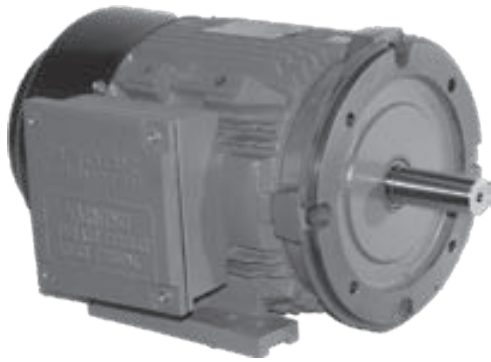
CC096A

Features:

- NEMA MG1-PART 31 Inverter Duty
15:1 Constant Torque, 20:1 Variable Torque
- Severe Duty
- Service Factor 1.25
- IP55 degree of protection
- VPI Impregnation
- Internal Tropicproof
- Removable/ Repositional Feet for easy F1, F2, F3 or Round Body configuration
- Class F insulation
- Dual Rated 60/50Hz
- Warranty: 3 Years
- Thermistors included in motors
254T & above. 1 per phase

HP	RPM	FRAME	D FLANGE		LIST	FL EFF.	C Dim. (IN)	LBS
			208-230/460V	575V				
1	1800	143TD	PC4N001-2D	PC4N001-5D	\$447	85.5	13	55
	1200	145TD	PC6N001-2D	PC6N001-5D	498	82.5	14	60
1.5	3600	143TD	PC2N1.5-2D	PC2N1.5-5D	469	84	13	55
	1800	145TD	PC4N1.5-2D	PC4N1.5-5D	483	86.5	14	60
	1200	182TD	PC6N1.5-2D	PC6N1.5-5D	676	87.5	16.54	106
2	3600	145TD	PC2N002-2D	PC2N002-5D	515	85.5	14	60
	1800	145TD	PC4N002-2D	PC4N002-5D	514	86.5	14	60
	1200	184TD	PC6N002-2D	PC6N002-5D	718	88.5	16.54	114
3	3600	182TD	PC2N003-2D	PC2N003-5D	686	86.5	16.54	106
	1800	182TD	PC4N003-2D	PC4N003-5D	692	89.5	16.54	106
	1200	213TD	PC6N003-2D	PC6N003-5D	960	89.5	18.78	170
5	3600	184TD	PC2N005-2D	PC2N005-5D	746	88.5	16.54	114
	1800	184TD	PC4N005-2D	PC4N005-5D	699	89.5	16.54	114
	1200	215TD	PC6N005-2D	PC6N005-5D	1,221	89.5	20.28	194
7.5	3600	213TD	PC2N7.5-2D	PC2N7.5-5D	975	89.5	18.78	170
	1800	213TD	PC4N7.5-2D	PC4N7.5-5D	1,016	91.7	18.78	170
	1200	254TD	PC6N7.5-2D	PC6N7.5-5D	1,609	91	24	309
10	3600	215TD	PC2N010-2D	PC2N010-5D	1,198	90.2	20.28	194
	1800	215TD	PC4N010-2D	PC4N010-5D	1,215	91.7	20.28	194
	1200	256TD	PC6N010-2D	PC6N010-5D	1,968	91	25.75	346
15	3600	254TD	PC2N015-2D	PC2N015-5D	1,754	91	24	309
	1800	254TD	PC4N015-2D	PC4N015-5D	1,766	92.4	24	309
	1200	284TD	PC6N015-2D	PC6N015-5D	2,488	91.7	27.44	441
20	3600	256TD	PC2N020-2D	PC2N020-5D	2,002	91	25.75	346
	1800	256TD	PC4N020-2D	PC4N020-5D	2,020	93	25.75	346
	1200	286TD	PC6N020-2D	PC6N020-5D	3,001	91.7	28.94	443
25	3600	284TSD	PC2N025-2D	PC2N025-5D	2,437	91.7	26.07	441
	1800	284TD	PC4N025-2D	PC4N025-5D	2,465	93.6	27.44	441
	1200	324TD	PC6N025-2D	PC6N025-5D	3,801	93	31.30	631
30	3600	286TSD	PC2N030-2D	PC2N030-5D	2,873	91.7	27.57	443
	1800	286TD	PC4N030-2D	PC4N030-5D	2,929	93.6	28.94	443
	1200	326TD	PC6N030-2D	PC6N030-5D	4,357	93	31.30	654
40	3600	324TSD	PC2N040-2D	PC2N040-5D	3,727	92.4	29.80	631
	1800	324TD	PC4N040-2D	PC4N040-5D	3,756	94.1	31.30	631
	1200	364TD	PC6N040-2D	PC6N040-5D	5,674	94.1	33.47	886

Note: C & D Flanges may not be available from stock & could be supplied as stock modification



NEMA Frame

D Flange Mounted With Removable Feet
3PH, 60 Hz
Cast Iron Construction

Performance - See Previous Catalog
Dimensions - See Previous Catalog

HP	RPM	FRAME	D FLANGE		LIST	FL EFF.	C Dim. (IN)	LBS
			208-230/460V	575V				
50	3600	326TSD	PC2N050-2D	PC2N050-5D	\$4,238	93	29.80	654
	1800	326TD	PC4N050-2D	PC4N050-5D	4,378	94.5	31.30	654
	1200	365TD	PC6N050-2D	PC6N050-5D	6,497	94.1	33.45	958
60	3600	364TSD	PC2N060-2D	PC2N060-5D	5,937	93.6	31.34	886
	1800	364TD	PC4N060-2D	PC4N060-5D	5,821	95	33.47	886
	1200	404TD	PC6N060-2D	PC6N060-5D	8,129	94.5	38.19	1025
75	3600	365TSD	PC2N075-2D	PC2N075-5D	6,771	93.6	32.32	958
	1800	365TD	PC4N075-2D	PC4N075-5D	7,413	95.4	34.45	958
	1200	405TD	PC6N075-2D	PC6N075-5D	9,022	94.5	38.19	1092
100	3600	405TSD	PC2N100-2D	PC2N100-5D	9,257	94.1	35.19	1092
	1800	405TD	PC4N100-2D	PC4N100-5D	9,011	95.4	38.19	1092
	1200	444TD	PC6N100-2D	PC6N100-5D	12,448	95	43.9	1858
125	3600	444TSD	PC2N125-9D	PC2N125-5D	12,912	95	40.15	1858
	1800	444TD	PC4N125-9D	PC4N125-5D	13,382	95.4	43.9	1858
	1200	445TD	PC6N125-9D	PC6N125-5D	14,182	95	43.9	1947
150	3600	445TSD	PC2N150-9D	PC2N150-5D	14,141	95	40.15	1947
	1800	445TD	PC4N150-9D	PC4N150-5D	15,428	95.8	43.9	1947
	1200	447TD	PC6N150-9D	PC6N150-5D	20,274	95.8	52.4	2128
200	3600	447TSD	PC2N200-9D	PC2N200-5D	18,869	95.4	48.65	2128
	1800	447TD	PC4N200-9D	PC4N200-5D	20,137	96.2	52.4	2128
250	3600	447TSD	PC2N250-9D	PC2N250-5D	24,128	-	48.65	2128
	1800	447TD	PC4N250-9D	PC4N250-5D	25,285	-	52.4	2128

Note: Models above 250HP Call For Quote
 Models ending in -9C or -9D are 460V

Note: C & D Flanges may not be available from stock & could be supplied as stock modification



IEC Frame
B3 Foot Mounted
3PH, 60 Hz
Aluminum Construction

Performance - See Previous Catalog
Dimensions - See Previous Catalog



CC096A

Features:

- NEMA MG1-PART 31 Inverter Duty
15:1 Constant Torque, 20:1 Variable Torque
- Severe Duty
- Service Factor 1.15
- IP55 degree of protection
- VPI Impregnation
- Internal Tropicproof
- Removable/ Repositional Feet for easy F1, F2, F3 or Round Body configuration
- Class F insulation
- Dual Rated 60/50Hz
- Warranty: 3 Years

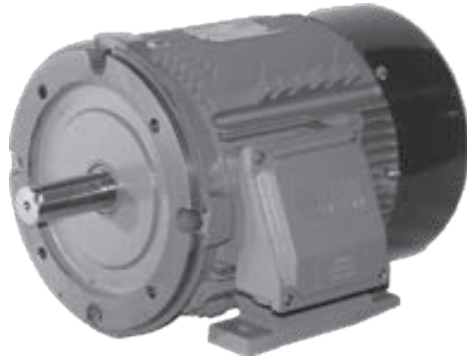
HP	KW	RPM	FRAME	208-230/460V	575V	LIST	FL EFF.	L Dim. (mm)	LBS
0.25	0.18	3600	63	TA2M.25-2	TA2M.25-5	\$202	64	220	10
		1800	63	TA4M.25-2	TA4M.25-5	212	62.4	220	10
		1200	71	TA6M.25-2	TA6M.25-5	261	62.8	241	11
		900	80	TA8M.25-2	TA8M.25-5	371	57	280	26
0.33	0.25	3600	63	TA2M.33-2	TA2M.33-5	213	72	220	10
		1800	71	TA4M.33-2	TA4M.33-5	259	68.5	241	11
		1200	71	TA6M.33-2	TA6M.33-5	276	64.5	241	11
		900	80	TA8M.33-2	TA8M.33-5	427	62	280	26
0.5	0.37	3600	71	TA2M.50-2	TA2M.50-5	256	74.5	241	11
		1800	71	TA4M.50-2	TA4M.50-5	277	72.5	241	11
		1200	80	TA6M.50-2	TA6M.50-5	343	68.2	280	26
		900	90S	TA8M.50-2	TA8M.50-5	474	62	325	31
0.75	0.55	3600	71	TA2M.75-2	TA2M.75-5	273	75.5	241	11
		1800	80	TA4M.75-2	TA4M.75-5	340	73.5	280	26
		1200	80	TA6M.75-2	TA6M.75-5	372	72	280	26
		900	90L	TA8M.75-2	TA8M.75-5	544	66	350	36
1	0.75	3600	80	TA2M001-2	TA2M001-5	397	75.5	280	26
		1800	80	TA4M001-2	TA4M001-5	401	82.5	280	26
1.5	1.1	3600	80	TA2M1.5-2	TA2M1.5-5	549	82.5	280	26
		3600	80	PA2M001-2	PA2M001-5	397	85	280	26
		1800	80	PA4M001-2	PA4M001-5	401	85.4	280	26
		1200	90S	PA6M001-2	PA6M001-5	566	82.5	325	31
1.5	1.1	3600	80	PA2M1.5-2	PA2M1.5-5	453	84.1	280	26
		1800	90S	PA4M1.5-2	PA4M1.5-5	549	86	325	31
		1200	90L	PA6M1.5-2	PA6M1.5-5	653	87.5	350	36
		3600	90S	PA2M002-2	PA2M002-5	568	85.5	325	31
2	1.5	1800	90L	PA4M002-2	PA4M002-5	624	86.5	350	36
		1200	100L	PA6M002-2	PA6M002-5	797	88.5	388	50
		3600	90L	PA2M003-2	PA2M003-5	642	86.5	350	36
3	2.2	1800	100L	PA4M003-2	PA4M003-5	768	89.5	388	50
		1200	112M	PA6M003-2	PA6M003-5	1,041	89.5	405	66
		3600	100L	PA2M004-2	PA2M004-5	\$831	88.5	388	50
4	3	1800	100L	PA4M004-2	PA4M004-5	840	89.5	388	50
		1200	132S	PA6M004-2	PA6M004-5	1,333	89.5	467	110
		3600	112M	PA2M5.5-2	PA2M5.5-5	965	88.5	405	66
5.5	4	1800	112M	PA4M5.5-2	PA4M5.5-5	957	89.5	405	66
		1200	132M	PA6M5.5-2	PA6M5.5-5	1,570	89.5	505	129
		3600	132S	PA2M7.5-2	PA2M7.5-5	1,248	89.5	467	110
7.5	5.5	1800	132S	PA4M7.5-2	PA4M7.5-5	1,348	91.7	467	110
		1200	132M	PA6M7.5-2	PA6M7.5-5	1,789	91	505	129
		3600	132S	PA2M10-2	PA2M10-5	1,366	90.2	467	110
10	7.5	1800	132M	PA4M10-2	PA4M10-5	1,694	91.7	505	129

Note: TA Models 1HP and 1.5HP 80 Frame Are Exempt From E.I.S.A. Legislation

Note: C & D Flanges may not be available from stock & could be supplied as stock modification

Discount Category **17**

Performance - See Previous Catalog.
 Dimensions - See Previous Catalog.



IEC Frame
B14 (C Face) & B5 (D Flange)
With Removable Feet
3PH, 60 Hz
Aluminum Construction



Features:

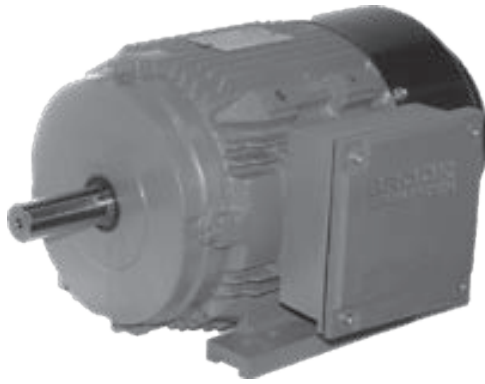
- NEMA MG1-PART 31 Inverter Duty 15:1 Constant Torque, 20:1 Variable Torque
- Severe Duty
- Service Factor 1.15
- IP55 degree of protection
- VPI Impregnation
- Internal Tropicproof
- Removable/ Re positional Feet forestry F1, F2, F3 or Round Body configuration
- Class F insulation
- Dual Rated 60/50Hz
- Warranty: 3 Years

HP	KW	RPM	FRAME	C FACE (B14)		D FLANGE (B5)		LIST	FL EFF.	L Dim. (mm)	LBS
				208-230/460V	575V	208-230/460V	575V				
0.25	0.18	3600	63	TA2M.25-2C	TA2M.25-5C	TA2M.25-2D	TA2M.25-5D	\$242	64	220	10
		1800	63	TA4M.25-2C	TA4M.25-5C	TA4M.25-2D	TA4M.25-5D	252	62.4	220	10
		1200	71	TA6M.25-2C	TA6M.25-5C	TA6M.25-2D	TA6M.25-5D	301	62.8	241	11
		900	80	TA8M.25-2C	TA8M.25-5C	TA8M.25-2D	TA8M.25-5D	416	57	280	26
0.33	0.25	3600	63	TA2M.33-2C	TA2M.33-5C	TA2M.33-2D	TA2M.33-5D	253	72	220	10
		1800	71	TA4M.33-2C	TA4M.33-5C	TA4M.33-2D	TA4M.33-5D	299	68.5	241	11
		1200	71	TA6M.33-2C	TA6M.33-5C	TA6M.33-2D	TA6M.33-5D	316	64.5	241	11
		900	80	TA8M.33-2C	TA8M.33-5C	TA8M.33-2D	TA8M.33-5D	472	62	280	26
0.5	0.37	3600	71	TA2M.50-2C	TA2M.50-5C	TA2M.50-2D	TA2M.50-5D	296	74.5	241	11
		1800	71	TA4M.50-2C	TA4M.50-5C	TA4M.50-2D	TA4M.50-5D	317	72.5	241	11
		1200	80	TA6M.50-2C	TA6M.50-5C	TA6M.50-2D	TA6M.50-5D	388	68.2	280	26
		900	90S	TA8M.50-2C	TA8M.50-5C	TA8M.50-2D	TA8M.50-5D	524	62	325	31
0.75	0.55	3600	71	TA2M.75-2C	TA2M.75-5C	TA2M.75-2D	TA2M.75-5D	318	75.5	241	11
		1800	80	TA4M.75-2C	TA4M.75-5C	TA4M.75-2D	TA4M.75-5D	385	73.5	280	26
		1200	80	TA6M.75-2C	TA6M.75-5C	TA6M.75-2D	TA6M.75-5D	417	72	280	26
		900	90L	TA8M.75-2C	TA8M.75-5C	TA8M.75-2D	TA8M.75-5D	594	66	350	36
1	0.75	3600	80	TA2M001-2C	TA2M001-5C	TA2M001-2D	TA2M001-5D	442	75.5	280	26
		1800	80	TA4M001-2C	TA4M001-5C	TA4M001-2D	TA4M001-5D	446	82.5	280	26
1.5	1.1	3600	80	TA2M1.5-2C	TA2M1.5-5C	TA2M1.5-2D	TA2M1.5-5D	589	82.5	280	26
1	0.75	3600	80	PA2M001-2C	PA2M001-5C	PA2M001-2D	PA2M001-5D	442	85	280	26
		1800	80	PA4M001-2C	PA4M001-5C	PA4M001-2D	PA4M001-5D	446	85.4	280	26
		1200	90S	PA6M001-2C	PA6M001-5C	PA6M001-2D	PA6M001-5D	616	82.5	325	31
1.5	1.1	3600	80	PA2M1.5-2C	PA2M1.5-5C	PA2M1.5-2D	PA2M1.5-5D	503	84.1	280	26
		1800	90S	PA4M1.5-2C	PA4M1.5-5C	PA4M1.5-2D	PA4M1.5-5D	599	86	325	31
		1200	90L	PA6M1.5-2C	PA6M1.5-5C	PA6M1.5-2D	PA6M1.5-5D	703	87.5	350	36
2	1.5	3600	90S	PA2M002-2C	PA2M002-5C	PA2M002-2D	PA2M002-5D	618	85.5	325	31
		1800	90L	PA4M002-2C	PA4M002-5C	PA4M002-2D	PA4M002-5D	674	86.5	350	36
		1200	100L	PA6M002-2C	PA6M002-5C	PA6M002-2D	PA6M002-5D	867	88.5	388	50
3	2.2	3600	90L	PA2M003-2C	PA2M003-5C	PA2M003-2D	PA2M003-5D	692	86.5	350	36
		1800	100L	PA4M003-2C	PA4M003-5C	PA4M003-2D	PA4M003-5D	838	89.5	388	50
		1200	112M	PA6M003-2C	PA6M003-5C	PA6M003-2D	PA6M003-5D	1,111	89.5	405	66
4	3	3600	100L	PA2M004-2C	PA2M004-5C	PA2M004-2D	PA2M004-5D	\$901	88.5	388	50
		1800	100L	PA4M004-2C	PA4M004-5C	PA4M004-2D	PA4M004-5D	910	89.5	388	50
		1200	132S	PA6M004-2C	PA6M004-5C	PA6M004-2D	PA6M004-5D	1,458	89.5	467	110
5.5	4	3600	112M	PA2M5.5-2C	PA2M5.5-5C	PA2M5.5-2D	PA2M5.5-5D	1,045	88.5	405	66
		1800	112M	PA4M5.5-2C	PA4M5.5-5C	PA4M5.5-2D	PA4M5.5-5D	1,037	89.5	405	66
		1200	132M	PA6M5.5-2C	PA6M5.5-5C	PA6M5.5-2D	PA6M5.5-5D	1,695	89.5	505	129
7.5	5.5	3600	132S	PA2M7.5-2C	PA2M7.5-5C	PA2M7.5-2D	PA2M7.5-5D	1,373	89.5	467	110
		1800	132S	PA4M7.5-2C	PA4M7.5-5C	PA4M7.5-2D	PA4M7.5-5D	1,473	91.7	467	110
		1200	132M	PA6M7.5-2C	PA6M7.5-5C	PA6M7.5-2D	PA6M7.5-5D	1,914	91	505	129
10	7.5	3600	132S	PA2M010-2C	PA2M010-5C	PA2M010-2D	PA2M010-5D	1,491	90.2	467	110
		1800	132M	PA4M010-2C	PA4M010-5C	PA4M010-2D	PA4M010-5D	1,819	91.7	505	129

Note: TA Models 1HP and 1.5HP 80 Frame Are Exempt From E.I.S.A. Legislation

Note: C & D Flanges may not be available from stock & could be supplied as stock modification

Discount Category **17**



IEC Frame
B3 Foot Mounted
3PH, 60 Hz
Cast Iron Construction

Performance - See Previous Catalog;
Dimensions - See Previous Catalog.



CC096A

Features:

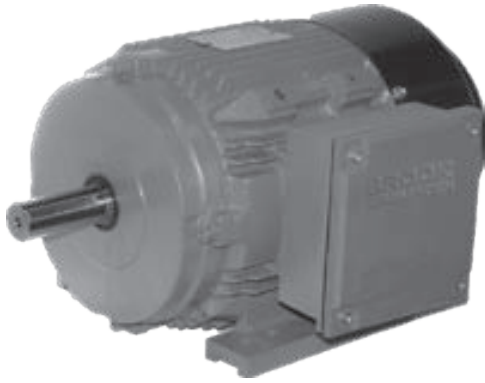
- NEMA MG1-PART 31 Inverter Duty
15:1 Constant Torque, 20:1 Variable Torque
- Severe Duty
- Service Factor 1.25
- IP55 degree of protection
- VPI Impregnation
- Internal Tropicproof
- Removable/ Repositional Feet for easy F1, F2, F3 or Round Body configuration
- Class F insulation
- Dual Rated 60/50Hz
- Warranty: 3 Years
- Thermistors included in motors
160M frame & above. 1 per phase

HP	KW	RPM	FRAME	VOLTAGE		LIST	FL EFF.	L Dim. (mm)	LBS
				230/460V	575V				
1	0.75	3600	80	PC2M001-4	PC2M001-5	\$476	77	280	51
		1800	80	PC4M001-4	PC4M001-5	471	85.4	280	51
		1200	90S	PC6M001-4	PC6M001-5	566	82.5	325	55
1.5	1.1	3600	80	PC2M1.5-4	PC2M1.5-5	453	84.1	280	51
		1800	90S	PC4M1.5-4	PC4M1.5-5	549	86	325	55
		1200	90L	PC6M1.5-4	PC6M1.5-5	653	87.5	350	60
2	1.5	3600	90S	PC2M002-4	PC2M002-5	568	85.5	325	55
		1800	90L	PC4M002-4	PC4M002-5	624	86.5	350	60
		1200	100L	PC6M002-4	PC6M002-5	797	88.5	388	90
3	2.2	3600	90L	PC2M003-4	PC2M003-5	642	86.5	350	60
		1800	100L	PC4M003-4	PC4M003-5	768	89.5	388	90
		1200	112M	PC6M003-4	PC6M003-5	1,041	89.5	405	114
4	3	3600	100L	PC2M004-4	PC2M004-5	831	88.5	388	90
		1800	100L	PC4M004-4	PC4M004-5	840	89.5	388	90
		1200	132S	PC6M004-4	PC6M004-5	1,333	89.5	467	170
5.5	4	3600	112M	PC2M5.5-4	PC2M5.5-5	965	88.5	405	114
		1800	112M	PC4M5.5-4	PC4M5.5-5	957	89.5	405	114
		1200	132M	PC6M5.5-4	PC6M5.5-5	1,570	89.5	505	194
7.5	5.5	3600	132S	PC2M7.5-4	PC2M7.5-5	1,248	89.5	467	170
		1800	132S	PC4M7.5-4	PC4M7.5-5	1,348	91.7	467	170
		1200	132M	PC6M7.5-4	PC6M7.5-5	1,789	91	505	194
10	7.5	3600	132S	PC2M010-4	PC2M010-5	1,366	90.2	467	170
		1800	132M	PC4M010-4	PC4M010-5	1,694	91.7	505	194
		1200	160M	PC6M010-4	PC6M010-5	2,453	91	605	309
15	11	3600	160M	PC2M015-4	PC2M015-5	2,295	91	605	309
		1800	160M	PC4M015-4	PC4M015-5	2,399	92.4	605	309
		1200	160L	PC6M015-4	PC6M015-5	3,161	91.7	650	346

Note: C & D Flanges may not be available from stock & could be supplied as stock modification

Discount Category **18**

PE III SERIES PREMIUM EFFICIENCY
Cast Iron Construction - TEFC



IEC Frame
B3 Foot Mounted
3PH, 60 Hz
Cast Iron Construction

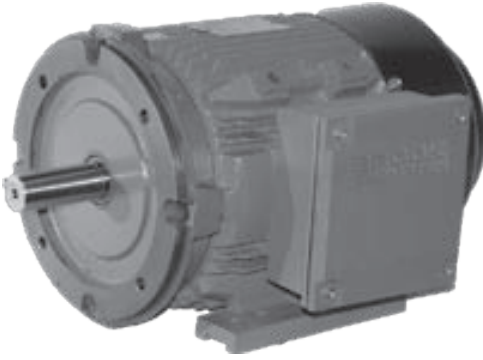
Performance - See Previous Catalog
Dimensions - See Previous Catalog

HP	KW	RPM	FRAME	VOLTAGE		LIST	FL EFF.	L Dim. (mm)	LBS
				230/460V	575V				
20	15	3600	160M	PC2M020-4	PC2M020-5	\$2,574	91	605	309
		1800	160L	PC4M020-4	PC4M020-5	2,950	93	650	346
		1200	180L	PC6M020-4	PC6M020-5	3,732	91.7	725	443
25	18.5	3600	160L	PC2M025-4	PC2M025-5	2,931	91.7	650	346
		1800	180M	PC4M025-4	PC4M025-5	3,324	93.6	687	441
		1200	200L	PC6M025-4	PC6M025-5	4,670	93	768	654
30	22	3600	180M	PC2M030-4	PC2M030-5	3,778	91.7	687	441
		1800	180L	PC4M030-4	PC4M030-5	4,334	93	725	443
		1200	200L	PC6M030-4	PC6M030-5	5,453	92.4	768	654
40	30	3600	200L	PC2M040-4	PC2M040-5	5,398	92.4	768	654
		1800	200L	PC4M040-4	PC4M040-5	5,574	94.1	768	654
		1200	225M	PC6M040-4	PC6M040-5	7,174	94.1	839	958
50	37	3600	200L	PC2M050-4	PC2M050-5	5,965	93	768	654
		1800	225S	PC4M050-4	PC4M050-5	6,881	94.5	814	886
		1200	250M	PC6M050-4	PC6M050-5	8,833	94.1	918	1092
60	45	3600	225M	PC2M060-4	PC2M060-5	7,453	93.6	809	958
		1800	225M	PC4M060-4	PC4M060-5	7,698	95	839	958
		1200	280S	PC6M060-4	PC6M060-5	10,991	94.5	1035	1858
75	55	3600	250M	PC2M075-4	PC2M075-5	9,310	93.3	918	1092
		1800	250M	PC4M075-4	PC4M075-5	9,539	95.4	918	1092
		1200	280M	PC6M075-4	PC6M075-5	12,495	94.5	1035	1947
100	75	3600	280S	PC2M100-4	PC2M100-5	11,514	94.1	984	1858
		1800	280S	PC4M100-4	PC4M100-5	11,989	95.4	1035	1858
		1200	315S	PC6M100-4	PC6M100-5	21,915	95	1190	-
125	90	3600	280M	PC2M125-9	PC2M125-5	13,197	95	984	-
		1800	280M	PC4M125-9	PC4M125-5	13,596	95.4	1035	-
		1200	315M	PC6M125-9	PC6M125-5	23,852	95	1340	-
150	110	3600	315S	PC2M150-9	PC2M150-5	24,302	95	1160	-
		1800	315S	PC4M150-9	PC4M150-5	22,157	95	1190	-
		1200	315L	PC6M150-9	PC6M150-5	26,972	95.8	1340	-
200	150	3600	315M	PC2M200-9	PC2M200-5	26,591	95.4	1310	-
		1800	315M	PC4M200-9	PC4M200-5	27,611	96.2	1340	-

Note: Models ending in -9 are 460V

Note: C & D Flanges may not be available from stock & could be supplied as stock modification

Discount Category **18**



IEC Frame B14 (C Face) & B5 (D Flange) With Removable Feet 3PH, 60 Hz Cast Iron Construction

*Performance - See Previous Catalog;
Dimensions - See Previous Catalog.*



Features:

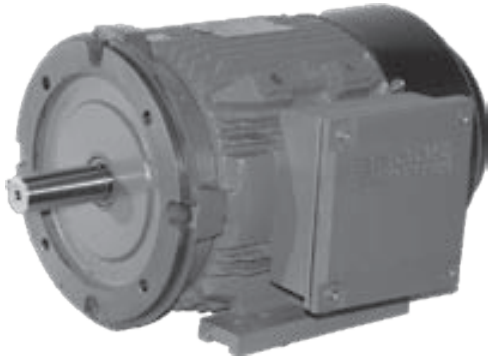
- NEMA MG1-PART 31 Inverter Duty
15:1 Constant Torque, 20:1 Variable Torque
- Severe Duty
- Service Factor 1.25
- IP55 degree of protection
- VPI Impregnation
- Internal Tropicproof
- Removable/ Re-positional Feet for easy F1, F2, F3 or Round Body configuration
- Class F insulation
- Dual Rated 60/50Hz
- Warranty: 3 Years
- Thermistors included in motors
160M frame & above. 1 per phase

HP	KW	RPM	FRAME	C FACE (B14)		D FLANGE (B5)		LIST	FL EFF.	L Dim. (mm)	LBS
				230/460V	575V	230/460V	575V				
1	0.75	3600	80	PC2M001-4C	PC2M001-5C	PC2M001-4D	PC2M001-5D	516	77	280	51
		1800	80	PC4M001-4C	PC4M001-5C	PC4M001-4D	PC4M001-5D	511	85.4	280	51
		1200	90S	PC6M001-4C	PC6M001-5C	PC6M001-4D	PC6M001-5D	616	82.5	325	55
1.5	1.1	3600	80	PC2M1.5-4C	PC2M1.5-5C	PC2M1.5-4D	PC2M1.5-5D	493	84.1	280	51
		1800	90S	PC4M1.5-4C	PC4M1.5-5C	PC4M1.5-4D	PC4M1.5-5D	599	86	325	55
		1200	90L	PC6M1.5-4C	PC6M1.5-5C	PC6M1.5-4D	PC6M1.5-5D	703	87.5	350	60
2	1.5	3600	90S	PC2M002-4C	PC2M002-5C	PC2M002-4D	PC2M002-5D	618	85.5	325	55
		1800	90L	PC4M002-4C	PC4M002-5C	PC4M002-4D	PC4M002-5D	674	86.5	350	60
		1200	100L	PC6M002-4C	PC6M002-5C	PC6M002-4D	PC6M002-5D	867	88.5	388	90
3	2.2	3600	90L	PC2M003-4C	PC2M003-5C	PC2M003-4D	PC2M003-5D	692	86.5	350	60
		1800	100L	PC4M003-4C	PC4M003-5C	PC4M003-4D	PC4M003-5D	838	89.5	388	90
		1200	112M	PC6M003-4C	PC6M003-5C	PC6M003-4D	PC6M003-5D	1111	89.5	405	114
4	3	3600	100L	PC2M004-4C	PC2M004-5C	PC2M004-4D	PC2M004-5D	901	88.5	388	90
		1800	100L	PC4M004-4C	PC4M004-5C	PC4M004-4D	PC4M004-5D	910	89.5	388	90
		1200	132S	PC6M004-4C	PC6M004-5C	PC6M004-4D	PC6M004-5D	1458	89.5	467	170
5.5	4	3600	112M	PC2M5.5-4C	PC2M5.5-5C	PC2M5.5-4D	PC2M5.5-5D	1045	88.5	405	114
		1800	112M	PC4M5.5-4C	PC4M5.5-5C	PC4M5.5-4D	PC4M5.5-5D	1037	89.5	405	114
		1200	132M	PC6M5.5-4C	PC6M5.5-5C	PC6M5.5-4D	PC6M5.5-5D	1695	89.5	505	194
7.5	5.5	3600	132SA	PC2M7.5-4C	PC2M7.5-5C	PC2M7.5-4D	PC2M7.5-5D	1373	89.5	467	170
		1800	132S	PC4M7.5-4C	PC4M7.5-5C	PC4M7.5-4D	PC4M7.5-5D	1473	91.7	467	170
		1200	132M	PC6M7.5-4C	PC6M7.5-5C	PC6M7.5-4D	PC6M7.5-5D	1914	91	505	194
10	7.5	3600	132S	PC2M010-4C	PC2M010-5C	PC2M010-4D	PC2M010-5D	1491	90.2	467	170
		1800	132M	PC4M010-4C	PC4M010-5C	PC4M010-4D	PC4M010-5D	1819	91.7	505	194
		1200	160M	PC6M010-4C	PC6M010-5C	PC6M010-4D	PC6M010-5D	2678	91	605	309
15	11	3600	160M	PC2M015-4C	PC2M015-5C	PC2M015-4D	PC2M015-5D	2520	91	605	309
		1800	160M	PC4M015-4C	PC4M015-5C	PC4M015-4D	PC4M015-5D	2624	92.4	605	309
		1200	160L	PC6M015-4C	PC6M015-5C	PC6M015-4D	PC6M015-5D	3386	91.7	650	346

Note: C & D Flanges may not be available from stock & could be supplied as stock modification

Discount Category **18**

*Performance - See Previous Catalog.
 Dimensions - See Previous Catalog.*



IEC Frame
B14 (C Face) & B5 (D Flange)
With Removable Feet
3PH, 60 Hz
Cast Iron Construction

HP	KW	RPM	FRAME	C FACE (B14)		D FLANGE (B5)		LIST	FL EFF.	L Dim. (mm)	LBS
				230/460V	575V	230/460V	575V				
20	15	3600	160M	PC2M020-4C	PC2M020-5C	PC2M020-4D	PC2M020-5D	\$2,799	91	605	309
		1800	160L	PC4M020-4C	PC4M020-5C	PC4M020-4D	PC4M020-5D	3,175	93	650	346
		1200	180L			PC6M020-4D	PC6M020-5D	4,052	91.7	725	443
25	18.5	3600	160L	PC2M025-4C	PC2M025-5C	PC2M025-4D	PC2M025-5D	3,156	91.7	650	346
		1800	180M			PC4M025-4D	PC4M025-5D	3,644	93.6	687	441
		1200	200L			PC6M025-4D	PC6M025-5D	5,145	93	768	654
30	22	3600	180M			PC2M030-4D	PC2M030-5D	4,003	91.7	687	441
		1800	180L			PC4M030-4D	PC4M030-5D	4,654	93	725	443
		1200	200L			PC6M030-4D	PC6M030-5D	5,928	92.4	768	654
40	30	3600	200L			PC2M040-4D	PC2M040-5D	5,873	92.4	768	654
		1800	200L			PC4M040-4D	PC4M040-5D	6,049	94.1	768	654
		1200	225M			PC6M040-4D	PC6M040-5D	7,829	94.1	839	958
50	37	3600	200L			PC2M050-4D	PC2M050-5D	6,440	93	768	654
		1800	225S			PC4M050-4D	PC4M050-5D	7,536	94.5	814	886
		1200	250M			PC6M050-4D	PC6M050-5D	9,758	94.1	918	1092
60	45	3600	225M			PC2M060-4D	PC2M060-5D	8,108	93.6	809	958
		1800	225M			PC4M060-4D	PC4M060-5D	8,353	95	839	958
		1200	250M			PC6M060-4D	PC6M060-5D	11,916	94.5	1035	1858
75	55	3600	250M			PC2M075-4D	PC2M075-5D	10,235	93.3	918	1092
		1800	250M			PC4M075-4D	PC4M075-5D	10,464	95.4	918	1092
		1200	280M			PC6M075-4D	PC6M075-5D	13,870	94.5	1035	1947
100	75	3600	280S			PC2M100-4D	PC2M100-5D	12,439	94.1	984	1858
		1800	280S			PC4M100-4D	PC4M100-5D	13,364	95.4	1035	1858
		1200	315S			PC6M100-4D	PC6M100-5D	24,535	95	1190	-
125	90	3600	280M			PC2M125-9D	PC2M125-5D	14,572	95	984	-
		1800	280M			PC4M125-9D	PC4M125-5D	14,971	95.4	1035	-
		1200	315M			PC6M125-9D	PC6M125-5D	26,472	95	1340	-
150	110	3600	315S			PC2M150-9D	PC2M150-5D	26,922	95	1160	-
		1800	315S			PC4M150-9D	PC4M150-5D	24,237	95	1190	-
		1200	315L			PC6M150-9D	PC6M150-5D	29,592	95.8	1340	-
200	150	3600	315M			PC2M200-9D	PC2M200-5D	29,211	95.4	1310	-
		1800	315M			PC4M200-9D	PC4M200-5D	30,231	96.2	1340	-

Note: Models ending in -9D are 460V

Note: C & D Flanges may not be available from stock & could be supplied as stock modification



NEMA Frame
Foot Mounted
3PH, 60 Hz
Aluminum Construction

Performance - Page 77
Dimensions - Pages 67-68
Plus Additional Length
shown below



FOOT MOUNTED						
HP	RPM	FRAME	BRAKE FT. LBS	VOLTAGE		LIST
				230/460*	575	
0.5	1800	56	6	BF4N.50-2BRK	BF4N.50-5BRK	\$1,599
0.5	1200	56	6	BF6N.50-2BRK	BF6N.50-5BRK	1,706
0.75	3600	56	6	BF2N.75-2BRK	BF2N.75-5BRK	1,633
0.75	1800	56	6	BF4N.75-2BRK	BF4N.75-5BRK	1,611
0.75	1200	56	6	BF6N.75-2BRK	BF6N.75-5BRK	1,742
1	3600	56	6	BF2N001-2BRK	BF2N001-5BRK	1,669
1	1800	56	6	BF4N001-2BRK	BF4N001-5BRK	1,626
1	1800	143T	11	BA4N001-4BRK	BA4N001-5BRK	2,012
1	1200	145T	11	BA6N001-4BRK	BA6N001-5BRK	2,070
1.5	3600	56	6	BF2N1.5-2BRK	BF2N1.5-5BRK	1,709
1.5	1800	56	6	BF4N1.5-2BRK	BF4N1.5-5BRK	1,642
1.5	3600	143T	11	BA2N1.5-4BRK	BA2N1.5-5BRK	2,037
1.5	1800	145T	11	BA4N1.5-4BRK	BA4N1.5-5BRK	2,053
1.5	1200	182T	11	BA6N1.5-4BRK	BA6N1.5-5BRK	2,576
2	3600	145T	27.7	BA2N002-4BRK	BA2N002-5BRK	2,089
2	1800	145T	11	BA4N002-4BRK	BA4N002-5BRK	2,088
2	1200	184T	27.7	BA6N002-4BRK	BA6N002-5BRK	2,624
3	3600	182T	27.7	BA2N003-4BRK	BA2N003-5BRK	2,588
3	1800	182T	27.7	BA4N003-4BRK	BA4N003-5BRK	2,595
3	1200	213T	59.9	BA6N003-4BRK	BA6N003-5BRK	3,187
5	3600	184T	27.7	BA2N005-4BRK	BA2N005-5BRK	2,657
5	1800	184T	27.7	BA4N005-4BRK	BA4N005-5BRK	2,603
5	1200	215T	59.9	BA6N005-4BRK	BA6N005-5BRK	3,487
7.5	3600	213T	59.9	BA2N7.5-4BRK	BA2N7.5-5BRK	3,204
7.5	1800	213T	59.9	BA4N7.5-4BRK	BA4N7.5-5BRK	3,251
10	3600	215T	59.9	BA2N010-4BRK	BA2N010-5BRK	3,460
10	1800	215T	59.9	BA4N010-4BRK	BA4N010-5BRK	3,480

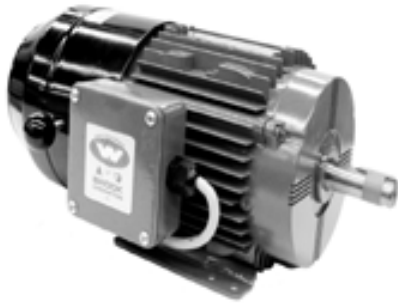
***56 FRAME SUPPLIED ~ 208-230/460 VOLT**

*All 230/460 volt motors supplied with 230 volt coil on brake.
- 575 volt motors supplied with 575 volt coil.

NOTE: Dimensionally motors are the same as shown on Page 67-68 with the exception of the 'C' dimension which is increased as follows

Frame Size	Additional Length (Inches)
56	3.5"
143/5T	3.5"
182/4T	3.5"
213/5T	4.5"

Discount Category 15



NEMA Frame
Flange Mounted
3PH, 60 Hz
Aluminum Construction

Performance - Page 77
Dimensions - Pages 67-68
Plus Additional Length
shown below

C FACE MOUNTED						
HP	RPM	FRAME	BRAKE FT. LBS	VOLTAGE		LIST
				230/460*	575	
0.5	1800	56	6	BF4N.50-2CBRK	BF4N.50-5CBRK	\$1,639
0.5	1200	56	6	BF6N.50-2CBRK	BF6N.50-5CBRK	1,746
0.75	3600	56	6	BF2N.75-2CBRK	BF2N.75-5CBRK	1,673
0.75	1800	56	6	BF4N.75-2CBRK	BF4N.75-5CBRK	1,651
0.75	1200	56	6	BF6N.75-2CBRK	BF6N.75-5CBRK	1,782
1	3600	56	6	BF2N001-2CBRK	BF2N001-5CBRK	1,709
1	1800	56	6	BF4N001-2CBRK	BF4N001-5CBRK	1,666
1	1800	143T	11	BA4N001-4CBRK	BA4N001-5CBRK	2,057
1	1200	145T	11	BA6N001-4CBRK	BA6N001-5CBRK	2,115
1.5	3600	56	6	BF2N1.5-2CBRK	BF2N1.5-5CBRK	1,749
1.5	1800	56	6	BF4N1.5-2CBRK	BF4N1.5-5CBRK	1,682
1.5	3600	143T	11	BA2N1.5-4CBRK	BA2N1.5-5CBRK	2,082
1.5	1800	145T	11	BA4N1.5-4CBRK	BA4N1.5-5CBRK	2,098
1.5	1200	182T	11	BA6N1.5-4CBRK	BA6N1.5-5CBRK	2,641
2	3600	145T	27.7	BA2N002-4CBRK	BA2N002-5CBRK	2,134
2	1800	145T	11	BA4N002-4CBRK	BA4N002-5CBRK	2,133
2	1200	184T	27.7	BA6N002-4CBRK	BA6N002-5CBRK	2,689
3	3600	182T	27.7	BA2N003-4CBRK	BA2N003-5CBRK	2,653
3	1800	182T	27.7	BA4N003-4CBRK	BA4N003-5CBRK	2,660
3	1200	213T	59.9	BA6N003-4CBRK	BA6N003-5CBRK	3,287
5	3600	184T	27.7	BA2N005-4CBRK	BA2N005-5CBRK	2,722
5	1800	184T	27.7	BA4N005-4CBRK	BA4N005-5CBRK	2,668
5	1200	215T	59.9	BA6N005-4CBRK	BA6N005-5CBRK	3,587
7.5	3600	213T	59.9	BA2N7.5-4CBRK	BA2N7.5-5CBRK	3,304
7.5	1800	213T	59.9	BA4N7.5-4CBRK	BA4N7.5-5CBRK	3,351
10	3600	215T	59.9	BA2N010-4CBRK	BA2N010-5CBRK	3,560
10	1800	215T	59.9	BA4N010-4CBRK	BA4N010-5CBRK	3,580

***56 FRAME SUPPLIED ~ 208-230/460 VOLT**

*All 230/460 volt motors supplied with 230 volt coil on brake.
- 575 volt motors supplied with 575 volt coil.

NOTE: Dimensionally motors are the same as shown on Page 67-68 with the exception of the 'C' dimension which is increased as follows

Frame Size	Additional Length (Inches)
56	3.5"
143/5T	3.5"
182/4T	3.5"
213/5T	4.5"

Discount Category **15**



IEC Frame Foot Mounted 3PH, 60 Hz Aluminum Construction

Performance - Page 81
Dimensions - Pages 69-70
Plus Additional Length
shown below



FOOT MOUNTED						
HP	RPM	FRAME	BRAKE FT. LBS	VOLTAGE		LIST
				230/460*	575	
0.50	1800	71	1.8	BA4M.50-4BRK	BA4M.50-5BRK	\$1,252
0.50	1200	80	6	BA6M.50-4BRK	BA6M.50-5BRK	1,643
0.75	3600	71	1.8	BA2M.75-4BRK	BA2M.75-5BRK	1,248
0.75	1800	80	6	BA4M.75-4BRK	BA4M.75-5BRK	1,640
0.75	1200	80	6	BA6M.75-4BRK	BA6M.75-5BRK	1,672
1	3600	80	6	BA2M001-4BRK	BA2M001-5BRK	1,697
1	1800	80	6	BA4M001-4BRK	BA4M001-5BRK	1,701
1	1200	90S	11	BA6M001-4BRK	BA6M001-5BRK	2,116
1.5	3600	80	6	BA2M1.5-4BRK	BA2M1.5-5BRK	1,753
1.5	1800	90S	11	BA4M1.5-4BRK	BA4M1.5-5BRK	2,099
1.5	1200	90L	11	BA6M1.5-4BRK	BA6M1.5-5BRK	2,203
2	3600	90S	11	BA2M002-4BRK	BA2M002-5BRK	2,118
2	1800	90L	11	BA4M002-4BRK	BA4M002-5BRK	2,174
2	1200	100L	27.7	BA6M002-4BRK	BA6M002-5BRK	2,477
3	3600	90L	11	BA2M003-4BRK	BA2M003-5BRK	2,192
3	1800	100L	27.7	BA4M003-4BRK	BA4M003-5BRK	2,448
3	1200	112M	27.7	BA6M003-4BRK	BA6M003-5BRK	2,916
4	3600	100L	27.7	BA2M004-4BRK	BA2M004-5BRK	2,511
4	1800	100L	27.7	BA4M004-4BRK	BA4M004-5BRK	2,520
4	1200	132S	59.9	BA6M004-4BRK	BA6M004-5BRK	3,533
5.5	3600	112M	27.7	BA2M5.5-4BRK	BA2M5.5-5BRK	2,840
5.5	1800	112M	27.7	BA4M5.5-4BRK	BA4M5.5-5BRK	2,832
5.5	1200	132M	59.9	BA6M5.5-4BRK	BA6M5.5-5BRK	3,770
7.5	3600	132S	59.9	BA2M7.5-4BRK	BA2M7.5-5BRK	3,448
7.5	1800	132S	59.9	BA4M7.5-4BRK	BA4M7.5-5BRK	3,548
7.5	1200	132M	59.9	BA6M7.5-4BRK	BA6M7.5-5BRK	3,989
10	3600	132S	59.9	BA2M010-4BRK	BA2M010-5BRK	3,566
10	1800	132M	59.9	BA4M010-4BRK	BA4M010-5BRK	3,894

NOTE: Dimensionally motors are the same as shown on Page 69-70 with the exception of the 'L' dimension which is increased as follows

Frame Size	Additional Length (mm)
71	57
80	57
90S/L	90
100	90
112	90
132S/M	115

* - All 230/460 volt motors supplied with 230 volt coil on brake.
- 575 volt motors supplied with 575 volt coil.

Discount Category 15



IEC Frame
Flange Mounted
3PH, 60 Hz
Aluminum Construction

Performance - Page 81
Dimensions - Pages 69-70
Plus Additional Length
shown below

C or D FLANGE MOUNTED (B14 or B5)						
HP	RPM	FRAME	BRAKE FT. LBS	VOLTAGE		LIST
				230/460*	575	
0.50	1800	71	1.8	BA4M.50-4CBRK	BA4M.50-5CBRK	\$1,292
0.50	1200	80	6	BA6M.50-4CBRK	BA6M.50-5CBRK	1,688
0.75	3600	71	1.8	BA2M.75-4CBRK	BA2M.75-5CBRK	1,293
0.75	1800	80	6	BA4M.75-4CBRK	BA4M.75-5CBRK	1,685
0.75	1200	80	6	BA6M.75-4CBRK	BA6M.75-5CBRK	1,717
1	3600	80	6	BA2M001-4CBRK	BA2M001-5CBRK	1,742
1	1800	80	6	BA4M001-4CBRK	BA4M001-5CBRK	1,746
1	1200	90S	11	BA6M001-4CBRK	BA6M001-5CBRK	2,166
1.5	3600	80	6	BA2M1.5-4CBRK	BA2M1.5-5CBRK	1,803
1.5	1800	90S	11	BA4M1.5-4CBRK	BA4M1.5-5CBRK	2,149
1.5	1200	90L	11	BA6M1.5-4CBRK	BA6M1.5-5CBRK	2,253
2	3600	90S	11	BA2M002-4CBRK	BA2M002-5CBRK	2,168
2	1800	90L	11	BA4M002-4CBRK	BA4M002-5CBRK	2,224
2	1200	100L	27.7	BA6M002-4CBRK	BA6M002-5CBRK	2,547
3	3600	90L	11	BA2M003-4CBRK	BA2M003-5CBRK	2,242
3	1800	100L	27.7	BA4M003-4CBRK	BA4M003-5CBRK	2,518
3	1200	112M	27.7	BA6M003-4CBRK	BA6M003-5CBRK	2,986
4	3600	100L	27.7	BA2M004-4CBRK	BA2M004-5CBRK	2,581
4	1800	100L	27.7	BA4M004-4CBRK	BA4M004-5CBRK	2,590
4	1200	132S	59.9	BA6M004-4CBRK	BA6M004-5CBRK	3,658
5.5	3600	112M	27.7	BA2M5.5-4CBRK	BA2M5.5-5CBRK	2,920
5.5	1800	112M	27.7	BA4M5.5-4CBRK	BA4M5.5-5CBRK	2,912
5.5	1200	132M	59.9	BA6M5.5-4CBRK	BA6M5.5-5CBRK	3,895
7.5	3600	132S	59.9	BA2M7.5-4CBRK	BA2M7.5-5CBRK	3,573
7.5	1800	132S	59.9	BA4M7.5-4CBRK	BA4M7.5-5CBRK	3,673
7.5	1200	132M	59.9	BA6M7.5-4CBRK	BA6M7.5-5CBRK	4,114
10	3600	132S	59.9	BA2M010-4CBRK	BA2M010-5CBRK	3,691
10	1800	132M	59.9	BA4M010-4CBRK	BA4M010-5CBRK	4,019

* - All 230/460 volt motors supplied with 230 volt coil on brake.
- 575 volt motors supplied with 575 volt coil.
- For D Flange Change C to D in Part Number
Example (BA4M.50-2CBRK to BA4M.50-2DBRK)

NOTE: Dimensionally motors are the same as shown on Page 69-70 with the exception of the 'L' dimension which is increased as follows

Frame Size	Additional Length (mm)
71	57
80	57
90S/L	90
100	90
112	90
132S/M	115

Discount Category **15**

VARIABLE TORQUE - 1800/900 RPM				
HP	ONE WINDING		TWO WINDING	
	FRAME	LIST	FRAME	LIST
1/.25	143T	\$1435	145T	\$1885
1.5/.38	145T	1491	182T	2067
2/.5	145T	1491	182T	2256
3/.75	182T	1820	184T	2363
5/1.25	184T	2109	213T	3180
7.5/1.9	213T	2708	215T	3651
10/2.5	215T	3229	254T	4137
15/3.8	254T	3612	256T	5182
20/5	256T	4444	284T	6078
25/6.3	284T	5119	286T	7088
30/7.5	286T	6043	324T	8619
40/10	324T	7385	326T	10481
50/12	326T	8987	364T	14117
60/15	364T	12399	365T	17098
75/18	365T	15582	405T	20060
100/25	405T	19437	444T	23275
125/31	444T	24245	445T	33514
150/37	445T	29587	504Z	43419

CONSTANT TORQUE - 1800/900				
HP	ONE WINDING		TWO WINDING	
	FRAME	LIST	FRAME	LIST
1/.5	145T	\$1491	182T	\$2067
1.5/.75	182T	1820	184T	2274
2/1	182T	1820	184T	2363
3/1.5	184T	2109	213T	3180
5/2.5	213T	2708	215T	3651
7.5/3.8	215T	3229	254T	4137
10/5	254T	3612	256T	5182
15/7.5	256T	4444	284T	6278
20/10	284T	5119	286T	7086
25/12.5	286T	6043	324T	8619
30/15	324T	7385	326T	10481
40/20	326T	8987	364T	14117
50/25	364T	12399	365T	17098
60/30	365T	15582	405T	20060
75/38	405T	19437	444T	23275
100/50	444T	24245	445T	33514
125/63	445T	29587	504Z	43419
150/75	504Z	35144		

1800/1200 RPM TWO WINDING					
HP	VARIABLE TORQUE		HP	CONSTANT TORQUE	
	FRAME	LIST		FRAME	LIST
1/.44	145T	\$1885	1/.67	182T	\$2067
1.5/.67	182T	2067	1.5/1	184T	2274
2/.9	182T	2256	2/1.3	184T	2363
3/1.3	184T	2363	3/2	213T	3180
5/2.2	213T	3180	5/3.3	215T	3651
7.5/3.3	215T	3651	7.5/5	254T	4137
10/4.4	254T	4137	10/6.7	256T	5182
15/6.7	256T	5182	15/10	284T	6278
20/8.9	284T	6078	20/13	286T	7086
25/11	286T	7088	25/17	324T	8619
30/9	324T	8619	30/20	326T	10481
40/12	326T	10481	40/27	364T	14117
50/15	364T	14117	50/33	365T	17098
60/18	365T	17098	60/40	405T	20060
75/22	405T	20060	75/50	444T	23275
100/30	444T	23275	100/67	445T	33514
125/37	445T	33514	125/63	504Z	43419
150/45	504Z	43,419			

The following are the most commonly used methods of mounting electric motors.

SLIDE RAILS									
FRAME	143/5T	182/4T	213/5T	254/6T	284/6T	324/6T	364/5T	404/5T	444/5T
STOCK No.	2800001	2800003	2800005	2800007	2800009	2800011	2800013	2800015	2800017
LIST	\$41	67	67	116	116	232	232	373	373

SLIDE BASES (Double adjustment screw type)											
FRAME	56	143T	145T	182T	184T	213T	215T	254T	256T	284T	286T
STOCK No.	5800000	5800001	5800002	5800003	5800004	5800005	5800006	5800007	5800008	5800009	5800010
LIST	\$58	58	58	71	71	91	91	104	104	112	112

FRAME	324T	326T	364T	365T	404T	405T	444T	445T	447T	504	505
STOCK No.	5800011	5800012	5800013	5800014	5800015	5800016	5800017	5800018	5800019	5800020	5800021
LIST	\$140	140	171	171	272	272	341	341	356	694	694

TRANSITION BASES			
RERATED FRAME SIZE	FORMER FRAME	STOCK No	LIST
143T, 145T	182,184	1814T	\$38
182T, 184T	213, 215	2118T	49
213T, 215T	254U, 256U	25U21T	55
254T,256T	284U, 286U	28U25T	60
284T, 286T	324U, 326U	32U28T	95
284TS, 286TS	326S	32S28TS	207
324T, 326T	364U, 365U	36U32T	109
364TS, 365TS	404U, 405U	40U36T	120
364TS, 365TS	404US, 405US	40US36TS	362
364T, 365T	444US, 445US	44US36TS	362
404T, 405T	444U, 445U	44U40T	152
404TS, 405TS	444US,445US	44US40TS	420

Discount Category **30**

STOCK MODIFICATIONS FOR TEFC MOTORS

FRAME - NEMA	56	143/5	182/4	213/5	254/6	284/6	324/6	364/5	404/5	444/5	504/5
FRAME - METRIC	63/80	90	100/112	132	160	180	200	225	250	280	315
TEFC MODIFICATIONS											
SHAFTS											
MODIFIED (2)	\$180	\$216	\$255	\$315	\$450	\$536	\$646	\$880	\$1077	\$1545	\$1915
SINGLE ENDED (1)	607	681	779	932	1175	1550	2028	2815	3690	5218	6068
DOUBLE ENDED (1)	910	1022	1169	1398	1763	2325	2535	3518	4613	6524	7585
BLANKING PLATE WITH TAPPED HOLE	266	266	336	414	486	557	PRICING ON REQUEST				
EXTENDED LEADS UP TO 3'	235	235	245	295	355	450	570	685	980	1215	1450
SEALED BEARINGS	50	70	100	205	265	450	560	780	PRICING ON REQUEST		
BALL BEARING TO ROLLER					530	900	1210	1560	1750	2025	2300
EPOXY SPRAY/DIP & BAKE	250	250	320	470	500	525	700	840	1290	1600	2100
NAMEPLATES	110	110	110	110	110	110	110	110	110	110	110
TERMINAL BOARDS	100	100	150	150	200	200	320	320	470	470	470
CORROSION RESISTANT (3)	355	420	480	700	805	995	1295	PRICING ON REQUEST			
TROPIC PROOF (4)	225	250	265	390	410	430	560	665	1035	1265	1430
WEATHERPROOF IP56 (5)	306	367	429	651	753	944	1241	PRICING ON REQUEST			
THERMISTORS/KLIXONS (6)	435	435	435	475	505	545	885	985	1160	1335	1540
HEATERS 110 OR 220 VOLTS		490	490	680	820	820	885	950	980	1105	1275
DRIP COVERS	150	150	175	270	340	460	520	575	PRICING ON REQUEST		
AEGIS GROUNDING RING	420	450	470	540	645	690	730	840	1128	1260	1310
ENCODERS	PRICING ON REQUEST										
SHAFT GROUNDING RING	PRICING ON REQUEST										
FORCED VENT BLOWERS	PRICING ON REQUEST										
FEET IN PAIRS	75	86	106	157	218	294	376	527	601	903	

STOCK MODIFICATIONS FOR EXPLOSION PROOF MOTORS

FRAME - NEMA	56	143/5	182/4	213/5	254/6	284/6	324/6	364/5	404/5	444/5	504/5
FRAME - METRIC	63/80	90	100/112	132	160	180	200	225	250	280	315
EXPLOSION PROOF MODIFICATIONS											
SHAFTS											
MODIFIED (2)		\$266	\$305	\$365	\$500	\$586	\$696	\$920	\$1127	\$1590	\$1965
SINGLE ENDED (1)		730	830	985	1225	1600	2080	2865	4740	5270	6120
SEALED BEARINGS		100	150	315	450	675	840	PRICING ON REQUEST			
EPOXY SPRAY/DIP & BAKE		315	400	590	625	670	875	1050	1615	2000	2625
NAMEPLATES		110	110	110	110	110	110	110	110	110	110
CORROSION RESISTANT (3)		525	600	875	1005	1245	1615	PRICING ON REQUEST			
TROPIC PROOF (4)		315	330	490	510	535	700	830	1295	1577	1790
WEATHERPROOF IP56 (5)		460	540	815	945	1180	1550	PRICING ON REQUEST			
THERMISTORS/KLIXONS (6)		860	860	945	1010	1090	PRICING ON REQUEST				
ANTI-CONDENSATION HEATERS											
HEATERS 120 OR 220 VOLTS		975	975	1360	1620	1620	1760	1850	2000	2200	2500
DRIP COVERS		150	175	270	340	460	520	575	PRICING ON REQUEST		

- (1) All shaft prices are based on shaft details being to NEMA standard extensions in the case of double ended shafts. Single ended shafts with a maximum diameter not exceeding NEMA standards for the frame size.
- (2) Modified shafts cover a reduction in diameter of length with a new key. Any shaft modifications such as drilling and tapping the end of the shaft - multiple stepped shafts similar to close coupled - special material ie. Stainless steel are not covered and should be referred to TORONTO for pricing.
- (3) Corrosion Resistant (Mill & Chemical) - See point (5) IP56 Plus Corrosion resistant paint (requires Cast Iron motor).
- (4) Tropic Proof - Interior components treated with tropic proof varnish.
- (5) Weatherproof I (IP56) - tropicproof, sealed bearings, hylomar all spigots, seals both ends, drain holes lowest point. Sealed T box, Flinger shaft up.
- (6) Thermistors included N/C on 254/160 frame and above TEFC only. EXPLOSION PROOF NEMA THERMOSTATS INCLUDED.

REFER TO TORONTO FOR PRICING ON THE FOLLOWING:
 Special voltages and frequencies.
 WINDING EXTRAS (for motors specially wound)
 All prices are subject to the same discount as the motor.

W Range Premium Flange Kits

W Premium NEMA Flanges				
Frame	C Face	List	D Flange	List
	Stock Number		Stock Number	
56	27WL0002	\$40	-	\$40
143/5T	27WL0007	45	27WL0008	45
182T	27265214	65	27265157	65
182TCH	27265235	65	-	-
184T 2 POLE	27265214	65	27265157	65
184T 4 POLE	27WL0018	65	27WL0019	65
184TCH 2 POLE	27265235	65	-	-
184TCH 4 POLE	27WL0017	65	-	-
213/5T	27325257	100	27325175	100
254/6T	27415091	140	27415244	140
284/6T	27475142	220	27475150	220
324/6T	W1LWF/NM	260	W2FWD/NM	260
364/5T	W2FWF/NM	390	W2LWD/NM	390
404/5T	W3FWF/NM	620	W3LWD/NM	620
444/5T	W4FWF/NM	1,140	W3LWD/NM	1,140

W Premium Metric Flanges				
Frame	B14 - C Face	List	B5 - D Flange	List
	Stock Number		Stock Number	
63	27155031	\$40	27155067	\$40
71	27185110	40	27185084	40
80	27WL0004	45	27WL0005	45
90	27WL0010	50	27WL0011	50
100	27265049	70	27265023	70
112 2 POLE	27265049	70	27265023	70
112 4 POLE	27WL0020	70	27WL0021	70
132	27325064	125	27325034	125
160	27415102	225	27415019	225
180	-	-	27475024	320
200	-	-	W1RWD/SM	475
225S	-	-	W2FWD/SM	655
225M	-	-	W2LWD/SM	655
250S	-	-	W3FWD/SM	925
250M	-	-	W3LWD/SM	925
280S	-	-	W3LWD/SM	925
280M	-	-	W3LWD/SM	925
315S	-	-	W5FWD/SM	2,620
315L	-	-	W5LWD/SM	2,620

Note: Flange part numbers are for current models only.
Contact our office with the motor's serial number for other models.

Note: Discount codes are same as motor on pricing pages.

PEIII Premium Flange Kits

PEIII NEMA Aluminum Flanges				
Frame	C Face	List	D Flange	List
	Stock Number		Stock Number	
143/5T	PA143/5TC	\$45	PA143/5TD	\$45
182/4T 8.5"	PA182/4TC	65	PA182/4TD	65
182/4T 4.5"	PA182/4TCH	65	-	-
213/5T	PA213/5TC	100	PA213/5TD	100

PEIII NEMA Cast Iron Flanges				
Frame	C Face	List	D Flange	List
	Stock Number		Stock Number	
143/5T	TC143/5TC	\$45	TC143/5TD	\$45
182/4T	TC182/4TC	65	TC182/4TD	65
213/5T	TC213/5TC	100	TC213/5TD	100
254/6T	TC254/6TC	140	TC254/6TD	140
284/6T 2P	TC284/6TC	220	TC284/6TD	220
284/6T 4P	TC284/6TC	220	TC284/6TD	220
324/6T	TC324/6TC	260	TC324/6TD	260
364/5T 2P	TC364/5TC	390	TC364/5TD	390
364/5T 4P	TC364/5TC	390	TC364/5TD	390
404/5T 2P	TC404/5TC 2P	620	TC404/5TD 2P	620
404/5T 4P	TC404/5TC 4P	620	TC404/5TD 4P	620
444/5T 2P	TC444/5TC 2P	1,140	TC444/5TD 2P	1,140
444/5T 4P	TC444/5TC 4P	1,140	TC444/5TD 4P	1,140

PEIII IEC Aluminum Flanges				
Frame	B14 - C Face	List	B5 - D Flange	List
	Stock Number		Stock Number	
63	TA63C	\$40	TA63D	\$40
71	TA71C	40	TA71D	40
80	PA80C	40	PA80D	40
90	PA90C	50	PA90D	50
100	PA100C	70	PA100D	70
112	PA112C	70	PA112D	70
132	PA132C	125	PA132D	125

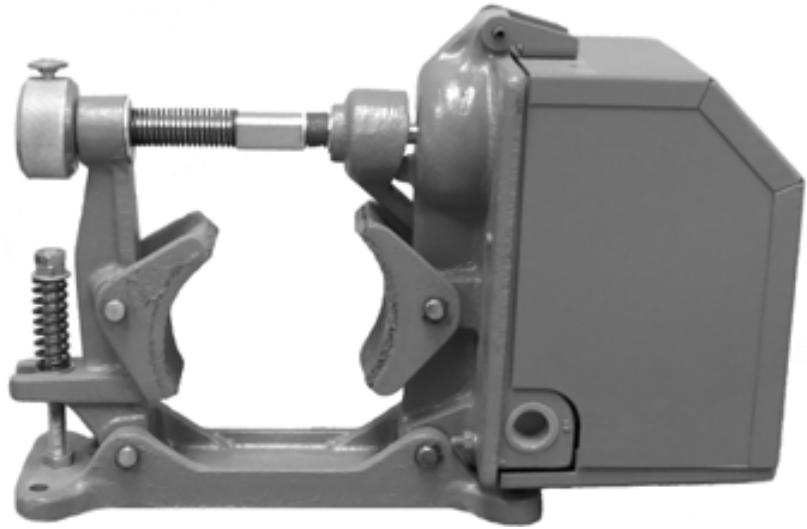
PEIII IEC Cast Iron Flanges				
Frame	B14 - C Face	List	B5 - D Flange	List
	Stock Number		Stock Number	
80	TC80C	\$40	TC80D	\$40
90	TC90C	50	TC90D	50
100	TC100C	70	TC100D	70
112	TC112C	70	TC112D	70
132	TC132C	125	TC132D	125
160	TC160C	225	TC160D	225
180	-	-	TC180D	320
200	-	-	TC200D	475
225	-	-	TC225D	655
250 B5	-	-	TC250D	925
250 2P	-	-	TC250D 2P	925
250 4P	-	-	TC250D 4P	925
280	-	-	TC280D	925
280 2P	-	-	TC280D 2P	925
280 4P	-	-	TC280D 4P	925
315 4P	-	-	TC315D 4P	2,620

Note: Flange part numbers are for current models only.
Contact our office with the motor's serial number for other models.

Note: Discount codes are same as motor on pricing pages.

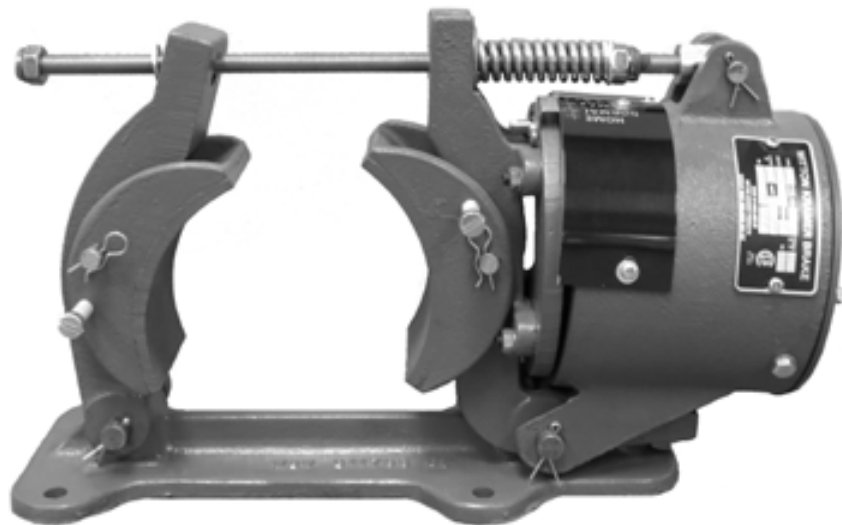
MAGNETIC SHOE BRAKES

Magnetic shoe brakes are used for a wide variety of applications. They are simple to use and maintain, and their operation can be controlled in a variety of different ways by means of external control equipment.



Applications

- Cranes
- Conveyors
- Process Lines
- Hoists:
 - Theatre Scenery
 - Furnace Skip
 - Dockside
 - Building Site
- Mining
- Ore Unloaders
- Rolling Mills
- Vehicle Wash Plant
- Ski Lifts
- Winches
- General Machinery Drives



Contact our office for details

Brook Crompton's fully integrated variable speed 'W' motor (VSM), offers the reliability, low noise, and energy saving characteristics you've come to expect from the 'W' range, but with the added technology.

The VSM's perfectly matched motor and inverter has been designed to improve the performance of machinery and mechanical handling systems as well as increase the efficiency and reduce the cost of fan and pump systems.

The VSM package fits within the same envelope as the equivalent 'W' motor, and has the same facility for mounting the terminal box (now the inverter) on the top or the side of the motor. This allows for considerable space-saving and flexibility, for example, in fitting the motor to existing designs and installations. The close electrical and mechanical coupling of the inverter and motor means there is no need for extra cabling, so you can avoid EMC problems and voltage spikes. It's efficient, robust and economical - in short - everything you'd expect from a motor with the 'W' symbol - and its fast user-friendly programming means that installation is simple and fast.

Whether you need fine speed control, rapid response and acceleration, energy efficiency or low noise operation, you'll find it all in the VSM 'W' package.



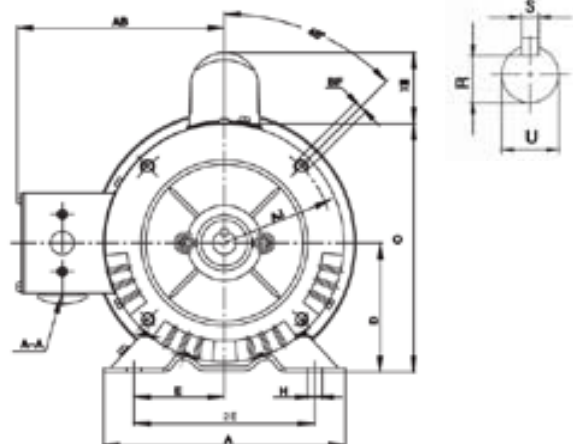
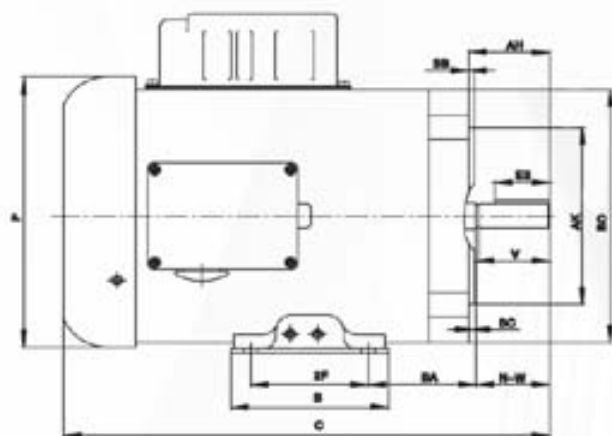
W Aluminum Bearings

Frame		Bearings	
Metric	NEMA	Drive End	Non-Drive End
63		6202ZZ	6202ZZ
71		6003ZZ	6003ZZ
80	56	6204ZZ	6003ZZ
90	143/5T	6205ZZ	6203ZZ
100L		6206ZZ	6205ZZ
112	182/4T	6206ZZ	6205ZZ
132	213/5T	6208ZZ	6305ZZ
160	254/6T	6309ZZ	6307ZZ
180	284/6T	6310ZZ	6308ZZ

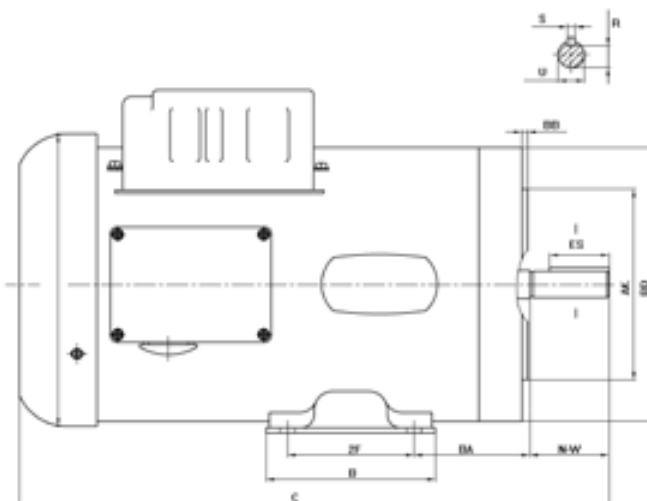
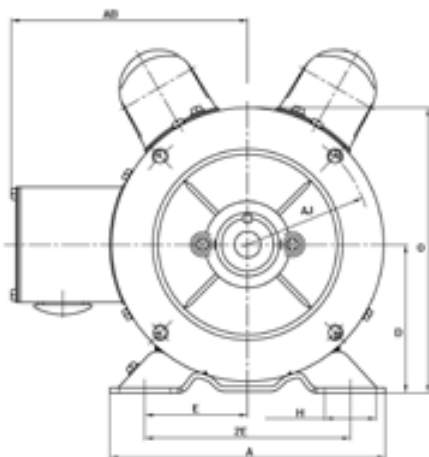
W Cast Iron Bearings

Frame		Bearings	
Metric	NEMA	Drive End	Non-Drive End
80	56	6204ZZ	6003ZZ
90	143/5T	6205ZZ	6203ZZ
100		6206ZZ	6205ZZ
112	184T	6206ZZ	6205ZZ
132	213T	6208ZZ	6305ZZ
160	254/6T	6309ZZ	6307ZZ
180	284/6T	6310ZZ	6308ZZ
200	324/6T	6313	6313
225S	364T	6314	6314
225M 2P	365T 2P	6314	6314
225M 4/6P	365T 4/6P	6316	6316
250S 2P	404T 2P	6314	6314
250S 4/6P	404T 4/6P	6318	6318
250M 2P	405T 2P	6314	6314
250M 4/6P	405T 4/6P	6318	6318
280S 2P	444T 2P	6316	6316
280S 4/6P	444T 4/6P	6319	6319
280M 2P	445T 2P	6316	6316
280M 4/6P	445T 4/6P	6319	6319
315S 2P	504 2P	6316	6316
315S 4/6P	504 4/6P	6319	6319
315 M 2P	505 2P	6316	6316
315M 4/6P	505 4/6P	6319	6319
315L 2P	-	6316	6316
315L 4/6P	-	6319	6319
355 2P	586/7 2P	N316	6316
355 4/6P	586/7 4/6P	N324	6324

NEMA Single Phase C Face 56 Frame Dimensions



Note: 0.33 - 1 HP

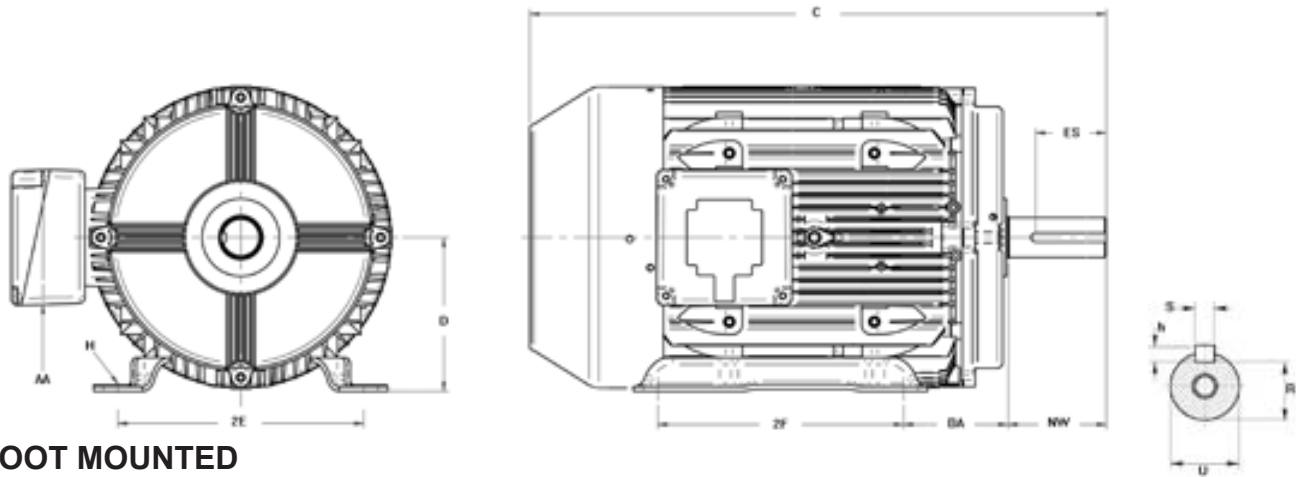


Note: 1.5 - 2 HP

Frame	AB	BA	MAX A	MAX B	D	E	2F	N-W	O	P	R	S	U
56C	5.6	2.75	6.5	4.2	3.5	2.44	3	1.88	6.7	7.08	0.517	0.188	0.625

MIN ES	MIN AA	BF	MAX BB	MAX BD	BC	AH	AJ	AK
1.41	1/2	3/8-16	0.16	6.5	0.19	2.06	5.875	4.5

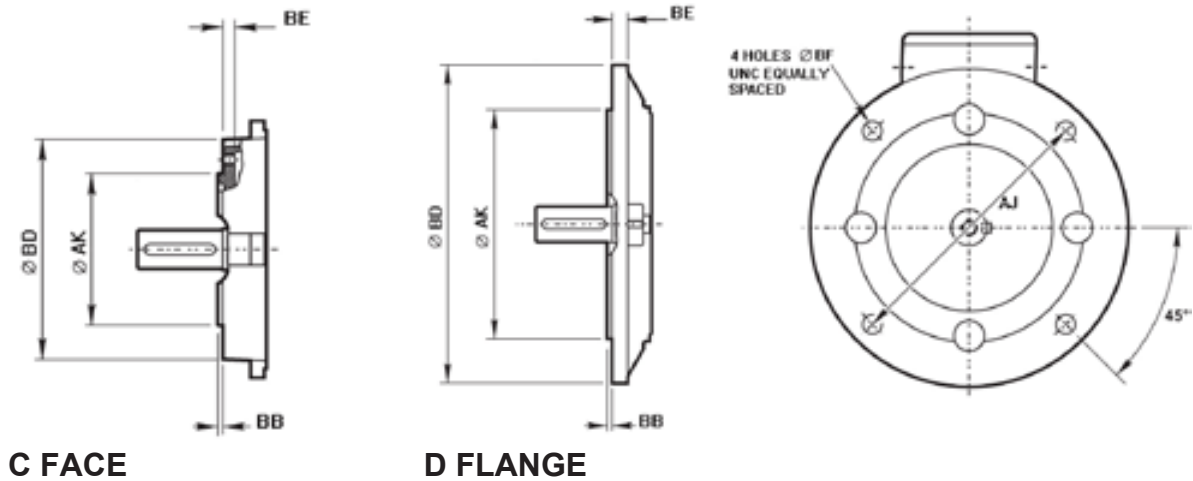
HP	C
0.33	11.9
0.5	11.9
0.75	13.07
1	13.07
1.5	14.45
2	14.45



FOOT MOUNTED

Frame Size	FOOT INSTALLATION DIM.				SHAFT INSTALLATION DIM.						OVERALL INSTALLATION DIM.		
	2E	2F	H	BA	N-W	U	S	AH	R	ES	C	D	AA
56	4.87	3.0	0.34	2.75	1.875	0.625	0.187	2.062	0.517	1.37	11.54	3.50	0.50
143T	5.5	4.0	0.34	2.25	2.25	0.875	0.187	2.125	0.771	1.37	14.18	3.50	0.75
145T		5.0	0.34	2.25	2.25	0.875	0.187	2.125	0.771	1.37	14.18	3.50	0.75
182T	7.5	4.5	0.50	2.75	2.75	1.125	0.25	2.625	0.986	1.88	15.43	4.50	0.75
184T		5.5	0.50	2.75	2.75	1.125	0.25	2.625	0.986	1.88	16.27	4.50	0.75
213T	8.5	5.5	0.50	3.50	3.375	1.375	0.312	3.125	1.201	2.38	19.30	5.25	1.0
215T		7.0	0.50	3.50	3.375	1.375	0.312	3.125	1.201	2.38	19.30	5.25	1.0
254T	10	8.25	0.59	4.25	4	1.625	0.375	3.75	1.416	2.87	23.44	6.25	1.25
256T		10	0.59	4.25	4	1.625	0.375	3.75	1.416	2.87	23.44	6.25	1.25
284T	11	9.5	0.59	4.75	4.625	1.875	0.5	4.375	1.591	3.25	26.34	7	1.50
284TS		9.5	0.59	4.75	3.25	1.625	0.375	3	1.416	1.87	24.97	7	1.50
286T	11	11	0.59	4.75	4.625	1.875	0.5	4.375	1.591	3.25	26.34	7	1.50
286TS		11	0.59	4.75	3.25	1.625	0.375	3	1.416	1.87	24.97	7	1.50
324T	12.5	10.50	0.63	5.25	5.25	2.13	0.50	5	1.845	4.75	32.75	8	2
324TS		10.50	0.63	5.25	3.75	1.88	0.50	3.50	1.591	3.25	31.25	8	2
326T	12.5	12	0.63	5.25	5.25	2.13	0.50	5	1.845	4.75	34.25	8	2
326TS		12	0.63	5.25	3.75	1.88	0.50	3.50	1.591	3.25	32.75	8	2
364T	14	11.25	0.63	5.88	5.88	2.38	0.63	5.38	2.021	5	36.38	9	3
364TS		11.25	0.63	5.88	3.75	1.88	0.50	3.50	1.591	3.25	34.25	9	3
365T	14	12.25	0.63	5.88	5.88	2.38	0.63	5.38	2.021	5	38.50	9	3
365TS		12.25	0.63	5.88	3.75	1.88	0.50	3.50	1.591	3.25	34.25	9	3
404T	16	12.25	0.75	6.63	7.25	2.88	0.75	7	2.450	6.50	42.25	10	3
404TS		12.25	0.75	6.63	4.25	2.13	0.50	4	1.845	3.25	39.25	10	3
405T	16	13.75	0.75	6.63	7.25	2.88	0.75	6.25	2.450	6.50	44	10	3
405TS		13.75	0.75	6.63	4.25	2.13	0.50	4	1.845	3.25	41	10	3
444T	18	14.50	0.75	7.50	8.50	3.38	0.88	8.25	2.880	7	47	11	3
444TS		14.50	0.75	7.50	4.75	2.38	0.63	4.50	2.021	4.13	43.25	11	3
445T	18	16.50	0.75	7.50	8.50	3.38	0.88	8.25	2.880	7	49.63	11	3
445TS		16.50	0.75	7.50	4.75	2.38	0.63	4.50	2.021	4.13	45.88	11	3
447T	18	20	0.75	7.50	8.50	3.38	0.88	8.25	2.880	7	49.63	11	3
447TS		20	0.75	7.50	4.75	2.38	0.63	4.50	2.021	4.13	45.88	11	3
504Z	20	16	1	8.50	9.25	3.63	0.88	9	3.134	8.50	51.63	12.5	3
504SZ		16	1	8.50	5.50	2.75	0.63	5.25	2.402	4.88	47.88	12.5	3
505Z	20	18	1	8.50	9.25	3.63	0.88	9	3.134	8.50	54.50	12.5	3
505SZ		18	1	8.50	5.50	2.75	0.63	5.25	2.402	4.88	50.50	12.5	3
585Z	24	20	1	10	10	3.88	1.00	10	3.309	9.75	60.25	14.5	3
585SZ		20	1	10	7.75	3	0.75	7.75	2.569	7.75	58	14.5	3
586Z	24	22	1	10	10	3.88	1.00	10	3.309	9.75	65	14.5	3
586SZ		22	1	10	7.75	3	0.75	7.75	2.569	7.75	62.75	14.5	3

W-Range NEMA TEFC Dimensions Frame Sizes 56 - 586



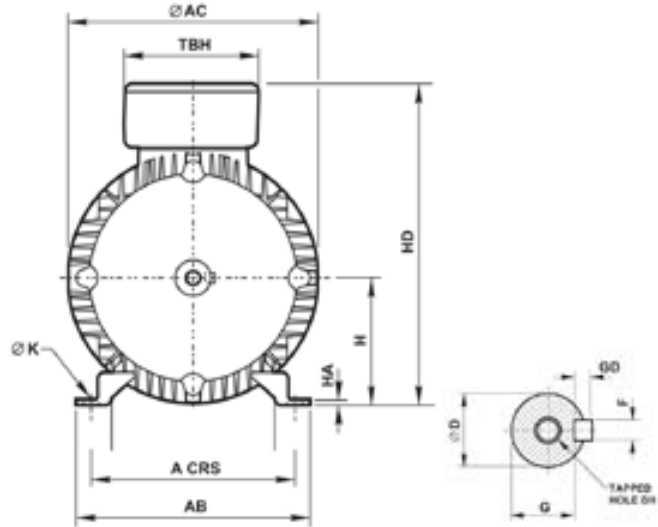
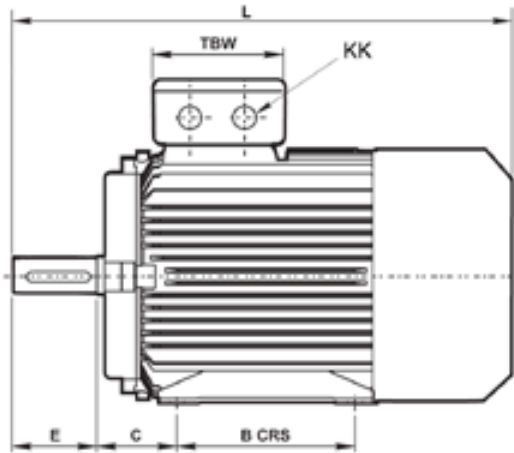
C FACE

D FLANGE

Frame Size	D FLANGE DIMENSIONS					C FACE DIMENSIONS				
	AJ	AK	BB	BD	BF	AJ	AK	BB	BD	BF
56	-	-	-	-	-	5.87	4.5	0.12	6.5	0.37
143T	10	9	0.25	11	0.53	5.87	4.5	0.12	6.5	0.37
145T										
182T	10	9	0.25	11	0.53	7.25	8.5	0.16	9	0.50
184T								0.25	6.5	
182TCH	-	-	-	-	-	5.88	4.5	0.16	6.5	0.38
184TCH								0.25		
213T	10	9	0.25	11	0.53	7.25	8.5	0.25	9	0.50
215T										
254T	12.50	11	0.25	14	0.81	7.25	8.5	0.25	9.84	0.50
256T										
284T	12.50	11	0.25	14	0.81	9	10.5	0.25	11.25	0.50
286T										
284TS	12.50	11	0.25	14	0.81	9	10.5	0.25	11.25	0.50
286TS										
324T	16	14	0.25	17.75	0.81	11	12.50	0.25	13	0.63
326T										
324TS	16	14	0.25	17.75	0.81	11	12.50	0.25	13	0.63
326TS										
364T	16	14	0.25	17.75	0.81	11	12.50	0.25	13.75	0.63
365T										
364TS	16	14	0.25	17.75	0.81	11	12.50	0.25	13.75	0.63
365TS										
404T	20	18	0.25	21.63	0.81	11	12.50	0.25	14.50	0.63
405T										
404TS	20	18	0.25	21.63	0.81	11	12.50	0.25	14.50	0.63
405TS										
444T	20	18	0.25	21.63	0.81	14	16	0.25	17.50	0.63
445T										
444TS	20	18	0.25	21.63	0.81	14	16	0.25	17.50	0.63
445TS										
447T	20	18	0.25	21.63	0.81	14	16	0.25	17.50	0.63
449T										
447TS	20	18	0.25	21.63	0.81	14	16	0.25	17.50	0.63
449TS										
504SZ	22	18	0.25	25	0.94	14.50	16.50	0.25	17.50	0.63
504Z										
505SZ	22	18	0.25	25	0.94	14.50	16.50	0.25	17.50	0.63
505Z										
585SZ	29.13	26.77	0.25	31.50	0.94	-	-	-	-	-
585Z										
586SZ	29.13	26.77	0.25	31.50	0.94	-	-	-	-	-
586Z										

NEMA Brake Motors	
Frame Size	'C' dimension Additional Length
56	2.875"
143/5T	4.0"
182/4T	3.5"
213/5T	3.75"

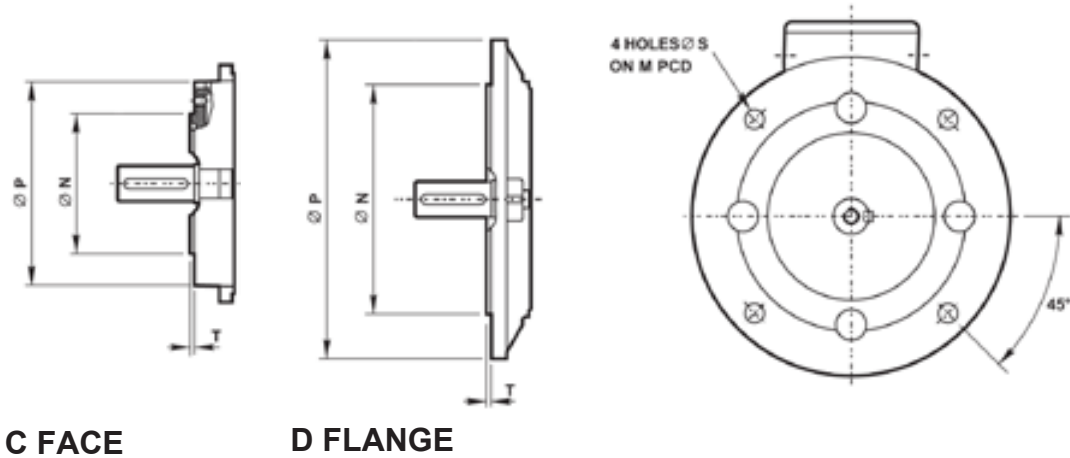
NOTE: All dimensions in inches



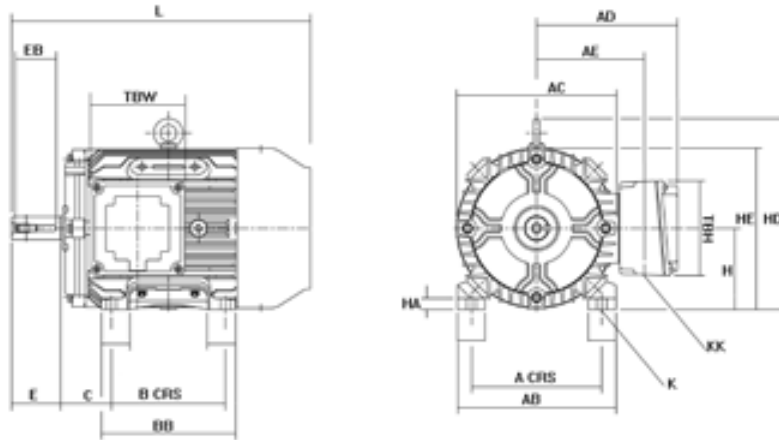
FOOT MOUNTED

Frame Size	FOOT MOUNTING				SHAFT					GENERAL							
	H	A	B	C	D	E	F	G	K	AB	HD	AC	L	TBW	TBH	KK	
63	63	100	80	40	11	23	4	8.5	7	119	163	126	207	86	86		
71	71	112	90	45	14	30	5	11	7	131	163	140	238	86	86		
80M	80	125	100	50	19	40	6	15.5	10	157	212	157	278	86	86		
90S	90	140	100	56	24	50	8	20	10	164	225	178	364	86	86	1 X CM20	
90L	90	140	125	56	24	50	8	20	10	164	225	178	364	86	86	1 X CM20	
100L	100	160	140	63	28	60	8	24	12	164	267	178	409	127	127	2 X CM20	
112M	112	190	140	70	28	60	8	24	12	218	279	215	442	127	127	2 X CM25	
132S	132	216	140	89	38	80	10	33	12	242	332	255	485	127	127	2 X CM25	
132M	132	216	178	89	38	80	10	33	12	242	332	255	485	127	127	2 X CM25	
160M	160	254	210	108	42	110	12	37	15	304	400	312	604	140	140	2 X CM32	
160L	160	254	254	108	42	110	12	37	15	304	400	312	604	140	140	2 X CM32	
180M	180	279	241	121	48	110	14	42.5	15	329	400	354	663	140	140	2 X CM32	
180L	180	279	279	121	48	110	14	42.5	15	329	400	354	663	140	140	2 X CM32	
200L	200	318	305	133	55	110	16	49	M16	386	525	410	787	220	161		
225S	2	225	356	286	149	55	110	16	49	M16	426	550	410	845	220	161	
	4,8					60	140	18	53					875			
225M	2	225	356	311	149	55	110	16	49	M16	426	570	448	885	220	161	
	4,6,8					60	140	18	53					915			
250M	2	250	406	349	168	60	140	18	53	M20	482	595	448	985	220	161	
	4,6,8					65	140	18	58					1021			
280S	2	280	457	368	190	65	140	18	58	M20	540	655	508	1030	220	161	
	4,6,8					75	140	20	67.5					1090			
280M	2	280	457	419	190	65	140	18	58	M20	540	655	508	1070	220	161	
	4,6,8					75	140	20	67.5					1090			
315S	2	315	508	406	216	65	170	18	58	M24	597	845	563	1115	330	326	
	4,6,8					80	170	20	71					1145			
315M	2	315	508	457	216	65	170	18	58	M24	597	845	563	1185	330	326	
	4,6,8					80	170	20	71					1215			
315L	2	315	508	508	216	65	170	18	58	M24	597	875	640	1285	330	326	
	4,6,8					80	170	20	71					1315			

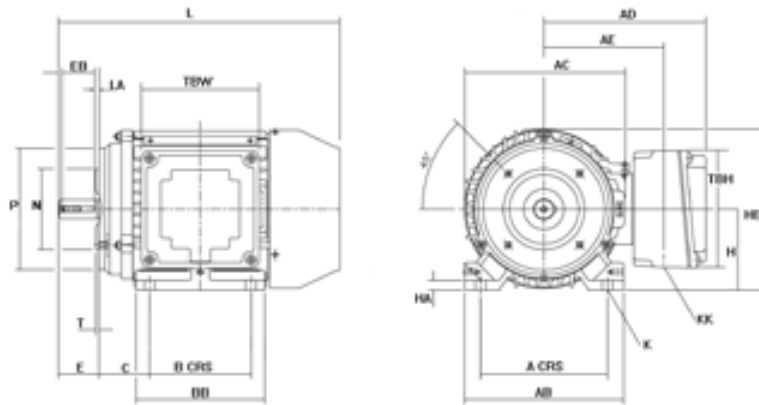
W-Range Metric Flange
TEFC Dimensions Frame Sizes 63 - 315



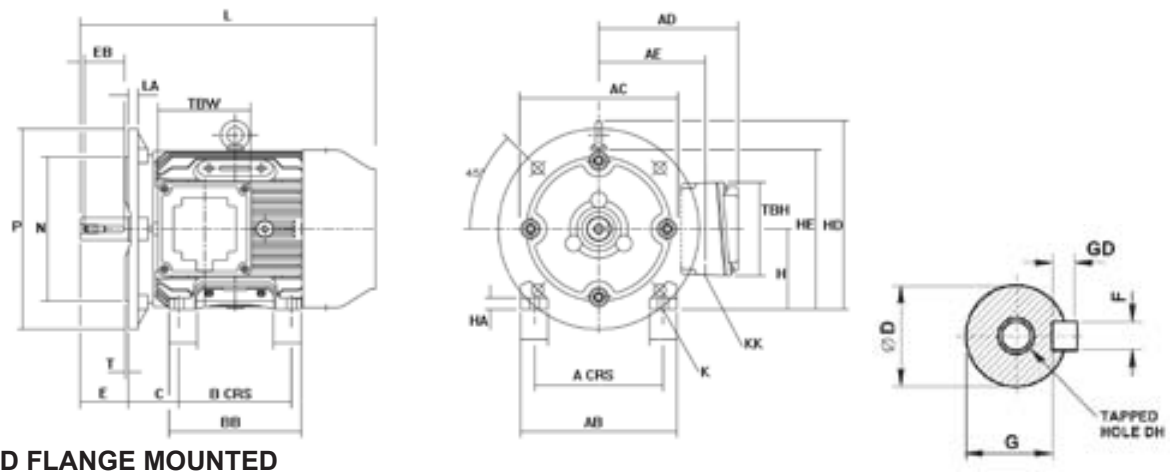
Frame Size	D FLANGE (B5)					C FACE (B14)				
	N	M	P	S	T	N	M	P	S	T
63	95	115	140	10	3	60	75	90	M5	2.5
71	110	130	160	10	3.5	70	85	105	M6	2.5
80M	130	165	200	12	3.5	80	100	120	M6	3.0
90S	130	165	200	12	3.5	95	115	140	M8	3.0
90L	130	165	200	12	3.5	95	115	140	M8	3.0
100L	180	215	250	14.5	4	110	130	160	M8	3.5
112M	180	215	250	14.5	4	110	130	160	M8	3.5
132S	230	265	300	14.5	4	130	165	200	M10	3.5
132M	230	265	300	14.5	4	130	165	200	M10	3.5
160M	250	300	350	18.5	5	180	215	250	M14	4.0
160L	250	300	350	18.5	5	180	215	250	M14	4.0
180M	250	300	350	18.5	5	-	-	-	-	-
180L	250	300	350	18.5	5	-	-	-	-	-
200L	300	350	400	19	5	-	-	-	-	-
225S	350	400	450	19	5	-	-	-	-	-
225M	350	400	450	19	5	-	-	-	-	-
250M	450	500	550	19	5	-	-	-	-	-
280S	450	500	550	19	5	-	-	-	-	-
280M	450	500	550	19	5	-	-	-	-	-
315S	450	500	550	19	5	-	-	-	-	-
315M	550	600	650	24	6	-	-	-	-	-
315L	550	600	650	24	6	-	-	-	-	-



FOOT MOUNTED



C FACE MOUNTED

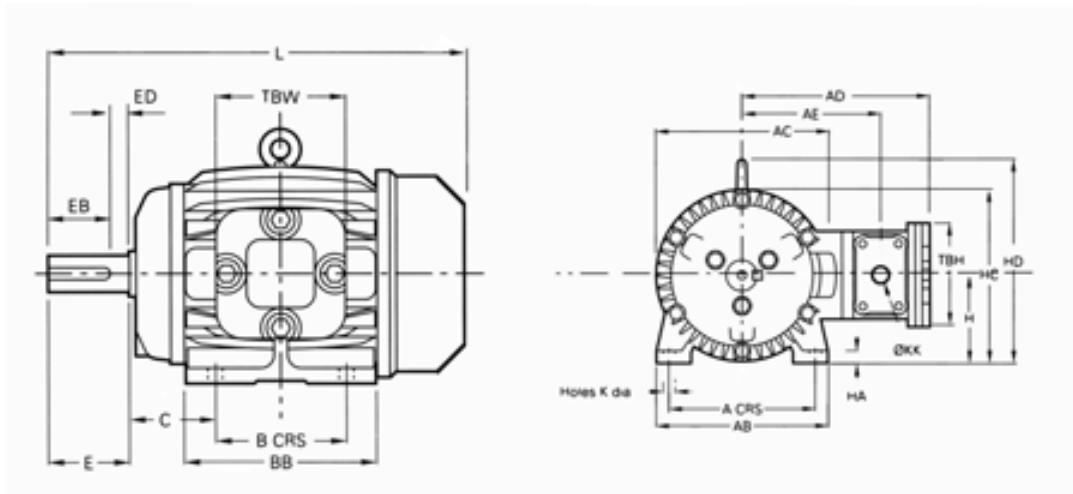


D FLANGE MOUNTED

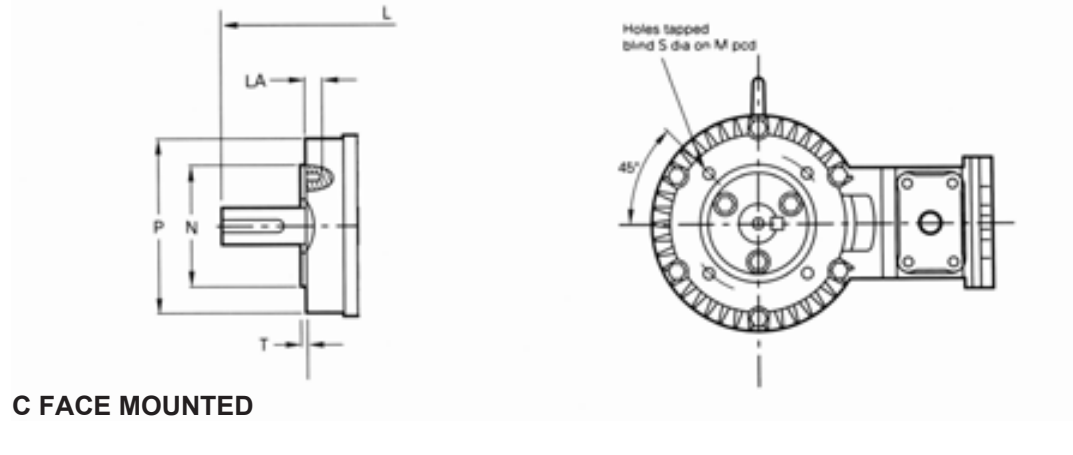
GENERAL																
FRAME	A	B	C	H	K	1800 RPM >	3600 RPM	AA	AB	BB	HA	AC	HD	TBW	TBH	KK
						L	L									
80M	125	100	50	80	10	278		35	157	127	10	156	236	120	120	20
80S	125	100	50	80	10	278		35	157	127	10	156	236	120	120	20
90S	140	100	56	90	10	364		35	164	150	12	178	225	120	120	20
90L	140	125	56	90	10	364		35	164	150	12	178	225	120	120	20
100L	160	140	63	100	12	409		34	184	170	14	199	254	120	120	20
112M	190	140	70	112	12	442		40	218	170	16	215	279	135	135	25
132S	216	140	89	132	12	484		47	242	208	16	255	320	135	135	25
132M	216	178	89	132	12	484		47	242	208	16	255	320	135	135	25
160M	254	210	108	160	15	604		55	304	304	22	314	400	174	174	32
160L	254	254	108	160	15	604		55	304	304	22	314	400	174	174	32
180M	279	241	121	180	15	663		64	329	329	22	358	440	174	174	32
180L	279	279	121	180	15	663		64	329	329	22	358	440	174	174	32
200L	318	305	133	200	19	787		74	382	369	30	358	460	176	176	
225S	356	286	149	225	M16	970	845	70	426	349	25	410	550	220	285	
225M	356	311	149	225	M16	915	885	70	426	374	25	448	570	220	285	
250S	406	311	168	250	M20	985	985	79	482	381	28	448	595	220	285	
250M	406	349	168	250	M20	1021	1030	79	482	419	35	508	625	220	285	
280S	457	368	190	280	M20	1090	1070	83	540	438	35	508	655	220	285	
280M	457	419	190	280	M20	1145	1115	83	540	487	38	563	810	220	285	
315S	508	406	216	315	M24	1215	1185	89	597	483	38	563	845	330	326	
315M	508	457	216	315	M24	1245	1215	89	597	533	38	640	875	330	326	
315L	508	508	216	315	M24	1315	1285	89	597	583	38	640	875	330	326	

D FLANGE (B5)							C FACE (B14)							SHAFT DRIVE END									
FRAME	M	N	P	S	T	LA	FRAME	M	N	P	S	T	LA	FRAME	D	E	F	G	GD	EB	ED	DH	
63	115	95	140	10	3	7	63	75	60	90	M5	2.5	7	63	11	23	4	8.5	4	10	0	M4X10	
71	130	110	160	10	3.5	7	71	85	70	105	M6	2.5	9	71	14	30	5	11	5	20	5	M5X12.5	
80	165	130	200	12	3.5	12	80	100	80	120	M6	3.0	9	80	19	40	6	15.5	6	32	4	M6X16	
90S/L	165	130	200	12	3.5	10	90S/L	115	95	140	M8	3.0	9	90S/L	24	50	8	20	7	40	5	M8X19	
100L	215	180	250	14.5	4	12	100L	130	110	160	M8	3.5	12.5	100L	28	60	8	23.9	7	50	5	M10X22	
112M	215	180	250	14.5	4	12	112M	130	110	164	M8	3.5	13	112M	28	60	8	23.9	7	50	5	M10X22	
132S/M	265	230	300	14.5	4	12	132S/M	165	130	200	M10	3.5	14	132S/M	38	80	10	33	8	70	5	M12X28	
160M/L	300	250	350	18.5	5	13	160M/L	215	180	250	M14	4.0	13	160M/L	42	110	12	37	8	100	5	M16X36	
180M/L	300	250	350	18.5	5	15	180M/L	-	-	-	-	-	-	180M/L	48	110	14	42.5	9	100	5	M16X36	
200L	350	300	400	19	5	19	200L	-	-	-	-	-	-	200L	55	110	16	49	10	100	5	M20X42	
225S/M	400	350	450	19	5	19	225S/M	-	-	-	-	-	-	-	-	-	-	-	-	-	-	-	-
250S/M	500	450	550	19	5	25	250S/M	-	-	-	-	-	-	-	-	-	-	-	-	-	-	-	-
280S/M	500	450	550	19	5	25	280S/M	-	-	-	-	-	-	-	-	-	-	-	-	-	-	-	-
315S/M/L	600	550	660	24	6	29	315S/M/L	-	-	-	-	-	-	-	-	-	-	-	-	-	-	-	-

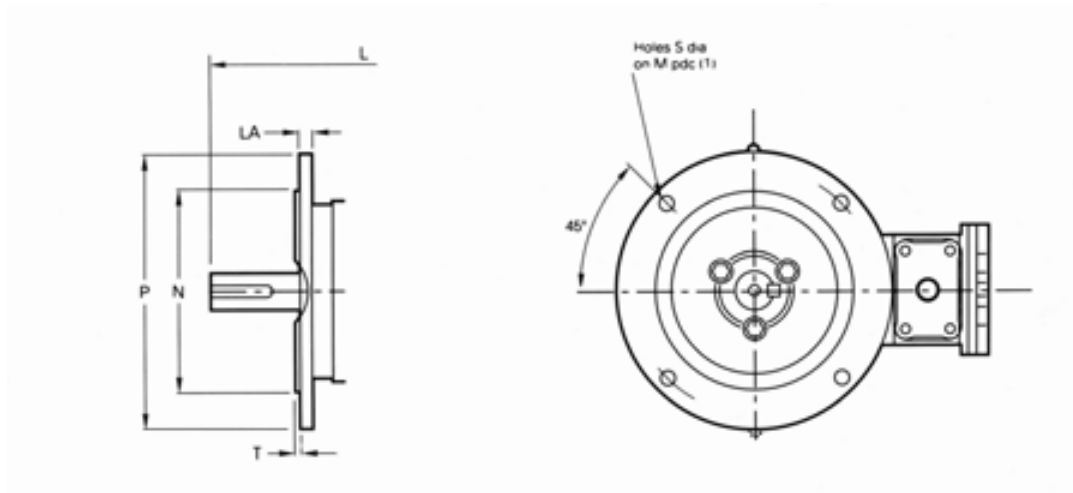
SHAFT DRIVE END																	
1800 RPM >									3600 RPM								
FRAME	D	E	F	G	GD	EB	ED	DH	FRAME	D	E	F	G	GD	EB	ED	DH
225S	60	140	18	53	11	125	5	M20X42	225S	55	110	16	49	10	100	5	M20X42
225M	60	140	18	53	11	125	5	M20X42	225M	55	110	16	49	10	100	5	M20X43
250S	70	140	20	62.5	12	125	5	M20X42	250S	60	140	18	53	11	125	5	M20X44
250M	70	140	20	62.5	12	125	5	M20X42	250M	60	140	18	53	11	125	5	M20X45
280S	80	170	22	71	14	160	5	M20X42	280S	65	140	18	58	11	125	5	M20X46
280M	80	170	22	71	14	160	5	M20X42	280M	65	140	18	58	11	125	5	M20X47
315S	85	170	22	76	14	160	5	M20X42	315S	65	140	18	58	11	125	5	M20X48
315M	85	170	22	76	14	160	5	M20X42	315M	65	140	18	58	11	125	5	M20X49
315L	85	170	22	76	14	160	5	M20X42	315L	65	140	18	58	11	125	5	M20X50



FOOT MOUNTED



C FACE MOUNTED



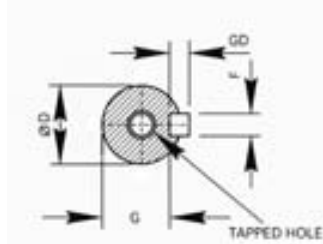
D FLANGE MOUNTED

EExd IEC Explosion Proof Dimensions Frame Sizes 90 - 315



FRAME	A	B	C	H	K	4 POLE+	2 POLE	AC	AB	BB	AD	HA	HD	TBW	TBH	KK
						L	L									
W-EF90S	140	100	56	90	10	308		187	175	127	230	12	236	140	140	1XM20
W-EF90L	140	125	56	90	10	333		187	175	152	230	12	236	140	140	1XM20
W-EF100L	160	140	63	100	12	394		208	194	187	241	14	252	140	140	1XM20
W-EF112M	190	140	70	12	12	391		250	229	179	260	16	286	140	140	1XM25
W-EF132S	216	140	89	132	12	467		270	260	178	289	19	319	171.5	171.5	1XM25
W-EF132M	216	178	89	132	12	505		270	260	216	289	19	319	171.5	171.5	1XM25
W-EF160M	254	210	108	160	15	605		333	318	267	316	19	375	171.5	171.5	1XM32
W-EF160L	254	254	108	160	15	650		333	318	311	316	19	375	171.5	171.5	1XM32
W-EF180M	279	241	121	180	15	672		378	356	298	343	19	440	197	197	1XM32
W-EF180L	279	279	121	180	15	710		378	356	337	343	19	440	197	197	1XM32
W-EF200L	318	305	133	200	19	810		410	386	355		27	636	260	190	1XM40*
W-EF225S	356	286	149	225	M16	873	843	410	426	349		25	661	260	190	1XM40*
W-EF225M	356	311	149	225	M16	915	885	448	426	374		25	680	260	190	1XM40*
W-EF250S	406	311	168	250	M20	985	985	448	482	384		28	705	260	190	1XM40*
W-EF250M	406	349	168	250	M20	1030	1030	508	482	419		28	770	335	220	1XM50*
W-EF280S	457	368	190	280	M20	1100	1070	508	540	436		35	800	335	220	1XM50*
W-EF280M	457	419	190	280	M20	1145	1115	563	540	487		35	830	335	220	1XM50*
W-EF315S	508	406	216	315	M24	1215	1185	563	597	483		38	865	335	220	1XM63*
W-EF315M	508	457	216	315	M24	1245	1215	640	597	533		38	960	384	255	1XM63*
W-EF315L	508	508	216	315	M24	1315	1285	640	597	583		38	960	384	255	1XM63*

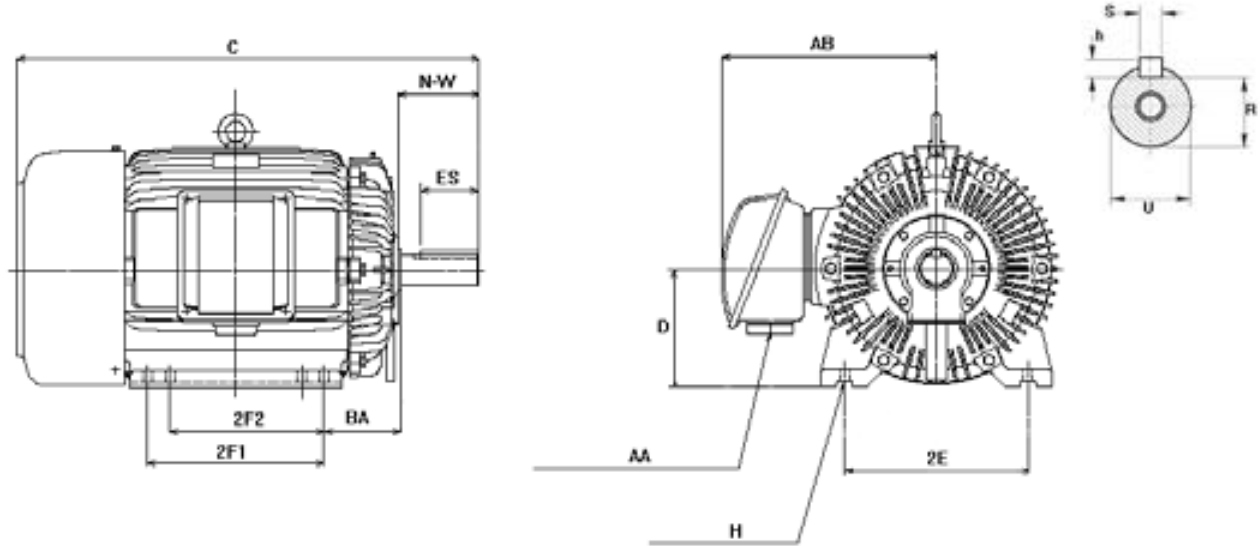
FRAME	SHAFT DRIVE END							
	D	E	F	G	GD	EB	ED	DH
W-EF90S	24	50	8	20	7	32	5	M8X19
W-EF90L	24	50	8	20	7	32	5	M8X19
W-EF100L	28	60	8	23.9	7	40	5	M10X22
W-EF112M	28	60	8	23.9	7	40	5	M10X22
W-EF132S	38	80	10	33	8	56	5	M12X28
W-EF132M	38	80	10	33	8	56	5	M12X28
W-EF160M	42	110	12	37	8	80	5	M16X36
W-EF160L	42	110	12	37	8	80	5	M16X36
W-EF180M	48	110	14	42.5	9	80	5	M16X36
W-EF180L	48	110	14	42.5	9	80	5	M16X36



4 POLE +									2 POLE								
FRAME	D	E	F	G	GD	EB	ED	DH	FRAME	D	E	F	G	GD	EB	ED	DH
W-EF200L	55	110	16	49	10	100	5	M20X42	W-EF200L	55	110	16	49	10	100	5	M20X42
W-EF225S	60	140	18	53	11	125	5	M20X42	W-EF225S	-	-	-	-	-	-	-	-
W-EF225M	60	140	18	53	11	125	5	M20X42	W-EF225M	55	110	16	49	10	100	5	M20X42
W-EF250S	70	140	20	62.5	12	125	5	M20X42	W-EF250S	60	140	18	53	11	125	5	M20X42
W-EF250M	70	140	20	62.5	12	125	5	M20X42	W-EF250M	65	140	18	53	11	125	5	M20X42
W-EF280S	80	170	22	71	14	160	5	M20X42	W-EF280S	65	140	18	58	11	125	5	M20X42
W-EF280M	80	170	22	71	14	160	5	M20X42	W-EF280M	65	140	18	58	11	125	5	M20X42
W-EF315S	85	170	22	76	14	160	5	M20X42	W-EF315S	65	140	18	58	11	125	5	M20X42
W-EF315M	85	170	22	71	14	160	5	M20X42	W-EF315M	65	140	18	58	11	125	5	M20X42
W-EF315L	85	170	22	71	14	160	5	M20X42	W-EF315L	65	140	18	58	11	125	5	M20X42

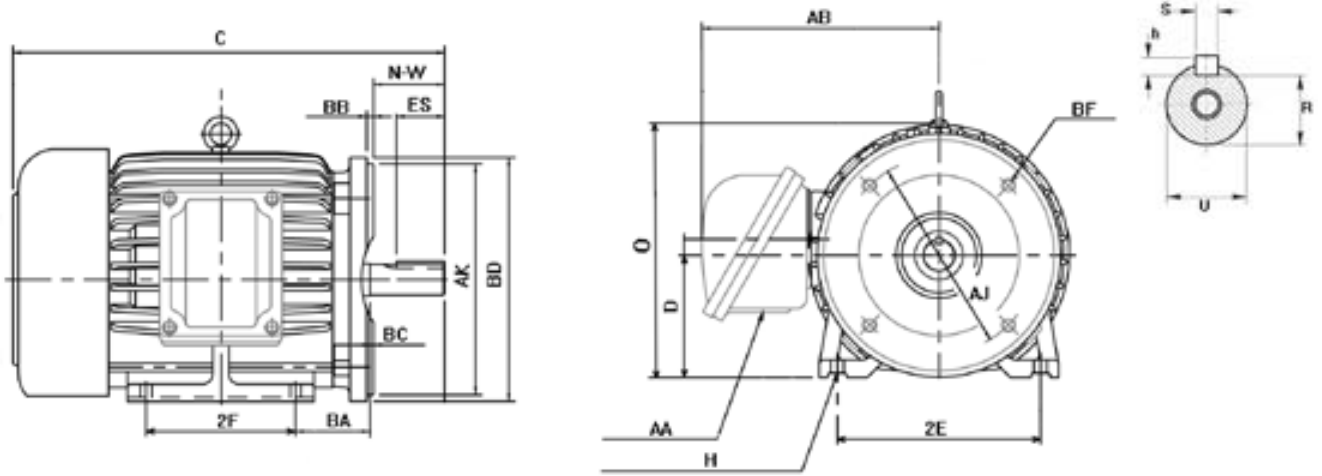
FRAME	D FLANGE (B5)							FRAME	C FACE (B14)					
	M	N	P	S	T	LA	M		N	P	S	T	LA	
W-EF90S/L	165	130	200	12	35	12	W-EF90S/L	115	95	140	M8	3	10	
W-EF100L	215	180	250	15	4	11	W-EF100L	130	110	160	M8	3.5	14	
W-EF112M	215	180	250	15	4	11	W-EF112M	130	110	160	M8	3.5	15.5	
W-EF132S/M	265	230	300	15	4	12	W-EF132S/M	165	130	200	M10	3.5	17.5	
W-EF160M/L	300	250	350	19	5	13	W-EF160M/L	215	180	250	M12	4	19	
W-EF180M/L	300	250	350	19	5	15								
W-EF200L	350	300	400	19+	5	19								
W-EF225S/M	400	350	450	19+	5	19								
W-EF250S/M	500	450	550	19+	5	25								
W-EF280S/M	500	450	550	19+	5	25								
W-EF315S/M/L	600	550	660	24+	6	29								

NOTES: All dimensions in millimetres
 C Face not available above 160L frame
 + Frame sizes 225S - 315L
 Supplied with 8 holes - S dia.
 Frame sizes 200L - 315L
 Supplied with an additional 1XM20 outlet.



Frame Size	FOOT INSTALLATION DIM.					SHAFT INSTALLATION DIM.						OVERALL INSTALLATION DIM.				
	2E	2F1	2F2	H	BA	N-W	U	S	h	ES	R	C	D	AA	AB	AC
143T	5.5	4	—	0.34	2.25	2.25	0.875	0.188	0.188	1.41	0.771	12.47	3.5	0.75	6.18	4.92
145T		5	4									13.46				
182T	7.5	4.5	—	0.41	2.75	2.75	1.125	0.25	0.25	1.78	0.986	14.77	4.5	0.75	7.44	6.06
184T		5.5	4.5									15.79				
213T	8.5	5.5	—	0.41	3.5	3.38	1.375	0.312	0.312	2.41	1.201	18.09	5.25	1	8.86	7.07
215T		7	5.5									19.59				
254T	10	8.25	—	0.53	4.25	4	1.625	0.375	0.375	2.91	1.416	23.7	6.25	1.25	10.24	8.58
256T		10	8.25									25.44				
284T	11	9.5	—	0.53	4.75	4.62	1.875	0.5	0.5	3.28	1.591	26.8	7	1.25	12.13	9.84
286T		11	9.5									28.3				
284TS	11	9.5	—	0.53	4.75	3.25	1.625	0.375	0.375	1.93	1.416	25.43	7	1.25	12.13	9.84
286TS		11	9.5									26.93				
324T	12.5	10.5	—	0.66	5.25	5.25	2.125	0.5	0.5	3.91	1.845	29.93	8	2	13.47	10.98
326T		12	10.5									31.42				
324TS	12.5	10.5	—	0.66	5.25	3.75	1.875	0.5	0.5	2.03	1.591	28.43	8	2	13.47	10.98
326TS		12	10.5									29.92				
364T	14	11.25	—	0.66	5.88	5.88	2.375	0.625	0.625	4.28	2.021	32.57	9	3	15.1	12.28
365T		12.25	11.25									33.55				
364TS	14	11.25	—	0.66	5.88	3.75	1.875	0.5	0.5	2.03	1.591	30.44	9	3	15.1	12.28
365TS		12.25	11.25									31.42				
404T	16	12.25	—	0.81	6.62	7.25	2.875	0.75	0.75	5.65	2.45	36.5	10	3	19.07	14.33
405T		13.75	12.25									37.99				
405TS	16	13.75	12.25	0.81	6.62	4.25	2.125	0.5	0.5	2.78	1.845	34.99	10	3	19.07	14.33
444T	18	14.5	—	0.81	7.5	8.5	3.375	0.875	0.875	6.89	2.88	44.4	11	3	24	17.9
445T		16.5	14.5									46.4				
444TS	18	14.5	—	0.81	7.5	4.75	2.375	0.625	0.625	3.03	2.021	40.65	11	3	24	17.9
445TS		16.5	14.5									42.65				

**PX Range NEMA C Face
Dimensions Frame Sizes 143 - 445**



Frame Size	INSTALLATION DIM.				SHAFT INSTALLATION DIM.						C-FACE DIM.						OVERALL INSTALLATION DIM.				
	2E	2F	H	BA	N-W	U	S	h	R	ES	AJ	AK	BB	BC	BD	BF	C	D	O	AA	AB
143T	5.5	4.0	0.34	2.25	2.25	0.875	0.188	0.188	0.771	1.41	5.875	4.5	0.16	0.12	6.5	4*3/8-16	13.0	3.5	7.02	3/4	5.90
145T		5.0															14.0				
182T	7.5	4.5	0.41	2.75	2.75	1.125	0.25	0.25	0.986	1.78	7.25	8.5	0.25	0.12	9.0	4*1/2-13	16.54	4.5	8.9	3/4	7.03
184T		5.5															16.54				
213T	8.5	5.5	0.41	3.50	3.38	1.375	0.312	0.312	1.201	2.41	7.25	8.5	0.25	0.25	9.0	4*1/2-13	18.78	5.25	10.45	1	7.8
215T		7.0															20.28				
254T	10	8.25	0.53	4.25	4.0	1.625	0.375	0.375	1.416	2.91	7.25	8.5	0.25	0.25	10.0	4*1/2-13	24.00	6.25	12.44	1-1/4	9.96
256T		10															25.75				
284T	11	9.5	0.53	4.75	4.62	1.875	0.500	0.500	1.591	3.28	9.0	10.5	0.25	0.25	11.25	4*1/2-13	27.44	7.0	13.94	1-1/2	10.63
286T		11															28.94				
284TS	11	9.5	0.53	4.75	3.25	1.625	0.375	0.375	1.416	1.91	9.0	10.5	0.25	0.25	11.25	4*1/2-13	26.07	7.0	13.94	1-1/2	10.63
286TS		11															27.57				
324T	12.5	10.5	0.66	5.25	5.25	2.125	0.500	0.500	1.845	3.91	11.0	12.5	0.25	0.25	14.0	4*5/8-11	31.30	8.0	15.94	2	12.88
326T		12															31.30				
324TS	12.5	10.5	0.66	5.25	3.75	1.875	0.500	0.500	1.591	2.03	11.0	12.5	0.25	0.25	14.0	4*5/8-11	29.8	8.0	15.94	2	12.88
326TS		12															29.8				
364T	14	11.25	0.66	5.88	5.88	2.375	0.625	0.625	2.021	4.28	11.0	12.5	0.25	0.25	14.0	8*5/8-11	33.47	9.0	17.95	3	14.0
365T		12.25															34.45				
364TS	14	11.25	0.66	5.88	3.75	1.875	0.500	0.500	1.591	2.03	11.0	12.5	0.25	0.25	14.0	8*5/8-11	31.34	9.0	17.95	3	14.0
365TS		12.25															32.32				
404T	16	12.25	0.81	6.62	7.25	2.875	0.750	0.750	2.450	5.65	11.0	12.5	0.25	0.25	15.5	8*5/8-11	38.19	10.0	19.85	3	15.13
405T		13.75															38.19				
404TS	16	12.25	0.81	6.62	4.25	2.125	0.500	0.500	1.845	2.78	11.0	12.5	0.25	0.25	15.5	8*5/8-11	35.19	10.0	19.85	3	15.13
405TS		13.75															35.19				
444T	18	14.5	0.81	7.50	8.5	3.375	0.875	0.875	2.880	6.91	14.0	16.0	0.25	0.25	18.0	8*5/8-11	43.9	11.0	22.05	3	17.97
445T		16.5															43.9				
444TS	18	14.5	0.81	7.50	4.75	2.375	0.625	0.625	2.021	3.03	14.0	16.0	0.25	0.25	18.0	8*5/8-11	40.15	11.0	22.05	3	17.97
445TS		16.5															40.15				

Note:

Above BA dimensions for 143TC - 256TC are based on stock modified kits.
 Some products could be supplied with NEMA BA dimensions: 143-145TC = 2.75 ; 182- 184TC = 3.5 ; 213-215TC = 4.25 ; 254-256TC = 4.75
 Contact our office for details.

Product Number	HP	KW	Full Load RPM	Frame	F.L. Amps		Efficiency			Power Factor			LRT %	L.R. Amps		BDT %	KVA Code
					460V	575V	FL	0.75	0.5	FL	0.75	0.5		460V	575V		
BF4N.25	0.25	0.18	1710	56	0.50	0.40	66	66	62	0.70	0.61	0.48	250	2.5	2	300	J
BF6N.25			1130	56	0.45	0.36	72.5	63	56	0.70	0.48	0.38	210	2.4	1.9	270	K
BF8N.25			820	56	0.87	0.70	59.5	55	46	0.45	0.39	0.33	230	2.6	2.1	270	K
BF2N.33	0.33	0.25	3400	56	0.49	0.39	74	73	60	0.87	0.80	0.70	240	3.3	2.7	290	H
BF4N.33			1710	56	0.66	0.53	68	68	62	0.70	0.61	0.48	200	3.1	2.5	285	K
BF6N.33			1130	56	0.62	0.49	72.5	62	52.5	0.70	0.46	0.34	220	3.3	2.6	270	K
BF8N.33			870	56	0.70	0.60	70	59.5	52.5	0.60	0.4	0.33	230	3.3	2.6	270	E
BF2N.50	0.5	0.37	3400	56	0.72	0.58	74	72	66	0.87	0.85	0.75	220	4.2	3.4	290	H
BF4N.50			1710	56	0.98	0.78	68	68	64	0.7	0.61	0.48	225	4.7	3.8	340	K
BF6N.50			1130	56	0.90	0.72	74	70	64	0.70	0.5	0.39	270	4.5	3.6	270	K
BF8N.50			870	56	1.10	0.85	72.5	64	59	0.60	0.53	0.42	180	3.3	2.7	220	F
BF2N.75	0.75	0.55	3400	56	1.15	0.92	75	74	70	0.80	0.78	0.68	200	6.6	5.3	250	H
BF4N.75			1710	56	1.28	1.02	72.5	75.5	72	0.70	0.63	0.49	240	6.8	5.5	270	K
BF6N.75			1130	56	1.36	1.09	72.5	74	70	0.70	0.49	0.38	300	7.6	6.1	300	K
BA6N.75			1140	143T	1.7	1.4	72	69	64	0.57	0.50	0.40	240	6.5	5.2	280	H
BF2N001	1	0.75	3400	56	1.51	1.21	75	77	72	0.83	0.78	0.68	240	8.8	7.1	210	H
BF4N001			1710	56	1.67	1.34	73	80	76	0.77	0.6	0.48	300	11.5	9.2	320	K
BA4N001			1720	143T	1.4	1.1	85.5	85	82	0.72	0.65	0.52	280	9.1	7.3	300	J
BA6N001			1150	145T	1.5	1.2	85.5	85	82	0.72	0.65	0.52	300	11.2	9	320	K
BF2N1.5	1.5	1.1	3400	56	2.11	1.69	77	82.5	81.5	0.85	0.82	0.75	260	14.5	11.6	300	H
BF4N1.5			1710	56	2.40	1.91	75	84	82.5	0.77	0.65	0.52	250	17	13.6	280	K
BA2N1.5			3400	143T	1.9	1.5	84	84.1	83.5	0.86	0.82	0.75	370	15	12	400	J
BA4N1.5			1710	145T	2.1	1.6	86.5	86	84.5	0.76	0.67	0.56	420	16.5	13.2	400	K
BA6N1.5			1130	182T	2.2	1.8	87.5	87	84.7	0.73	0.63	0.50	310	15.4	12.6	250	K
BA2N002	2	1.5	3400	145T	2.6	2	85.5	85.8	85.5	0.86	0.82	0.74	300	19.5	15.6	330	J
BA4N002			1710	145T	2.9	2.3	86.5	86	84.5	0.74	0.65	0.52	280	19	15.2	300	J
BA6N002			1130	184T	3	2.4	88.5	86	86	0.71	0.65	0.51	280	19.8	15.8	240	J
BA2N003	3	2.2	3480	182T	3.5	2.8	86.5	85.8	82.5	0.91	0.85	0.78	410	41.6	33.3	560	J
BA4N003			1750	182T	3.9	3.1	89.5	89	86.5	0.79	0.71	0.57	250	29.2	23.4	300	N
BA6N003			1140	213T	4.2	3.4	89.5	89.5	88.3	0.74	0.73	0.60	310	27	22	230	J
BA2N005	5	3	3460	184T	5.8	4.6	88.5	88.3	87.5	0.92	0.88	0.82	380	61.5	49.2	460	L
BA4N005			1740	184T	6.3	5	89.5	89.5	89	0.83	0.76	0.64	210	44	35.2	260	H
BA6N005			1150	215T	7.1	5.7	89.5	90.1	89.3	0.74	0.75	0.64	230	45	36	220	J
BA2N7.5	7.5	5.5	3480	213T	8.4	6.7	89.5	89.8	89.7	0.92	0.89	0.82	330	81	64.8	480	K
BA4N7.5			1740	213T	9.8	7.8	91.7	91.7	90	0.77	0.70	0.59	380	82	65.6	290	K
BA6N7.5			1200	254T	10.6	8.5	91	90.1	88.9	0.73	0.69	0.56	240	66	53	210	H
BA2N010	10	7.5	3480	215T	11.6	9.2	90.2	91	90.2	0.90	0.89	0.79	240	90	72	500	J
BA4N010			1750	215T	13.2	10.5	91.7	91.8	90.7	0.78	0.75	0.65	270	92	73.6	380	J
BA6N010			1170	256T	13.7	11	91	91.2	90.2	0.75	0.74	0.63	270	93	75	200	J
BA2N015	15	11	3520	254T	17	13.6	91	91.3	91	0.89	0.87	0.83	200	109	87.2	340	G
BA4N015			1760	254T	17.8	14.2	92.4	92.2	91	0.84	0.80	0.71	210	121	96.8	240	H
BA6N015			1170	284T	19.3	15.4	91.7	91.3	89.7	0.80	0.71	0.59	350	135	108	250	J
BA2N020	20	15	3515	256T	22.2	17.7	91	91.5	91	0.93	0.91	0.89	160	133	106.4	340	F
BA4N020			1755	256T	23.3	18.6	93	93.5	93	0.87	0.84	0.77	210	152	121.6	250	H
BA6N020			1170	286T	25.7	20.6	91.7	91.7	90.6	0.80	0.78	0.66	340	188	151	230	J
BA2N025	25	18.5	3535	284TS	27.2	21.7	91.7	92.5	91.9	0.93	0.92	0.88	150	170	136	200	F
BA4N025			1765	284T	27.9	22.3	93.6	94	93.7	0.89	0.87	0.80	180	173	138.4	260	F
BA2N030	30	22	3525	286TS	32.4	25.9	91.7	92	91.7	0.93	0.88	0.85	150	185	148	200	E
BA4N030			1760	286T	33.9	27.1	93.6	94	93.8	0.87	0.85	0.78	190	207	165.6	270	F

W-Range Performance

60 HZ - NEMA Premium Cast Iron - TEFC



Product Number	HP	KW	Full Load RPM	Frame	F.L. Amps		Efficiency			Power Factor			LRT %	L.R. AMPS		BDT %	KVA Code
					460V	575V	FL	0.75	0.5	FL	0.75	0.5		460V	575V		
BC4N001	1	0.75	1740	143T	1.5	1.2	85.5	85	82	0.72	0.65	0.52	300	11.2	9	320	K
BC6N001			1150	145T	1.7	1.4	82.5	85.4	83.5	0.66	0.71	0.59	340	10.5	8.7	270	K
BC2N1.5			1.5	1.1	3495	143T	1.9	1.5	84	84.1	83.5	0.86	0.82	0.75	370	15	12
BC4N1.5	1745	145T			2.1	1.6	86.5	86	84.5	0.76	0.67	0.56	420	16.5	13.2	400	K
BC6N1.5	1150	182T			2.2	1.8	87.5	86.6	85	0.73	0.72	0.60	310	15.4	12.6	250	K
BC2N002	2	1.5	3490	145T	2.6	2	85.5	85.8	85.5	0.86	0.82	0.74	300	19.5	15.6	330	J
BC4N002			1740	145T	2.9	2.3	86.5	86	84.5	0.74	0.65	0.52	280	19	15.2	300	J
BC6N002			1150	184T	3	2.4	88.5	87.1	86	0.71	0.76	0.65	280	19.8	15.8	240	J
BC2N003	3	2.2	3520	182T	3.5	2.8	86.5	85.8	82.5	0.91	0.85	0.78	410	41.6	33.3	560	J
BC4N003			1760	182T	3.9	3.1	89.5	89	86.5	0.79	0.71	0.57	250	29.2	23.4	300	N
BC6N003			1170	213T	4.2	3.4	89.5	89.5	88.2	0.74	0.74	0.61	310	26.9	21.8	230	J
BC2N005	5	4	3510	184T	5.9	4.7	88.5	88.3	87.5	0.92	0.88	0.82	380	61.5	49.2	250	H
BC4N005			1745	184T	6.2	5	89.5	89.5	89	0.83	0.76	0.64	210	44	35.2	250	H
BC6N005			1165	215T	7.1	5.7	89.5	90.1	89.3	0.74	0.75	0.64	230	44.7	35.9	220	J
BC2N7.5	7.5	5.5	3520	213T	8.4	6.7	89.5	89.8	89.7	0.92	0.89	0.82	330	81	64.8	480	K
BC4N7.5			1760	213T	9.8	7.8	91.7	91.7	90	0.77	0.70	0.59	380	82	65.6	290	K
BC6N7.5			1170	254T	10.6	8.5	91	90	91.4	0.73	0.81	0.71	240	65.7	52.7	210	H
BC2N010	10	7.5	3515	215T	11.6	9.2	90.2	91	90.2	0.90	0.89	0.79	240	90	72	500	J
BC4N010			1750	215T	13.2	10.5	91.7	91.8	90.7	0.78	0.75	0.65	270	92	73.6	380	J
BC6N010			1170	256T	13.7	11	91	92.3	92	0.75	0.83	0.75	270	93.2	74.8	200	J
BC2N015	15	11	3540	254T	17	13.6	91	91.3	91	0.89	0.87	0.83	200	109	87.2	340	G
BC4N015			1765	254T	17.8	14.2	92.4	92.2	91	0.84	0.80	0.71	210	121	96.8	240	H
BC6N015			1175	284T	19.3	15.4	91.7	92.6	91.8	0.80	0.86	0.78	350	135.1	107.8	250	J
BC2N020	20	15	3515	256T	22.2	17.7	91	91.5	91	0.93	0.91	0.89	160	133	106.4	340	F
BC4N020			1765	256T	23.3	18.6	93	93.5	93	0.87	0.84	0.77	210	152	121.6	250	H
BC6N020			1175	286T	25.7	20.6	91.7	93.2	92.6	0.80	0.87	0.79	340	187.6	150.4	230	J
BC2N025	25	18.5	3525	284TS	27.2	21.7	91.7	92.5	91.9	0.93	0.92	0.88	150	170	136	200	F
BC4N025			1770	284T	27.9	22.3	93.6	94	93.7	0.89	0.87	0.80	180	173	138.4	260	F
BC6N025			1180	324T	31.9	25.5	93	93.2	92.5	0.79	0.84	0.74	250	248.8	198.9	210	J
BC2N030	30	22	3525	286TS	32.4	25.9	91.7	92	91.7	0.93	0.88	0.85	150	185	148	200	E
BC4N030			1770	286T	33.9	27.1	93.6	94	93.8	0.87	0.85	0.78	190	207	165.6	270	F
BC6N030			1180	326T	38	30.4	93	93.8	93.2	0.79	0.86	0.77	280	296.4	237.1	200	J
BC2N040	40	30	3525	326TS	46	36.8	93	93	92	0.88	0.86	0.81	180	290	232	260	G
BC4N040			1765	324T	45	36	94.1	94	93	0.89	0.85	0.78	170	290	232	280	G
BC6N040			1180	364T	46.8	37.4	94.1	93.9	93.4	0.84	0.80	0.69	220	304.2	243.1	200	G
BC2N050	50	37	3530	326TS	57	45.6	93.6	93.6	92.5	0.88	0.87	0.82	200	360	288	280	G
BC4N050			1765	326T	58	46.4	94.5	94.5	94	0.85	0.83	0.78	175	350	280	250	G
BC6N050			1180	365T	57.6	46.1	94.1	94.5	94.1	0.86	0.83	0.73	240	455	364.2	270	J
BC2N060	60	45	3560	364TS	66	52.8	93.6	93.1	91.6	0.91	0.89	0.85	200	440	352	300	G
BC4N060			1775	364T	68	54.4	95	95	94	0.88	0.85	0.78	200	435	348	260	G
BC6N060			1185	404T	70	56	94.5	95	94	0.85	0.85	0.77	210	476	380.8	200	H
BC2N075	75	55	3550	365TS	79.3	63.4	93.6	93.7	92.6	0.93	0.92	0.88	210	542	433.6	290	G
BC4N075			1765	365T	81.3	65	95.4	95.5	95	0.89	0.86	0.79	220	542	433.6	280	G
BC6N075			1185	405T	87.7	70.1	94.5	95	94.8	0.85	0.88	0.82	220	605.1	483.7	210	H
BC2N100	100	75	3540	405TS	110	88	94.1	94.2	93.6	0.91	0.90	0.85	150	700	560	250	G
BC4N100			1775	405T	116	92.8	95.4	95.5	95.2	0.85	0.83	0.77	190	725	580	220	G
BC6N100			1180	444T	115	92	95	94.7	94.4	0.86	0.84	0.75	220	885.5	708.4	200	H
BC2N125	125	90	3555	444TS	137	109.6	95	94.5	93.7	0.90	0.88	0.84	180	908	726.4	300	G
BC4N125			1775	444T	144	115.2	95.4	95.5	95.1	0.85	0.82	0.78	200	908	726.4	220	G
BC6N125			1180	445T	145	116	95	94.9	94.2	0.85	0.88	0.81	210	1087.5	870	200	H
BC2N150	150	110	3575	445TS	161	128.8	95	94.5	93.5	0.92	0.91	0.88	160	1085	868	280	G
BC4N150			1780	445T	170	136	95.8	95.9	95	0.86	0.85	0.80	190	1085	868	210	G
BC6N150			1180	447T	170	136	95.8	95.6	94.9	0.87	0.88	0.81	210	1275	1020	210	H
BC2N200	200	150	3575	447TS	215	172	95.4	95.6	94.1	0.92	0.94	0.84	220	1612.5	1290	210	H
BC4N200			1780	447T	221	176.8	96.2	96	95.3	0.88	0.89	0.82	220	1657.5	1326	210	H

Product Number	HP	KW	Full Load RPM	Frame	F.L. Amps		Efficiency			Power Factor			LRT %	L.R. Amps		BDT %	KVA Code
					190V	380V	FL	0.75	0.5	FL	0.75	0.5		190V	380V		
BA4N001	1	0.75	1400	143T	3.6	1.8	78.5	79.5	78.0	0.79	0.73	0.61	225	40	20	245	N
BA6N001			930	145T	3.8	1.9	80.0	81.0	79.5	0.74	0.65	0.52	200	40	20	230	N
BA2N1.5	1.5	1.1	2830	143T	4.6	2.3	82.5	83.0	83.0	0.90	0.87	0.79	280	54	27	305	M
BA4N1.5			1400	145T	5.2	2.6	80.0	82.0	81.5	0.82	0.77	0.66	205	54	27	230	M
BA6N1.5			960	182T	5.8	2.9	86.5	86.5	85.0	0.68	0.60	0.48	180	54	27	275	M
BA2N002	2	1.5	2840	145T	5.9	2.9	84.0	85.5	85.5	0.91	0.89	0.82	245	68	34	290	L
BA4N002			1390	145T	6.9	3.5	80.0	82.5	82.5	0.82	0.75	0.63	210	68	34	225	L
BA6N002			955	184T	7.0	3.5	87.5	88.0	88.5	0.74	0.69	0.58	130	68	34	215	L
BA2N003	3	2.2	2845	182T	8.6	4.3	85.5	87.0	87.0	0.92	0.91	0.85	280	86	43	310	K
BA4N003			1440	182T	9.1	4.6	86.5	87.5	87.0	0.86	0.82	0.73	205	86	43	260	K
BA6N003			960	213T	9.8	4.9	86.5	87.0	85.5	0.80	0.75	0.65	125	86	43	240	K
BA2N005	5	3	2815	184T	14.3	7.1	85.5	88.0	88.5	0.93	0.92	0.89	220	122	61	260	J
BA4N005			1415	184T	14.9	7.4	85.5	88.0	89.5	0.89	0.88	0.84	130	122	61	180	J
BA6N005			955	215T	16.1	8.0	86.5	87.5	87.0	0.81	0.78	0.69	110	122	61	205	J
BA2N7.5	7.5	5.5	2870	213T	21.3	10.7	88.5	89.5	89.5	0.90	0.89	0.85	180	168	84	230	H
BA4N7.5			1430	213T	22.5	11.2	87.5	89.0	90.0	0.86	0.83	0.75	175	168	84	205	H
BA6N7.5			960	254T	22.9	11.4	88.5	90.0	90.5	0.84	0.80	0.71	175	168	84	210	H
BA2N010	10	7.5	2860	215T	28.0	14.0	88.5	90.5	91.0	0.91	0.93	0.93	170	214	107	210	H
BA4N010			1425	215T	29.1	14.6	87.5	89.5	89.5	0.89	0.87	0.81	155	214	107	195	H
BA6N010			965	256T	29.7	14.9	90.2	91.0	91.0	0.84	0.81	0.72	185	214	107	225	H
BA2N015	15	11	2905	254T	42.0	21.0	88.5	89.5	90.5	0.91	0.89	0.87	180	308	154	220	G
BA4N015			1450	254T	43.8	21.9	90.2	91.5	92.0	0.86	0.84	0.79	170	308	154	205	G
BA6N015			965	284T	44.7	22.3	89.5	90.5	91.5	0.85	0.84	0.77	180	308	154	205	G
BA2N020	20	15	2890	256T	55.1	27.5	89.5	91.0	92.0	0.92	0.92	0.90	170	388	194	205	G
BA4N020			1450	256T	56.2	28.1	90.2	91.5	92.5	0.89	0.88	0.83	170	388	194	210	G
BA6N020			960	286T	60.3	30.1	88.5	90.5	91.5	0.85	0.85	0.80	160	388	194	180	G
BA2N025	25	18.5	2925	284TS	69.8	34.9	90.2	91.0	90.2	0.90	0.90	0.89	130	486	243	205	G
BA4N025			1455	284T	68.3	34.1	91.7	92.5	93.0	0.90	0.90	0.88	180	486	243	220	G
BA6N025			965	324T	75.2	37.6	90.2	91.5	92.5	0.83	0.83	0.78	155	486	243	165	G
BA2N030	30	22	2925	286TS	81.6	40.8	91.0	91.7	91.0	0.91	0.90	0.90	135	578	289	205	G
BA4N030			1445	286T	82.6	41.3	91.0	92.5	93.0	0.90	0.91	0.89	150	578	289	230	G

W-Range Performance

50 HZ - NEMA Premium Cast Iron - TEFC



Product Number	HP	KW	Full Load RPM	Frame	F.L. Amps		Efficiency			Power Factor			LRT %	L.R. AMPS		BDT %	KVA Code
					190V	380V	FL	0.75	0.5	FL	0.75	0.5		190V	380V		
BC4N001	1	0.75	1400	143T	3.6	1.8	78.5	79.5	78.0	0.79	0.73	0.61	225	40	20	245	K
BC6N001			930	145T	3.8	1.9	80.0	81.0	79.5	0.74	0.65	0.52	200	40	20	230	K
BC2N1.5	1.5	1.1	2830	143T	4.6	2.3	82.5	83.0	83.0	0.90	0.87	0.79	280	54	27	305	J
BC4N1.5			1400	145T	5.2	2.6	80.0	82.0	81.5	0.82	0.77	0.66	205	54	27	230	K
BC6N1.5			960	182T	5.8	2.9	86.5	86.5	85.0	0.68	0.60	0.48	180	54	27	275	K
BC2N002	2	1.5	2840	145T	5.9	2.9	84.0	85.5	85.5	0.91	0.89	0.82	245	68	34	290	J
BC4N002			1390	145T	6.9	3.5	80.0	82.5	82.5	0.82	0.75	0.63	210	68	34	225	J
BC6N002			955	184T	7.0	3.5	87.5	88.0	88.5	0.74	0.69	0.58	130	68	34	215	J
BC2N003	3	2.2	2845	182T	8.6	4.3	85.5	87.0	87.0	0.92	0.91	0.85	280	86	43	310	J
BC4N003			1440	182T	9.1	4.6	86.5	87.5	87.0	0.86	0.82	0.73	205	86	43	260	N
BC6N003			960	213T	9.8	4.9	86.5	87.0	85.5	0.80	0.75	0.65	125	86	43	240	J
BC2N005	5	4	2815	184T	14.3	7.1	85.5	88.0	88.5	0.93	0.92	0.89	220	122	61	260	H
BC4N005			1415	184T	14.9	7.4	85.5	88.0	89.5	0.89	0.88	0.84	130	122	61	180	H
BC6N005			955	215T	16.1	8.0	86.5	87.5	87.0	0.81	0.78	0.69	110	122	61	205	J
BC2N7.5	7.5	5.5	2870	213T	21.3	10.7	88.5	89.5	89.5	0.90	0.89	0.85	180	168	84	230	K
BC4N7.5			1430	213T	22.5	11.2	87.5	89.0	90.0	0.86	0.83	0.75	175	168	84	205	K
BC6N7.5			960	254T	22.9	11.4	88.5	90.0	90.5	0.84	0.80	0.71	175	168	84	210	H
BC2N010	10	7.5	2860	215T	28.0	14.0	88.5	90.5	91.0	0.91	0.93	0.93	170	214	107	210	J
BC4N010			1425	215T	29.1	14.6	87.5	89.5	89.5	0.89	0.87	0.81	155	214	107	195	J
BC6N010			965	256T	29.7	14.9	90.2	91.0	91.0	0.84	0.81	0.72	185	214	107	225	J
BC2N015	15	11	2905	254T	42.0	21.0	88.5	89.5	90.5	0.91	0.89	0.87	180	308	154	220	G
BC4N015			1450	254T	43.8	21.9	90.2	91.5	92.0	0.86	0.84	0.79	170	308	154	205	H
BC6N015			965	284T	44.7	22.3	89.5	90.5	91.5	0.85	0.84	0.77	180	308	154	205	J
BC2N020	20	15	2890	256T	55.1	27.5	89.5	91.0	92.0	0.92	0.92	0.90	170	388	194	205	F
BC4N020			1450	256T	56.2	28.1	90.2	91.5	92.5	0.89	0.88	0.83	170	388	194	210	H
BC6N020			960	286T	60.3	30.1	88.5	90.5	91.5	0.85	0.85	0.80	160	388	194	180	J
BC2N025	25	18.5	2925	284TS	69.8	34.9	90.2	91.0	90.2	0.90	0.90	0.89	130	486	243	205	F
BC4N025			1455	284T	68.3	34.1	91.7	92.5	93.0	0.90	0.90	0.88	180	486	243	220	F
BC6N025			965	324T	75.2	37.6	90.2	91.5	92.5	0.83	0.83	0.78	155	486	243	165	J
BC2N030	30	22	2925	286TS	81.6	40.8	91.0	91.7	91.0	0.91	0.90	0.90	135	578	289	205	E
BC4N030			1445	286T	82.6	41.3	91.0	92.5	93.0	0.90	0.91	0.89	150	578	289	230	F
BC6N030			965	326T	89.8	44.9	90.2	92.0	93.0	0.84	0.83	0.79	160	578	289	185	J
BC2N040	40	30	2935	326TS	110.4	55.2	91.7	92.4	91.7	0.89	0.89	0.88	130	774	387	205	G
BC4N040			1460	324T	109.6	54.8	92.4	93.5	94.0	0.89	0.89	0.87	175	774	387	200	G
BC6N040			975	364T	112.8	56.4	92.4	93.5	93.5	0.87	0.86	0.82	160	774	387	180	G
BC2N050	50	37	2935	326TS	137.4	68.7	91.7	93.0	93.0	0.90	0.89	0.89	120	964	482	210	G
BC4N050			1460	326T	136.2	68.1	93.0	94.0	95.0	0.89	0.89	0.87	180	964	482	205	G
BC6N050			970	365T	141.8	70.9	92.4	93.5	93.5	0.86	0.86	0.83	150	964	482	170	J
BC2N060	60	45	2940	364TS	155.6	77.8	93.0	93.6	93.0	0.94	0.93	0.91	140	1156	578	235	G
BC4N060			1470	364T	164.2	82.1	94.1	94.5	95.0	0.88	0.88	0.85	160	1156	578	220	G
BC6N060			975	404T	166.3	83.2	92.4	94.0	94.5	0.88	0.88	0.84	160	1156	578	195	H
BC2N075	75	55	2945	365TS	193.2	96.6	93.6	94.5	93.6	0.94	0.94	0.91	150	1444	722	240	G
BC4N075			1470	365T	204.2	102.1	94.1	94.5	94.5	0.88	0.89	0.87	160	1444	722	220	G
BC6N075			975	405T	207.7	103.9	93.0	94.0	94.5	0.88	0.88	0.94	160	1444	722	190	H
BC2N100	100	75	2950	405TS	258.0	129.0	94.5	95.0	95.0	0.93	0.93	0.91	110	1930	965	255	G
BC4N100			1475	405T	273.7	136.9	94.1	95.0	95.0	0.88	0.90	0.88	205	1930	965	225	G
BC6N100			980	444T	290.9	145.5	94.1	93.6	91.8	0.82	0.80	0.73	104	1450	725	168	H
BC2N125	125	90	2965	444TS	-	173.4	94.7	94.2	93.3	0.86	0.83	0.80	180	1814	907	168	G
BC4N125			1480	444T	-	176.6	94.6	94.1	93.3	0.84	0.82	0.75	196	1814	907	168	G
BC6N125			980	445T	-	178.7	94.6	94.1	93.2	0.83	0.81	0.74	180	1814	907	168	H
BC2N150	150	110	2968	445TS	-	205.6	94.7	94.2	93.2	0.87	0.84	0.81	196	2170	1085	168	G
BC4N150			1480	445T	-	211.9	94.6	94.1	93.2	0.84	0.82	0.76	104	2170	1085	168	G

Product Number	HP	KW	RPM	Frame	F.L. AMPS		Efficiency			Power Factor			LRT %	L.R. Amps		BDT %
					460V	575V	FL	0.75	0.5	FL	0.75	0.5		460V	575V	
BA2M.25	0.25	0.18	3370	63	0.6	0.4	64	66	57	0.64	0.54	0.42	220	1.7	1.4	220
BA4M.25			1645	63	0.8	0.6	58	62	57	0.52	0.45	0.37	200	1.8	1.4	200
BA6M.25			1056	71	0.8	0.6	61	59	53	0.57	0.50	0.39	187	2.3	1.8	175
BA2M.33	0.33	0.25	3370	63	0.6	0.5	65	64	58	0.78	0.68	0.57	230	2.7	2.2	250
BA4M.33			1655	71	0.7	0.6	70	70	67	0.64	0.54	0.41	200	2.3	1.9	210
BA6M.33			1105	80	0.7	0.6	68	65	57	0.65	0.56	0.45	200	2.7	2.1	230
BA2M.50	0.5	0.37	3370	71	0.9	0.7	71	72	68	0.75	0.64	0.50	230	3.7	3	240
BA4M.50			1655	71	1	0.8	73	73	69	0.63	0.54	0.42	220	3.7	3	220
BA6M.50			1105	80	1.1	0.9	65	59	51	0.65	0.55	0.43	200	3.7	2.9	220
BA2M.75	0.75	0.55	3370	71	1.2	1	74	76	76	0.79	0.68	0.51	220	5.4	4.3	240
BA4M.75			1680	80	1.4	1.1	77	75	72	0.65	0.56	0.46	220	6.3	5	230
BA6M.75			1105	80	1.5	1.2	71	71	67	0.66	0.55	0.41	200	5.2	4.2	220
BA2M001	1	0.75	3420	80	1.6	1.3	78	78	74	0.77	0.73	0.61	250	8.7	6.9	275
BA4M001			1680	80	1.8	1.4	77	77	74	0.70	0.60	0.48	220	7.9	4.5	230
BA6M001			1150	90S	1.9	1.5	80	78	75	0.62	0.54	0.40	270	11	8.8	270
BA2M1.5	1.5	1.1	3420	80	2.3	1.8	79	78	73	0.80	0.74	0.64	250	14.4	11.5	275
BA4M1.5			1720	90S	2.1	1.6	86.5	86	84.5	0.76	0.67	0.56	420	16.5	13.2	400
BA6M1.5			1130	90L	1.7	1.4	72	69	64	0.57	0.50	0.40	240	6.5	5.2	280
BA2M002	2	1.5	3460	90S	2.6	2	85.5	85.8	85.5	0.86	0.82	0.74	300	19.5	15.6	330
BA4M002			1720	90L	2.9	2.3	86.5	86	84.5	0.74	0.65	0.52	280	19	15.2	300
BA6M002			1140	100L	3	2.4	88.5	87.1	86	0.71	0.65	0.51	280	19.8	15.8	240
BA2M003	3	2.2	3460	90L	3.5	2.8	86.5	85.8	82.5	0.91	0.85	0.78	410	41.6	33.3	560
BA4M003			1730	100L	3.9	3.1	89.5	89	86.5	0.79	0.71	0.57	250	29.2	23.4	300
BA6M003			1140	112M	4.2	3.4	89.5	89.5	88.2	0.74	0.73	0.60	310	27	22	230
BA2M004	4	3	3470	100L	4.9	3.9	88.5	88.3	87.5	0.92	0.88	0.82	380	61.5	49.2	250
BA4M004			1730	100L	5.5	4.4	89.5	89.5	89	0.83	0.76	0.64	210	44	35.2	250
BA6M004			1150	132S	6.1	4.8	89.5	90.1	89.3	0.74	0.75	0.64	230	44.7	35.9	220
BA2M5.5	5.5	4	3470	112M	5.9	4.7	88.5	88.3	87.5	0.92	0.88	0.82	380	61.5	49.2	250
BA4M5.5			1740	112M	6.2	5	89.5	89.5	89	0.83	0.76	0.64	210	44	35.2	250
BA6M5.5			1150	132M	7.1	5.7	89.5	90.1	89.3	0.74	0.75	0.64	230	44.7	35.9	220
BA2M7.5	7.5	5.5	3490	132S	8.4	6.7	89.5	89.8	89.7	0.92	0.89	0.82	330	81	64.8	480
BA4M7.5			1750	132S	9.8	7.8	91.7	91.7	90	0.77	0.70	0.59	380	82	65.6	290
BA6M7.5			1150	132M	10.6	8.5	91	90.1	88.8	0.73	0.69	0.56	240	66	53	210
BA2M010	10	7.5	3500	132S	11.6	9.2	90.2	91	90.2	0.90	0.89	0.79	240	90	72	500
BA4M010			1750	132M	13.2	10.5	91.7	91.8	90.7	0.78	0.75	0.65	270	92	73.6	380
BA6M010			1145	160L	14.1	17.7	91.7	92.6	91.8	0.85	0.86	0.78	250	129	103.4	280
BA2M015	15	11	3520	160M	17	13.6	91	91.3	91	0.89	0.87	0.83	200	109	87.2	340
BA4M015			1760	160M	17.8	14.2	92.4	92.2	91	0.84	0.80	0.71	210	121	96.8	240
BA6M015			1170	160L	19.3	15.4	91.7	91.3	89.6	0.80	0.71	0.59	350	135	108	250
BA2M020	20	15	3515	160M	22.2	17.7	91	91.5	91	0.93	0.91	0.89	160	133	106.4	340
BA4M020			1755	160L	23.3	18.6	93	93.5	93	0.87	0.84	0.77	210	152	121.6	250
BA6M020			1170	160L	25.7	20.6	91.7	91.6	90.5	0.80	0.78	0.66	340	188	151	230
BA2M025	25	18.5	3535	160L	27.2	21.7	91.7	92.5	91.9	0.93	0.92	0.88	150	170	136	200
BA4M025			1765	180M	27.9	22.3	93.6	94	93.7	0.89	0.87	0.80	180	173	138.4	260
BA6M025			1175	180M	31.9	25.5	93	93.2	92.5	0.79	0.84	0.74	250	248.8	198.9	210
BA2M030	30	22	3525	180M	32.4	25.9	91.7	92	91.7	0.93	0.88	0.85	150	185	148	200
BA4M030			1760	180L	33.9	27.1	93.6	94	93.8	0.87	0.85	0.78	190	207	165.6	270
BA6M030			1175	180L	38	30.4	93	93.8	93.2	0.79	0.86	0.77	280	296.4	237.1	200

W-Range Performance

60 HZ - IEC Premium Cast Iron - TEFC



Product Number	HP	KW	Full Load RPM	Frame	F.L. Amps		Efficiency			Power Factor			LRT %	L.R. AMPS		BDT %
					460V	575V	FL	0.75	0.5	FL	0.75	0.5		460V	575V	
BC2M001	1	0.75	3470	80	1.4	1.1	77	77	72	0.85	0.74	0.55	280	9.1	7.3	300
BC4M001			1740	80	1.5	1.2	85.5	85	82	0.72	0.65	0.52	300	11.2	9.0	320
BC6M001			1150	90S	1.7	1.4	82.5	85.4	83.5	0.66	0.71	0.59	340	10.5	8.7	270
BC2M1.5	1.5	1.1	3495	80	1.9	1.5	84	84.1	83.5	0.86	0.82	0.75	370	15.0	12.0	400
BC4M1.5			1745	90S	2.1	1.6	86.5	86	84.5	0.76	0.67	0.56	420	16.5	13.2	400
BC6M1.5			1150	90L	2.2	1.8	87.5	86.6	85	0.73	0.72	0.60	310	15.4	12.6	250
BC2M002	2	1.5	3490	90S	2.6	2	85.5	85.8	85.5	0.86	0.82	0.74	300	19.5	15.6	330
BC4M002			1740	90L	2.9	2.3	86.5	86	84.5	0.74	0.65	0.52	280	19.0	15.2	300
BC6M002			1150	100L	3	2.4	88.5	87.1	86	0.71	0.76	0.65	280	19.8	15.8	240
BC2M003	3	2.2	3520	90L	3.5	2.8	86.5	85.8	82.5	0.91	0.85	0.78	410	41.6	33.3	560
BC4M003			1760	100L	3.9	3.1	89.5	89	86.5	0.79	0.71	0.57	250	29.2	23.4	300
BC6M003			1170	112M	4.2	3.4	89.5	89.5	88.2	0.74	0.74	0.61	310	26.9	21.8	230
BC2M004	4	3	3510	100L	4.6	3.7	88.5	88.3	87.5	0.92	0.88	0.82	380	61.5	49.2	250
BC4M004			1745	100L	5.0	4.0	89.5	89.5	89	0.83	0.76	0.64	210	44.0	35.2	250
BC6M004			1165	132S	5.6	4.5	89.5	90.1	89.3	0.74	0.75	0.64	230	44.7	35.9	220
BC2M5.5	5.5	4	3510	112M	5.7	4.6	88.5	88.3	87.5	0.92	0.88	0.82	380	61.5	49.2	250
BC4M5.5			1745	112M	6.3	5	89.5	89.5	89	0.83	0.76	0.64	210	44.0	35.2	250
BC6M5.5			1165	132M	7.1	5.7	89.5	90.1	89.3	0.74	0.75	0.64	230	44.7	35.9	220
BC2M7.5	7.5	5.5	3520	132S	8.4	6.7	89.5	89.8	89.7	0.92	0.89	0.82	330	81.0	64.8	480
BC4M7.5			1760	132S	9.8	7.8	91.7	91.7	90	0.77	0.70	0.59	380	82.0	65.6	290
BC6M7.5			1170	132M	10.6	8.5	91	90	91.4	0.73	0.81	0.71	240	65.7	52.7	210
BC2M010	10	7.5	3515	132S	11.6	9.2	90.2	91	90.2	0.90	0.89	0.79	240	90.0	72.0	500
BC4M010			1750	132M	13.2	10.5	91.7	91.8	90.7	0.78	0.75	0.65	270	92.0	73.6	380
BC6M010			1170	160M	13.7	11	91	92.3	92	0.75	0.83	0.75	270	93.2	74.8	200
BC2M015	15	11	3540	160M	17	13.6	91	91.3	91	0.89	0.87	0.83	200	109.0	87.2	340
BC4M015			1765	160M	17.8	14.2	92.4	92.2	91	0.84	0.80	0.71	210	121.0	96.8	240
BC6M015			1175	160L	19.3	15.4	91.7	92.6	91.8	0.80	0.86	0.78	350	135.1	107.8	250
BC2M020	20	15	3515	160M	22.2	17.7	91	91.5	91	0.93	0.91	0.89	160	133.0	106.4	340
BC4M020			1765	160L	23.3	18.6	93	93.5	93	0.87	0.84	0.77	210	152.0	121.6	250
BC6M020			1175	180L	25.7	20.6	91.7	93.2	92.6	0.80	0.87	0.79	340	187.6	150.4	230
BC2M025	25	18.5	3525	160L	27.2	21.7	91.7	92.5	91.9	0.93	0.92	0.88	150	170.0	136.0	200
BC4M025			1770	180M	27.9	22.3	93.6	94	93.7	0.89	0.87	0.80	180	173.0	138.4	260
BC6M025			1180	200L	31.9	25.5	93	93.2	92.5	0.79	0.84	0.74	250	248.8	198.9	210
BC2M030	30	22	3525	180M	32.4	25.9	91.7	92	91.7	0.93	0.88	0.85	150	185.0	148.0	200
BC4M030			1770	180L	33.9	27.1	93.6	94	93.8	0.87	0.85	0.78	190	207.0	165.6	270
BC6M030			1180	200L	38	30.4	93	93.8	93.2	0.79	0.86	0.77	280	296.4	237.1	200
BC2M040	40	30	3525	200L	46	36.8	93	93	92	0.88	0.86	0.81	180	290.0	232.0	260
BC4M040			1765	200L	45	36	94.1	94	93	0.89	0.85	0.78	170	290.0	232.0	280
BC6M040			1180	225M	46.8	37.4	94.1	93.9	93.4	0.84	0.80	0.69	220	304.2	243.1	200
BC2M050	50	37	3530	200L	57	45.6	93.6	93.6	92.5	0.88	0.87	0.82	200	360.0	288.0	280
BC4M050			1765	225S	58	46.4	94.5	94.5	94	0.85	0.83	0.78	175	350.0	280.0	250
BC6M050			1180	250M	57.6	46.1	94.1	94.5	94.1	0.86	0.83	0.73	240	455.0	364.2	270
BC2M060	60	45	3560	225M	66	52.8	93.6	93.1	91.6	0.91	0.89	0.85	200	440.0	352.0	300
BC4M060			1775	225M	68	54.4	95	95	94	0.88	0.85	0.78	200	435.0	348.0	260
BC6M060			1185	280S	70	56	94.5	95	94	0.85	0.85	0.77	210	476.0	380.8	200
BC2M075	75	55	3550	250M	79.3	63.4	93.6	93.7	92.6	0.93	0.92	0.88	210	542.0	433.6	290
BC4M075			1765	250M	81.3	65	95.4	95.5	95	0.89	0.86	0.79	220	542.0	433.6	280
BC6M075			1185	280M	87.7	70.1	94.5	95	94.8	0.85	0.88	0.82	220	605.1	483.7	210
BC2M100	100	75	3540	280S	110	88	94.1	94.2	93.6	0.91	0.90	0.85	150	700.0	560.0	250
BC4M100			1775	280S	116	92.8	95.4	95.5	95.2	0.85	0.83	0.77	190	725.0	580.0	220
BC6M100			1180	315S	115	92	95	94.7	94.4	0.86	0.84	0.75	220	885.5	708.4	200
BC2M125	125	90	3555	280M	137	109.6	95	94.5	93.7	0.90	0.88	0.84	180	908.0	726.4	300
BC4M125			1775	280M	144	115.2	95.4	95.5	95.1	0.85	0.82	0.78	200	908.0	726.4	220
BC6M125			1180	315M	145	116	95	94.9	94.2	0.85	0.88	0.81	210	1087.5	870.0	200
BC2M150	150	110	3575	315S	161	128.8	95	94.5	93.5	0.92	0.91	0.88	160	1085.0	868.0	280
BC4M150			1780	315S	170	136	95.8	95.9	95	0.86	0.85	0.80	190	1085.0	868.0	210
BC6M150			1180	315L	170	136	95.8	95.6	94.9	0.87	0.88	0.81	210	1275.0	1020.0	210
BC2M200	200	150	3575	315M	215	172	95.4	95.6	94.1	0.92	0.94	0.84	220	1612.5	1290.0	210
BC4M200			1780	315M	221	176.8	96.2	96	95.3	0.88	0.89	0.82	220	1657.5	1326.0	210

Product Number	HP	KW	RPM	Frame	F.L. AMPS	Efficiency			Power Factor			LRT %	L.R. Amps 400V	BDT %
					400V	FL	0.75	0.5	FL	0.75	0.5			
BA2M.25	0.25	0.18	2810	63	0.69	60	55	46	0.7	0.61	0.5	190	2.0	170
BA4M.25			1370	63	0.92	62	58	51	0.66	0.56	0.44	220	2.1	200
BA6M.25			910	71	0.92	61	59	53	0.57	0.5	0.39	170	2.7	150
BA2M.33	0.33	0.25	2810	63	0.69	64	63	57	0.78	0.68	0.57	230	3.1	210
BA4M.33			1400	71	0.81	69	68	62	0.65	0.55	0.44	180	2.7	160
BA6M.33			920	80	0.81	61	59	53	0.56	0.49	0.38	170	3.1	150
BA2M.50	0.5	0.37	2815	71	1.04	72	73	71	0.84	0.76	0.63	180	4.3	160
BA4M.50			1410	71	1.15	71	69	63	0.68	0.57	0.45	180	4.3	160
BA6M.50			920	80	1.27	69	68	64	0.61	0.51	0.4	200	4.3	180
BA2M.75	0.75	0.55	2820	71	1.38	74	75	73	0.87	0.81	0.7	190	6.2	160
BA4M.75			1410	80	1.61	75	75	70	0.67	0.57	0.45	200	7.3	180
BA6M.75			920	80	1.73	71	71	68	0.63	0.54	0.41	200	6.0	180
BA2M001	1	0.75	2880	80	1.84	77.4	76.9	75.2	0.84	0.78	0.66	300	10.0	240
BA4M001			1440	80	2.07	79.6	78.8	77.4	0.72	0.62	0.49	380	9.1	180
BA6M001			935	90S	2.19	75.9	73.8	70.1	0.65	0.54	0.44	320	12.7	250
BA2M1.5	1.5	1.1	2850	80	2.65	79.6	80.7	78.6	0.84	0.77	0.65	280	16.6	240
BA4M1.5			1425	90S	2.42	81.4	81.5	82	0.77	0.78	0.58	230	19.0	230
BA6M1.5			925	90L	1.96	78.1	75.6	73.1	0.67	0.57	0.42	300	17.5	260
BA2M002	2	1.5	2890	90S	2.99	81.3	82.3	82.6	0.9	0.84	0.76	280	22.4	240
BA4M002			1440	90L	3.34	82.8	83	81	0.7	0.58	0.46	420	21.9	360
BA6M002			930	100L	3.45	79.8	76.8	74.6	0.65	0.68	0.51	200	22.8	190
BA2M003	3	2.2	2890	90L	4.03	83.2	85.4	84.1	0.82	0.72	0.58	250	47.8	250
BA4M003			1435	100L	4.49	84.3	83.6	81.4	0.74	0.66	0.53	310	33.6	260
BA6M003			950	112M	4.83	81.8	77.6	73.9	0.7	0.56	0.45	250	31.1	200
BA2M004	4	3	2890	100L	5.64	84.6	82.7	75.2	0.88	0.74	0.54	310	70.7	240
BA4M004			1455	100L	6.33	85.5	83.5	82.6	0.74	0.63	0.5	390	50.6	280
BA6M004			965	132S	7.02	83.3	84.8	83.2	0.71	0.67	0.54	230	51.4	160
BA2M5.5	5.5	4	2870	112M	6.79	85.8	89.2	87.4	0.91	0.88	0.81	300	70.7	280
BA4M5.5			1440	112M	7.13	86.6	86.6	85.9	0.77	0.69	0.55	300	50.6	260
BA6M5.5			960	132M	8.17	84.6	84.8	82.5	0.74	0.66	0.54	220	51.4	160
BA2M7.5	7.5	5.5	2910	132S	9.66	87	88.8	87.9	0.89	0.83	0.7	270	93.2	240
BA4M7.5			1460	132S	11.27	87.7	88	87.2	0.82	0.74	0.63	330	94.3	230
BA6M7.5			950	132M	12.19	86	85.2	83.5	0.73	0.68	0.55	200	75.9	160
BA2M010	10	7.5	2900	132S	13.34	88.1	88.4	88.5	0.91	0.88	0.82	250	103.5	230
BA4M010			1460	132M	15.18	88.7	89.4	88.6	0.83	0.76	0.67	320	105.8	250
BA2M015	15	11	2940	160M	19.55	89.4	89.7	88.5	0.89	0.84	0.76	220	125.4	180
BA4M015			1465	160M	20.47	89.8	91	90.4	0.83	0.78	0.67	250	139.2	200
BA6M015			980	160L	22.20	88.7	90	88.8	0.75	0.67	0.57	200	155.3	190
BA2M020	20	15	2940	160M	25.53	90.3	89.8	88.8	0.9	0.84	0.79	220	153.0	190
BA4M020			1460	160L	26.80	90.6	91.8	91.6	0.85	0.81	0.71	250	174.8	200
BA6M020			980	160L	29.56	89.7	90.8	89.6	0.78	0.74	0.63	240	216.2	220
BA2M025	25	18.5	2935	160L	31.28	90.9	90.6	89.8	0.9	0.86	0.8	240	195.5	190
BA4M025			1470	180M	32.09	91.2	91.8	90.7	0.84	0.77	0.66	280	199.0	220
BA6M025			980	180M	36.69	90.4	90.8	90	0.81	0.76	0.65	230	286.1	280
BA2M030	30	22	2950	180M	37.26	91.3	91.5	90.4	0.89	0.86	0.76	220	212.8	190
BA4M030			1470	180L	38.99	91.6	92.1	91.6	0.86	0.83	0.71	250	238.1	200
BA6M030			980	180L	43.70	90.9	91.1	90.5	0.83	0.78	0.68	230	340.9	280

W-Range Performance
50 HZ - IEC Premium Cast Iron - TEFC



Product Number	HP	KW	Full Load RPM	Frame	F.L. Amps	Efficiency			Power Factor			LRT %	L.R. AMPS	BDT %
					400V	FL	0.75	0.5	FL	0.75	0.5		400V	
BC2M001	1	0.75	2880	80	1.61	77.4	76.9	75.2	0.84	0.78	0.66	300	10.5	240
BC4M001			1440	80	1.73	79.6	78.8	77.4	0.72	0.62	0.49	380	12.9	180
BC6M001			935	90S	1.96	75.9	73.8	70.1	0.65	0.54	0.44	320	12.1	250
BC2M1.5	1.5	1.1	2850	80	2.19	79.6	80.7	78.6	0.84	0.77	0.65	280	17.3	240
BC4M1.5			1425	90S	2.42	81.4	81.5	82	0.77	0.78	0.58	230	19.0	230
BC6M1.5			925	90L	2.53	78.1	75.6	73.1	0.67	0.57	0.42	300	17.7	260
BC2M002	2	1.5	2890	90S	2.99	81.3	82.3	82.6	0.9	0.84	0.76	280	22.4	240
BC4M002			1440	90L	3.34	82.8	83	81	0.7	0.58	0.46	420	21.9	360
BC6M002			930	100L	3.45	79.8	76.8	74.6	0.65	0.68	0.51	200	22.8	190
BC2M003	3	2.2	2890	90L	4.03	83.2	85.4	84.1	0.82	0.72	0.58	250	47.8	250
BC4M003			1435	100L	4.49	84.3	83.6	81.4	0.74	0.66	0.53	310	33.6	260
BC6M003			950	112M	4.83	81.8	77.6	73.9	0.7	0.56	0.45	250	30.9	200
BC2M004	4	3	2890	100L	5.29	84.6	82.7	75.2	0.88	0.74	0.54	310	70.7	240
BC4M004			1455	100L	5.75	85.5	83.5	82.6	0.74	0.63	0.5	390	50.6	280
BC6M004			965	132S	6.44	83.3	84.8	83.2	0.71	0.67	0.54	230	51.4	160
BC2M5.5	5.5	4	2870	112M	6.56	85.8	89.2	87.4	0.91	0.88	0.81	300	70.7	280
BC4M5.5			1440	112M	7.25	86.6	86.6	85.9	0.77	0.69	0.55	300	50.6	260
BC6M5.5			960	132M	8.17	84.6	84.8	82.5	0.74	0.66	0.54	220	51.4	160
BC2M7.5	7.5	5.5	2910	132S	9.66	87	88.8	87.9	0.89	0.83	0.7	270	93.2	240
BC4M7.5			1460	132S	11.27	87.7	88	87.2	0.82	0.74	0.63	330	94.3	230
BC6M7.5			950	132M	12.19	86	85.2	83.5	0.73	0.68	0.55	200	75.6	160
BC2M010	10	7.5	2900	132S	13.34	88.1	88.4	88.5	0.91	0.88	0.82	250	103.5	230
BC4M010			1460	132M	15.18	88.7	89.4	88.6	0.83	0.76	0.67	320	105.8	250
BC6M010			975	160M	15.76	87.2	88.1	86.2	0.75	0.67	0.56	180	107.2	170
BC2M015	15	11	2940	160M	19.55	89.4	89.7	88.5	0.89	0.84	0.76	220	125.4	180
BC4M015			1465	160M	20.47	89.8	91	90.4	0.83	0.78	0.67	250	139.2	200
BC6M015			980	160L	22.20	88.7	90	88.8	0.75	0.67	0.57	200	155.4	190
BC2M020	20	15	2940	160M	25.53	90.3	89.8	88.8	0.9	0.84	0.79	220	153.0	190
BC4M020			1460	160L	26.80	90.6	91.8	91.6	0.85	0.81	0.71	250	174.8	200
BC6M020			980	180L	29.56	89.7	90.8	89.6	0.78	0.74	0.63	240	215.7	220
BC2M025	25	18.5	2935	160L	31.28	90.9	90.6	89.8	0.9	0.86	0.8	240	195.5	190
BC4M025			1470	180M	32.09	91.2	91.8	90.7	0.84	0.77	0.66	280	199.0	220
BC6M025			980	200L	36.69	90.4	90.8	90	0.81	0.76	0.65	230	286.1	280
BC2M030	30	22	2950	180M	37.26	91.3	91.5	90.4	0.89	0.86	0.76	220	212.8	190
BC4M030			1470	180L	38.99	91.6	92.1	91.6	0.86	0.83	0.71	250	238.1	200
BC6M030			980	200L	43.70	90.9	91.1	90.5	0.83	0.78	0.68	230	340.9	280
BC2M040	40	30	2945	200L	52.90	92	90	88.4	0.89	0.86	0.79	270	333.5	230
BC4M040			1470	200L	51.75	92.3	93.1	92.6	0.86	0.83	0.74	230	333.5	190
BC6M040			985	225M	53.82	91.7	92.8	92	0.81	0.73	0.63	270	349.8	180
BC2M050	50	37	2945	200L	65.55	92.5	93.1	92.6	0.88	0.8	0.76	270	414.0	230
BC4M050			1475	225S	66.70	92.7	93.2	92.5	0.87	0.83	0.74	230	402.5	190
BC6M050			985	250M	66.24	92.2	93.3	92.6	0.81	0.86	0.66	270	523.3	180
BC2M060	60	45	2955	225M	75.90	92.9	93.3	92.6	0.9	0.89	0.84	230	506.0	190
BC4M060			1480	225M	78.20	93.1	93.1	93.1	0.86	0.86	0.79	270	500.3	190
BC6M060			985	280S	80.50	92.7	93.4	92.8	0.81	0.82	0.8	250	547.4	180
BC2M075	75	55	2955	250M	91.20	93.2	94.6	93.7	0.91	0.9	0.86	230	623.3	190
BC4M075			1475	250M	93.50	93.5	92.8	92.2	0.87	0.81	0.76	270	623.3	190
BC6M075			985	280M	100.86	93.1	94.1	93.8	0.82	0.8	0.74	250	695.9	190
BC2M100	100	75	2960	280S	126.50	93.8	95.1	94.3	0.9	0.91	0.9	220	805.0	200
BC4M100			1480	280S	133.40	94	95.2	92.4	0.85	0.82	0.74	240	833.8	190
BC6M100			990	315S	132.25	93.7	94.4	93.3	0.83	0.79	0.7	300	1018.3	210
BC2M125	125	90	2960	280M	157.55	94.1	95.2	94.7	0.91	0.89	0.83	220	1044.2	200
BC4M125			1480	280M	165.60	94.2	95.2	94.6	0.85	0.82	0.73	250	1044.2	200
BC6M125			990	315M	166.75	94	94.3	93.4	0.83	0.8	0.72	300	1250.6	210
BC2M150	150	110	2980	315S	185.15	94.3	94.8	93.7	0.91	0.9	0.85	220	1247.8	180
BC4M150			1485	315S	195.50	94.5	95.3	94.6	0.87	0.84	0.77	240	1247.8	200
BC6M150			988	315L	195.50	94.3	94.7	93.8	0.85	0.81	0.73	280	1466.3	190
BC2M200	200	150	2980	315M	247.25	94.7	95.4	94.5	0.91	0.88	0.83	220	1854.4	180
BC4M200			1490	315M	254.15	94.9	95.7	94.8	0.89	0.87	0.81	240	1906.1	200

Product Number	HP	Full Load RPM	Frame	F.L. Amps		Efficiency			Power Factor			LRT %	L.R. Amps		BDT %	KVA Code
				460V	575V	FL	0.75	0.5	FL	0.75	0.5		460V	575V		
PX4N001	1	1730	143T	1.6	1.2	85.5	84	80.5	0.68	0.59	0.45	350	15	12	450	N
PX6N001		1150	145T	1.7	1.3	82.5	82	79.5	0.66	0.57	0.45	250	15	12	305	N
PX2N1.5	1.5	3465	143T	1.9	1.5	84	84	81	0.84	0.77	0.65	310	20	16	395	M
PX4N1.5		1730	145T	2.1	1.7	86.5	87	85.5	0.76	0.67	0.54	300	20	16	375	M
PX6N1.5		1170	182T	2.5	2	87.5	87	83.5	0.63	0.54	0.42	230	20	16	370	M
PX2N002	2	3465	145T	2.5	2	85.5	86	84.5	0.87	0.82	0.71	280	25	20	360	L
PX4N002		1715	145T	2.7	2.2	86.5	87	86	0.78	0.71	0.57	280	25	20	350	L
PX6N002		1170	184T	3	2.4	88.5	89	87	0.69	0.62	0.50	180	25	20	275	L
PX2N003	3	3490	182T	3.5	2.8	87.5	88.5	87	0.90	0.87	0.80	295	32	26	340	K
PX4N003		1760	182T	3.8	3.1	89.5	90	89.5	0.81	0.75	0.64	255	32	26	345	K
PX6N003		1170	213T	3.9	3.1	89.5	90	88	0.80	0.74	0.61	200	32	26	315	K
PX2N005	5	3450	184T	5.8	4.6	88.5	90	90	0.91	0.90	0.84	260	46	37	305	J
PX4N005		1745	184T	6.2	4.9	89.5	91	91	0.84	0.80	0.70	205	46	37	285	J
PX6N005		1170	215T	6.4	5.1	90.2	90.5	90	0.81	0.76	0.66	190	46	37	280	J
PX2N7.5	7.5	3500	213T	9	7.2	89.5	90	89.5	0.87	0.84	0.76	245	64	51	305	H
PX4N7.5		1750	213T	8.8	7	91.7	92	91	0.87	0.83	0.75	280	64	51	310	H
PX6N7.5		1170	254T	9.4	7.5	91	91.5	91	0.82	0.77	0.67	240	64	51	260	H
PX2N010	10	3490	215T	11.9	9.5	90.2	91	90.5	0.87	0.85	0.79	205	81	65	260	H
PX4N010		1745	215T	11.7	9.3	91.7	92	92	0.88	0.85	0.79	260	81	65	280	H
PX6N010		1175	256T	12.6	10.1	91	92	91	0.82	0.77	0.65	260	81	65	280	H
PX2N015	15	3525	254T	16.8	13.4	91	91.5	90.5	0.92	0.91	0.87	235	116	93	285	G
PX4N015		1765	254T	17.9	14.3	92.4	92.5	92	0.85	0.82	0.73	200	116	93	275	G
PX6N015		1175	284T	18.5	14.7	91.7	92	91.5	0.83	0.80	0.71	250	116	93	250	G
PX2N020	20	3520	256T	22.4	17.8	91	92	92	0.92	0.92	0.88	230	145	116	260	G
PX4N020		1765	256T	23.6	18.8	93	93	93	0.86	0.83	0.76	200	145	116	255	G
PX6N020		1170	286T	24.3	19.4	91.7	93	93	0.84	0.81	0.74	210	145	116	220	G
PX2N025	25	3545	284TS	27.7	22.2	91.7	93	92	0.92	0.91	0.87	210	183	146	250	G
PX4N025		1765	284T	29.4	23.5	93.6	94	93.5	0.85	0.83	0.77	200	183	146	220	G
PX6N025		1170	324T	30.3	24.2	93	93	93	0.83	0.81	0.73	210	183	146	225	G
PX2N030	30	3545	286TS	33	26.4	92.4	93	93	0.92	0.92	0.88	195	218	174	230	G
PX4N030		1765	286T	35.1	28	93.6	94	93.5	0.86	0.84	0.77	190	218	174	230	G
PX6N030		1175	326T	36.4	29.1	93	94	93.5	0.83	0.80	0.73	220	218	174	240	G
PX2N040	40	3550	324TS	44.3	35.4	93	93.5	93	0.91	0.91	0.88	175	290	232	240	G
PX4N040		1770	324T	46.6	37.2	94.1	94	94	0.86	0.84	0.79	225	290	232	215	G
PX6N040		1180	364T	46.3	37	94.1	94	93	0.86	0.84	0.76	220	290	232	220	G
PX2N050	50	3550	326TS	55	43.9	93.6	94	94	0.91	0.91	0.89	185	363	290	240	G
PX4N050		1770	326T	57.9	46.3	94.5	95	95	0.86	0.85	0.79	240	363	290	210	G
PX6N050		1180	365T	59.6	47.6	94.1	94	93	0.84	0.80	0.70	235	363	290	235	G
PX2N060	60	3550	364TS	64.5	51.6	93.6	94	94	0.93	0.92	0.90	145	435	348	290	G
PX4N060		1775	364T	67.2	53.7	95	95.5	95	0.88	0.86	0.81	200	435	348	245	G
PX6N060		1175	404T	69.1	55.3	94.5	95	95	0.86	0.83	0.76	220	435	348	240	G
PX2N075	75	3555	365TS	80.7	64.5	93.6	94	93.5	0.93	0.93	0.91	145	543	434	295	G
PX4N075		1775	365T	83.6	66.9	95.4	95.5	95.5	0.88	0.86	0.80	215	543	434	250	G
PX6N075		1175	405T	85.9	68.7	94.5	95	95	0.87	0.85	0.79	185	543	434	220	G
PX2N100	100	3560	405TS	108	86.1	94.5	95	95	0.92	0.92	0.89	155	725	580	275	G
PX4N100		1775	405T	109	87.2	95.4	95.5	95.5	0.90	0.89	0.84	200	725	580	240	G
PX6N100		1180	444T	118	94.4	95	94.5	93.6	0.83	0.81	0.74	130	725	580	210	G
PX2N125	125	3566	444TS	137	109	95	94.5	93.6	0.90	0.84	0.81	100	907	726	210	G
PX4N125		1780	444T	139	111	95.4	95	94.1	0.89	0.83	0.76	120	907	726	210	G
PX6N125		1181	445T	147	184	95	94.5	93.6	0.84	0.82	0.75	130	907	726	210	G
PX2N150	150	3570	445TS	164	131.4	95	94.5	93.6	0.90	0.85	0.82	100	1085	868	210	G
PX4N150		1783	445T	165	131.7	95.8	95.4	94.5	0.89	0.83	0.79	120	1085	868	210	G

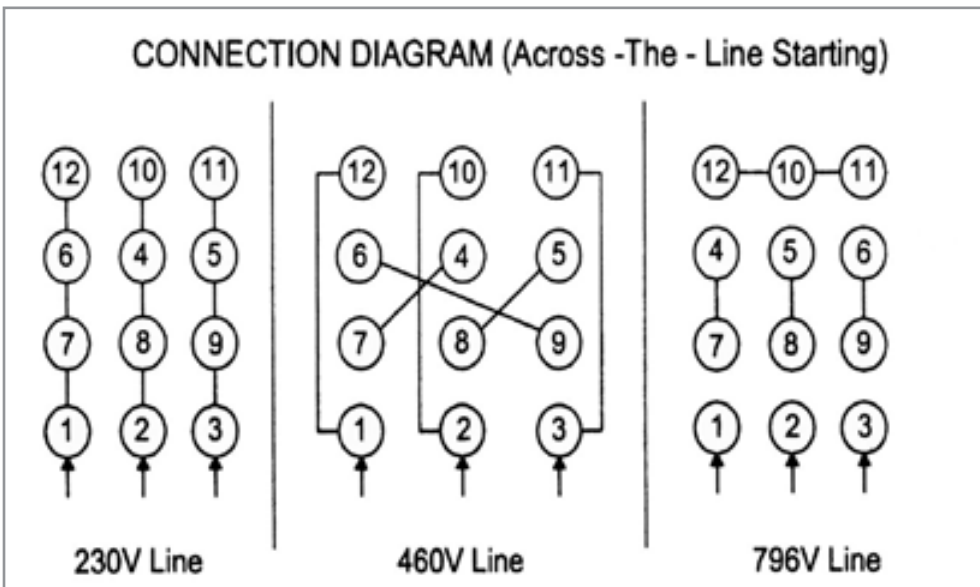
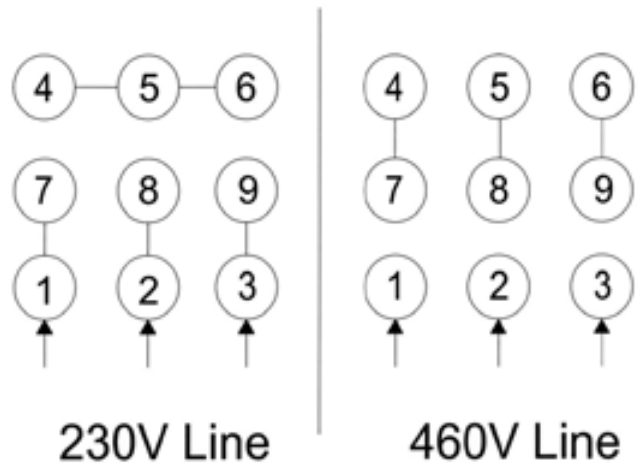
**IEC - EEx nA Zone 2
Performance Data**



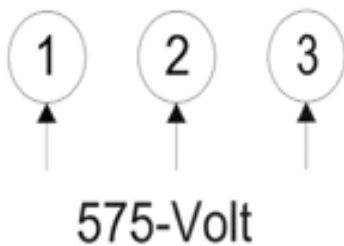
HP	KW	Frame	RPM	F.L Amps	Efficiency			Power Factor			LRT %	L.R. Amps	BDT %
				400V	FL	0.75	0.5	FL	0.75	0.5		400V	
1	0.75	80ME	2850	1.6	77.4	76.9	75.2	0.84	0.78	0.66	300	11.7	270
		80MG	1410	1.9	79.6	78.8	77.4	0.72	0.62	0.49	380	12.9	380
		90SG	920	2.2	75.9	73.8	70.1	0.65	0.54	0.44	290	10.6	300
1.5	1.1	80MJ	2875	2.3	79.6	80.7	78.6	0.84	0.77	0.65	280	15.8	270
		90SE	1410	2.5	81.4	81.5	82	0.77	0.78	0.58	230	13	290
		90LT	940	3	78.1	75.6	73.1	0.67	0.57	0.42	300	14.4	300
2	1.5	90SF	2850	3	81.3	82.3	82.6	0.9	0.84	0.76	280	21.1	310
		90LK	1435	3.7	82.8	83	81	0.7	0.58	0.46	420	27.4	470
		100LR	930	3.8	79.8	76.8	74.6	0.71	0.68	0.51	220	22	240
3	2.2	90LM	2860	4.6	83.2	85.4	84.1	0.82	0.72	0.58	250	33.6	300
		100LJ	1435	5.1	84.3	83.6	81.4	0.74	0.66	0.53	310	33.7	310
		112MS	950	5.5	81.8	77.6	73.9	0.7	0.56	0.45	250	35.8	290
4	3	100LJ	2880	5.9	84.6	82.7	75.2	0.88	0.74	0.54	310	47.8	310
		100LR	1440	6.8	85.5	83.5	82.6	0.74	0.63	0.5	390	57.8	400
		132SG	965	6.9	83.3	84.8	83.2	0.75	0.67	0.54	210	46.2	260
5.5	4	112MM	2870	7.3	85.8	89.2	87.4	0.91	0.88	0.81	300	56.9	310
		112MS	1445	8.7	86.6	86.6	85.9	0.77	0.69	0.55	300	64.4	310
		132ML	960	9.3	84.6	84.8	82.5	0.74	0.66	0.54	220	54.9	250
7.5	5.5	132SE	2910	10.2	87	88.8	87.9	0.89	0.83	0.7	270	83.6	310
		132SJ	1445	11.1	87.7	88	87.2	0.82	0.74	0.63	240	78.8	300
		132MM	960	12.3	86	85.2	83.5	0.75	0.68	0.55	210	68.9	240
10	7.5	132SJ	2900	13.5	88.1	88.4	88.5	0.91	0.88	0.82	250	110.7	300
		132MR	1450	14.7	88.7	89.4	88.6	0.83	0.76	0.67	290	119.1	320
		160MM	975	16.6	87.2	88.1	86.2	0.75	0.67	0.56	180	107.9	280
15	11	160MB	2935	20	89.4	89.7	88.5	0.89	0.84	0.76	220	156	300
		160MJ	1460	21	89.8	91	90.4	0.83	0.78	0.67	250	161.7	290
		160LV	975	24	88.7	90	88.5	0.75	0.67	0.57	200	180	280
20	15	160MJ	2935	26.6	90.3	89.8	88.8	0.8	0.86	0.79	220	212.8	310
		160LR	1470	28	90.6	91.8	91.6	0.85	0.81	0.71	250	215.6	290
		180LM	975	30.5	89.7	90.8	89.6	0.78	0.74	0.63	240	198.3	280
25	18.5	160LR	2940	32	90.9	90.6	89.8	0.9	0.86	0.8	240	278	320
		180M	1470	34	91.2	91.8	90.7	0.84	0.77	0.66	280	286	320
		200LGX	975	37	90.4	90.8	90	0.81	0.76	0.65	230	259	200
30	22	180ME	2950	37	91.3	91.5	90.4	0.89	0.86	0.76	220	333	310
		180LJ	1470	41	91.6	92.1	91.6	0.86	0.83	0.71	250	308	290
		200LNX	975	43	90.9	91.1	90.5	0.83	0.78	0.68	230	301	200
40	30	200LGX	2940	52	92	90	88.4	0.89	0.86	0.79	270	406	290
		200LNX	1470	54	92.3	93.1	92.6	0.86	0.83	0.74	230	405	320
		225MN	980	58	91.7	92.8	92	0.8	0.73	0.63	270	348	210
50	37	200LNX	2940	64	92.5	93.1	92.6	0.88	0.8	0.76	270	499	290
		225SN	1470	66	92.7	93.2	92.5	0.87	0.83	0.74	230	482	320
		250SN	980	70	92.2	93.3	92.6	0.81	0.86	0.66	270	420	210
60	45	225MN	2955	77	92.9	93.3	92.6	0.9	0.89	0.84	230	601	280
		225MN	1470	80	93.1	93.1	93.1	0.86	0.86	0.79	270	616	320
		250MN	985	84	92.7	93.4	92.8	0.81	0.82	0.8	250	504	200
75	55	250SN	2955	94	93.2	94.6	93.7	0.91	0.9	0.86	230	733	280
		250SN	1475	98	93.5	92.8	92.2	0.87	0.81	0.76	270	755	320
		280SN	985	102	93.1	94.1	93.8	0.83	0.8	0.74	250	622	200
100	75	250MN	2960	127	93.8	95.1	94.3	0.9	0.91	0.9	220	991	300
		250MN	1475	131	94	95.2	94.4	0.85	0.82	0.74	240	969	270
		280MN	985	137	93.7	94.4	93.3	0.83	0.79	0.7	300	959	260
125	90	280SN	2960	152	94.1	95.2	94.7	0.91	0.89	0.83	220	1186	300
		280SN	1475	157	94.2	95.2	94.6	0.85	0.82	0.73	250	1162	280
		315SN	985	164	94	94.3	93.4	0.84	0.8	0.72	300	1148	260
150	110	280MN	2980	184	94.3	94.8	93.7	0.91	0.9	0.85	220	1435	290
		280MN	1480	191	94.5	95.3	94.6	0.87	0.84	0.77	240	1471	260
		315MN	985	197	94.3	94.7	93.8	0.85	0.81	0.73	280	1320	200
200	150	315MN	2980	247	94.7	95.4	94.5	0.91	0.88	0.83	200	1927	275
		315MN	1485	257	94.9	95.7	94.8	0.89	0.87	0.81	240	2005	270
		355SG	985	267	94.7	95.4	94.5	0.84	0.83	0.76	170	1789	210

HP	KW	Frame	RPM	415V	Efficiency			Power Factor			LRT %	LRC 415V	BDT %
					FL	0.75	0.5	FL	0.75	0.5			
1	0.75	EF90SZ	1430	1.9	75	74	70	0.75	0.67	0.55	190	10.1	230
		EF90SZ	920	2.4	65	64	59	0.67	0.57	0.44	170	8.4	210
1.5	1.1	EF90SZ	2900	2.3	78	76	72	0.85	0.80	0.71	310	17.3	330
		EF90SZ	1420	2.7	77	77	76	0.73	0.63	0.51	200	13.5	230
		EF90LZ	920	3.2	70	70	68	0.68	0.59	0.48	170	11.2	210
2	1.5	EF90SZ	2880	3.1	79	78.5	74.5	0.86	0.80	0.70	300	22	330
		EF90SZ	1420	3.5	79	79	75.5	0.76	0.68	0.55	190	19.3	230
		EF100LZ	940	4.2	76	76	73	0.66	0.58	0.46	190	18.9	220
3	2.2	EF90LZ	2870	4.3	81	81	77	0.87	0.83	0.74	300	32	330
		EF100LA	1420	4.8	81	81	78.5	0.78	0.70	0.56	190	28	270
		EF112MZ	940	5.8	77	78	77	0.68	0.60	0.49	190	26	220
4	3	EF100LZ	2880	5.5	84	83	81	0.90	0.86	0.77	340	41	400
		EF100LB	1420	6.7	83	83	81.5	0.75	0.67	0.52	270	44	300
		EF132SZ	950	6.6	82	81	78	0.77	0.70	0.55	230	40	230
5.5	4	EF112MZ	2890	7.2	85	85	83	0.91	0.87	0.78	240	54	300
		EF112MZ	1430	8.1	84.5	85	84	0.81	0.74	0.60	190	49	230
		EF132MA	950	9.1	83	83	81	0.74	0.67	0.55	190	50	300
7.5	5.5	EF132SA	2900	9.9	87	87	86	0.89	0.86	0.77	240	64	330
		EF132SZ	1440	10.7	86	86	85	0.83	0.78	0.66	190	73	230
		EF132MB	950	12.3	85	85	84	0.73	0.65	0.52	220	70	270
10	7.5	EF132SB	2890	13.5	88	89	88	0.88	0.87	0.81	220	92	330
		EF132MZ	1450	14.3	87	87	85	0.84	0.79	0.64	220	100	260
		EF160MZ	970	16.0	87	86	84	0.75	0.68	0.56	220	112	250
15	11	EF160MA	2940	19.8	89	89	88	0.87	0.82	0.75	250	139	300
		EF160MZ	1460	19.8	90	90	88	0.86	0.81	0.70	220	149	270
		EF160LZ	970	23.1	87	87	85	0.76	0.69	0.55	230	162	260
20	15	EF160MB	2920	26.1	90	91	90	0.89	0.88	0.84	210	162	270
		EF160LZ	1460	25.8	90	90	89	0.90	0.88	0.80	220	194	270
		EF180LZ	970	29.1	87.5	88	86	0.82	0.80	0.70	210	189	300
25	18.5	EF160LZ	2940	32	91.5	92	91	0.89	0.85	0.80	250	218	300
		EF180MZ	1460	32	91	91	89.5	0.88	0.85	0.80	240	224	310
		EF200LN	975	35	91	91	90	0.80	0.76	0.67	260	210	210
30	22	EF180MZ	2930	36	91.5	91	89	0.92	0.91	0.88	240	270	270
		EF180LZ	1460	40	91	91	89.5	0.85	0.81	0.77	250	280	320
		EF200LN	975	42	91.5	92	90.5	0.80	0.76	0.67	260	252	210
40	30	EF200LN	2935	50	92.9	93	92	0.89	0.86	0.80	240	375	290
		EF200LN	1470	51	93.2	93	92.3	0.87	0.85	0.77	230	372	320
		EF225MN	980	56	92.7	92.7	91.7	0.80	0.76	0.67	220	364	240
50	37	EF200LN	2935	62	93.3	93.3	92	0.89	0.86	0.80	240	465	290
		EF225SN	1470	64	93.6	93.6	92.5	0.87	0.85	0.77	230	467	320
		EF250SN	980	67	93.2	93.2	92	0.82	0.78	0.69	220	436	240
60	45	EF225MN	2955	74	93.9	93.7	92.5	0.90	0.88	0.83	230	577	280
		EF225MN	1475	77	94.2	94.2	93	0.86	0.84	0.75	270	593	320
		EF250MN	985	81	93.4	93.3	92.3	0.83	0.79	0.71	250	486	200
75	55	EF250SN	2955	90	94.4	94.2	93	0.90	0.88	0.83	230	702	280
		EF250SN	1475	94	94.6	94.6	93.5	0.86	0.84	0.75	270	724	320
		EF280SN	985	98	93.8	93.6	92.6	0.83	0.79	0.71	250	598	200
100	75	EF250MN	2960	122	95.2	94.9	93.4	0.90	0.88	0.83	220	952	300
		EF250MN	1475	126	94.9	94.8	93.5	0.87	0.85	0.75	240	932	270
		EF280MN	985	132	94.3	94.1	93	0.84	0.81	0.72	300	924	260
125	90	EF280SN	2960	146	95.3	95	93.5	0.90	0.88	0.83	220	1139	300
		EF280SN	1475	151	95.2	95.1	93.8	0.87	0.85	0.75	250	1117	280
		EF315SN	985	158	94.5	94.3	93.4	0.84	0.80	0.72	300	1106	260
150	110	EF280MN	2978	177	95.8	95.4	94	0.90	0.88	0.83	220	1381	290
		EF280MN	1480	184	95.6	95.5	94	0.87	0.85	0.77	240	1417	260
		EF315MN	985	190	94.8	94.7	93.8	0.85	0.81	0.73	280	1273	200
200	150	EF315MN	2980	238	96.2	95.8	94.3	0.91	0.89	0.85	200	1856	275
		EF315MN	1485	247	95.9	95.7	94.7	0.88	0.86	0.78	240	1927	270

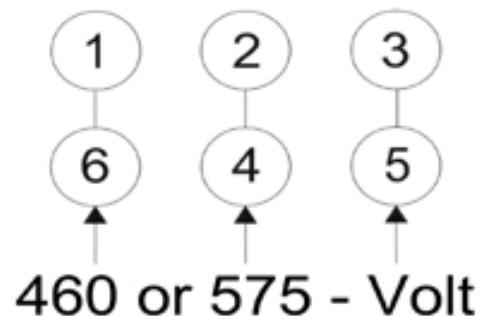
CONNECTION DIAGRAM
(Across-The-Line Starting)



CONNECTION DIAGRAM
(Across-The-Line Starting)

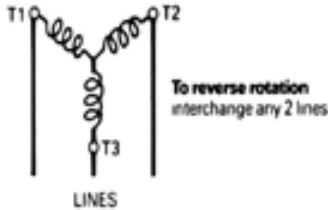


CONNECTION DIAGRAM
(Across-The-Line Starting)

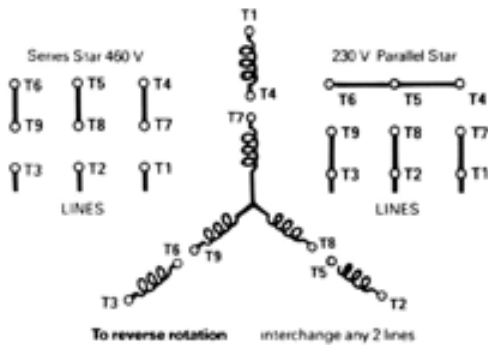


A POLYPHASE SINGLE VOLTAGE ACROSS-THE-LINE STARTING

STATOR WINDING
3 wres out

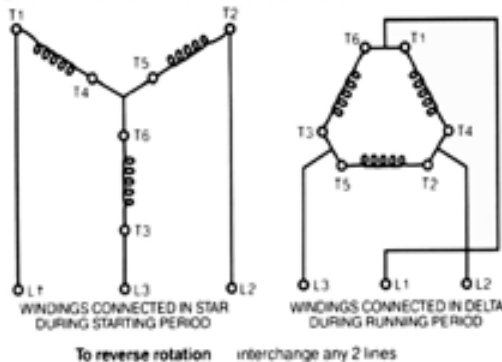


B POLYPHASE DUAL VOLTAGE - Series Parallel Star for motors up to and including 20 h.p



208 volts - connect as for 230 volt
416 volts - connect as for 460 volt
This applies to diagrams B and C

D SINGLE VOLTAGE STAR DELTA STARTING



C POLYPHASE DUAL VOLTAGE - Series Parallel Delta for motors above 20 h.p. T2 leads out to 9 terminals.



To reverse rotation . . . interchange any 2 lines

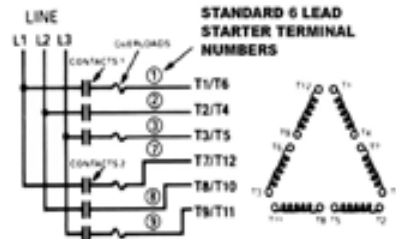
For Across-the-Line starting connect as below -

Voltage	Line Connections			Link together
	L1	L2	L3	
460	T1	T2	T3	T4-T7, T5-T8, T6-T9
230	T1	T2	T3	T1-T6-T7, T2-T4-T8 T3-T5-T9

For Wye Delta starting, remove leads T10, T11 and T12 from terminals T2, T3 and T1 respectively and connect as below -

Voltage	Connect to Starter	Link together
460	T1, T2, T3, T10, T11, T12	T4-T7, T5-T8, T6-T9
230	T1, T2, T3, T10, T11, T12	T1-T7, T2-T8, T3-T9 T10-T4, T11-T5, T12-T6

For Part-Winding starting (on 230 V. only) remove leads T10, T11 and T12 from T2, T3 and T1 respectively and connect as below -
NOTE - The current rating of the overload heaters should be half the motor F.L.C. for part-winding starting

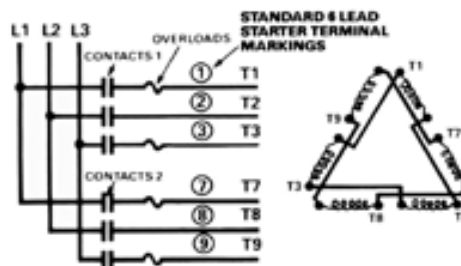


Contacts 1 are closed first, followed shortly by contacts 2

E POLYPHASE

Part Winding Start Motor with 6 leads from Stator Winding

NOTE - The current rating of the overload heaters should be half the motor F.L.C. for part-winding starting (Full Load Current)



Contacts 1 are closed first, followed shortly by contacts 2.

For Auto-Transformer or Across-the-Line starting connects

- L1 - (T1, T7)
- L2 - (T2, T8)
- L3 - (T3, T9)

AUXILIARIES (WHEN FITTED) ARE MARKED AS SHOWN BELOW

H
HEATER
CONNECT TO SINGLE PHASE SUPPLY
ON CERTIFIED HAZARDOUS AREA MOTORS, HEATERS (IF FITTED) MUST BE INTERLOCKED TO PREVENT OPERATION WHEN WINDINGS ARE ENERGIZED

P
THERMISTORS
CONNECT TO THERMISTOR CONTROL LINE

PE
THERMISTORS
CONNECT TO THERMISTOR CONTROL LINE

PB
THERMOSTAT
CONNECT TO OVERLOAD PROTECTION CIRCUIT
IT IS MANDATORY ON CERTIFIED HAZARDOUS AREA MOTORS TO CONNECT THERMISTORS OR THERMOSTATS INTO MOTOR CONTROL CIRCUIT

MAGNETIC BRAKES
ARE MARKED BY A B FOR SINGLE PHASE BRAKES AND BY B1, B2 & B3 FOR THREE PHASE BRAKES. BRAKE LEADS CONNECT AS DIAGRAM UNLESS BRAKE IS EXCITED FROM SEPARATE SUPPLY

Shipping Weights & Dimensions



EExD Explosion Proof	
Frame	EST WT. (lbs)
90S	66
90L	75
100L	101
112M	128
132S	176
132M	212
160M	317
160L	357
180M	458
180L	492
200L	750
225S	816
225M	981
250S	1089
250M	1530
280S	1664
280M	1962
315S	2535
315M	2976
315L	3417

NEMA Explosion Proof	
NEMA Frame	EST WT. (lbs)
143	62
145	70
182	108
184	120
213	187
215	211
254	330
256	376
284	488
286	530
324	708
326	781
364	946
365	1019
405	1408
444	1650
445	1720
447	2202
449	2794

W Premium Efficiency			
		BC Cast Iron	BA Aluminum
NEMA Frame	METRIC Frame	EST WT. (lbs)	EST WT. (lbs)
	63		10
	71		14
56	80M	38	21
143T	90S	56	38
145T	90L	67	54
	100L	70	60
182T		104	69
184T	112M	123	73
213T	132S	173	123
215T	132M	195	130
254T	160M	293	196
256T	160L	333	238
284T	180M	395	276
286T	180L	408	323
324T	200M	650	
326T	200L	765	
364T	225S	914	
365T	225M	1050	
404T	250S	1384	
405T	250M	1384	
444T	280S	1512	
445T	280M	1896	
447T		2300	
504	315S	2354	
505	315M	2533	
585	355S	4400	
586	355M	5080	
587	355L	5500	

PE III SERIES			
		PC CAST IRON	PA ALUMINUM
NEMA Frame	METRIC Frame	EST WT. (lbs)	EST WT. (lbs)
	63		10
	71		11
	80	51	26
143T	90S	55	31
145T	90L	60	36
	100L	90	50
182T		106	60
184T	112M	114	66
213T	132S	170	110
215T	132M	194	129
254T	160M	309	
256T	160L	346	
284T	180M	441	
286T	180L	443	
324T	200M	631	
326T	200L	654	
364T	225S	886	
365T	225M	958	
404T	250S	1025	
405T	250M	1092	
444T	280S	1858	
445T	280M	1947	
447T		2128	

W - Shipping Dimensions		
NEMA Frame	METRIC Frame	Approx. Dimensions
		W x L x H (Inches)
	63*	12 x 16 x 12
	71*	12 x 16 x 12
56*	80*	12 x 16 x 12
143T*	90S*	12 x 18 x 12
145T*	90L*	12 x 18 x 12
	100L*	18 x 20 x 15
182T*		18 x 20 x 15
184T*	112M*	18 x 20 x 15
213T	132S	18 x 24 x 17
215T	132M	18 x 24 x 17
254T	160M	20 x 29 x 19
256T	160L	20 x 29 x 19

W - Shipping Dimensions		
NEMA Frame	METRIC Frame	Approx. Dimensions
		W x L x H (Inches)
284T	180M	22 x 32 x 22
286T	180L	22 x 32 x 22
324T	200M	29 x 42 x 26
326T	200L	29 x 42 x 26
364T	225S	29 x 42 x 26
365T	225M	29 x 42 x 26
404T	250S	32 x 51 x 30
405T	250M	32 x 51 x 30
444T	280S	32 x 51 x 30
445T	280M	32 x 51 x 30
447T		40 x 56 x 33

NOTE: SHIPPING WEIGHTS SHOWN ARE ESTIMATED AND BASED ON STANDARD FOOT MOUNTED MOTOR DESIGNS

NOTE: * 184T FRAME AND BELOW SHIP IN A BOX WITH DIMENSIONS AS SHOWN ABOVE. MULTIPLE MOTORS MAY SHIP ON A SKID

Definition IP (Ingress Protection) IEC Metric Motors



Protection Against Solid Objects			Protection Against Liquids		
#	Brief Description*	Definitions	#	Brief Description*	Definitions
0	Non-protected machines	No special protection	0	Non-protected machines	No special protection
1	Machine protected against solid objects greater than 50 mm**	Accidental or inadvertent contact with or approach to live and moving parts inside the enclosure by a large surface of the human body, such as a hand (but no protection against deliberate access). Ingress of solid objects exceeding 50 mm in diameter	1	Machine protected against dripping water	Dripping water (vertically falling drops) shall have no harmful effect.
2	Machine protected against solid objects greater than 12 mm**	Contact by fingers or similar objects not exceeding 80 mm in length with or approach to live or moving parts inside the enclosure. Ingress of solid objects exceeding 12 mm in diameter.	2	Machine protected against dripping water when tilted up to 15°	Vertically dripping water shall have no harmful effect when the machine is tilted in any angle up to 15° from its normal position
3	Machine protected against solid objects greater than 2.5 mm**	Contact with or approach to live or moving parts inside the enclosure by tools or wires exceeding 2.5 mm in diameter. Ingress of solid objects exceeding 1 mm in diameter.	3	Machine protected against spraying water	Vertically dripping water shall have no harmful effect when the machine is tilted in any angle up to 15° from its normal position
4	Machine protected against solid objects greater than 1mm**	Contact with or approach to live or moving parts inside the enclosure by wires or strips of thickness greater than 1 mm in diameter.	4	Machine protected against splashing water	Water falling as a spray at any angle up to 60° from the vertical shall have no harmful effect
5	Dust-protected machine†	Contact with or approach to live or moving parts inside the enclosure. Ingress of dust is not totally prevented but dust does not enter insufficient quantity to interfere with satisfactory operation of the machine.	5	Machine protected against water jets	Water projected by a nozzle against the machine from any direction shall have no harmful effect.
6	Dust-tight machine†	Contact with or approach to live or moving parts inside the enclosure. No ingress of dust	6	Machine protected against heavy seas	Water from heavy seas or water projected in powerful jets shall not enter the machine in harmful quantities.

* The brief description given in column 2 on this table should not be used to specify the form of protection.

** Machines assigned a first characteristic number 1,2,3 or 4 will exclude both regularly or irregularly shaped solid objects provided that three normally per pendicular dimensions of the object exceed the appropriate figure in column "Definition".

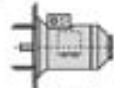
† The degree of protection against dust defined by this standard is a general one. When the nature (dimensions of particles, their nature, for instance fibrous particles) is specified, test conditions should be determined by an agreement between manufacturer and user.

IEC Mounting Codes

Horizontal shaft:



IM B3
IM 1001
foot mounted



IM B5
IM 3001
flange at DE
no feet



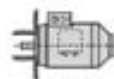
IM B6
IM 1061
foot wall mounted with
feet on left-hand side
when viewed from DE



IM B7
IM 1061
foot wall mounted with
feet on right-hand side
when viewed from DE

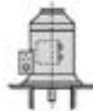


IM B8
IM 1071
ceiling mounted
with feet
above motor



IM B14
IM 3601
face at DE
no feet

Vertical shaft:



IM V1
IM 3011
flange at DE
shaft down
no feet



IM V3
IM 3031
flange at DE
shaft up
no feet



IM V5
IM 1011
vertical foot
wall mounted
shaft down



IM V6
IM 1031
vertical foot
wall mounted
shaft up



IM V18
IM 3611
face at DE
shaft down
no feet



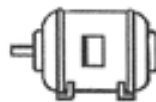
IM V19
IM 3631
face at DE
shaft up
no feet

NEMA Mounting Codes

FLOOR MOUNTINGS



ASSEMBLY F-1



ASSEMBLY F-2

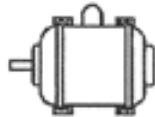


ASSEMBLY F-3

WALL MOUNTINGS



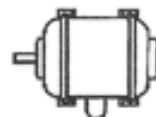
ASSEMBLY W-1



ASSEMBLY W-2



ASSEMBLY W-3



ASSEMBLY W-4



ASSEMBLY W-5



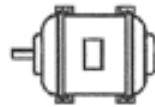
ASSEMBLY W-6



ASSEMBLY W-7



ASSEMBLY W-8



ASSEMBLY W-9



ASSEMBLY W-10



ASSEMBLY W-11



ASSEMBLY W-12

CEILING MOUNTINGS



ASSEMBLY C-1



ASSEMBLY C-2



ASSEMBLY C-3

Part Number	Page	Part Number	Page	Part Number	Page	Part Number	Page
258E100C-00	26	258E208C-00	26	258E311C-02	28	287E205WC-04	36
258E100C-02	28	258E208C-02	28	258E311C-04	28	287E206WC-00	34
258E100C-04	28	258E208C-04	28	258E312C-00	26	287E206WC-02	36
258E106C-00	26	258E209C-00	26	258E312C-02	28	287E206WC-04	36
258E106C-02	28	258E209C-02	28	258E312C-04	28	287E207WC-00	34
258E106C-04	28	258E209C-04	28	258E313C-00	26	287E207WC-02	36
258E107C-00	26	258E210C-00	26	258E313C-04	28	287E207WC-04	36
258E107C-02	28	258E210C-02	28	287E100WC-00	34	287E208WC-00	34
258E107C-04	28	258E210C-04	28	287E100WC-02	36	287E208WC-02	36
258E108C-00	26	258E211C-00	26	287E100WC-04	36	287E208WC-04	36
258E108C-02	28	258E211C-02	28	287E106WC-00	34	287E209WC-00	34
258E108C-04	28	258E211C-04	28	287E106WC-02	36	287E209WC-02	36
258E109C-00	26	258E212C-00	26	287E106WC-04	36	287E209WC-04	36
258E109C-02	28	258E212C-02	28	287E107WC-00	34	287E210WC-00	34
258E109C-04	28	258E212C-04	28	287E107WC-02	36	287E210WC-02	36
258E110C-00	26	258E213C-00	26	287E107WC-04	36	287E210WC-04	36
258E110C-02	28	258E213C-02	28	287E108WC-00	34	287E211WC-00	34
258E110C-04	28	258E213C-04	28	287E108WC-02	36	287E211WC-02	36
258E111C-00	26	258E214C-00	26	287E108WC-04	36	287E211WC-04	36
258E111C-02	28	258E214C-04	28	287E109WC-00	34	287E212WC-00	34
258E111C-04	28	258E215C-00	26	287E109WC-02	36	287E212WC-02	36
258E112C-00	26	258E215C-04	28	287E109WC-04	36	287E212WC-04	36
258E112C-02	28	258E300C-00	26	287E110WC-00	34	287E213WC-00	34
258E112C-04	28	258E300C-02	28	287E110WC-02	36	287E213WC-02	36
258E113C-00	26	258E300C-04	28	287E110WC-04	36	287E213WC-04	36
258E113C-02	28	258E305C-00	26	287E111WC-00	34	287E214WC-00	34
258E113C-04	28	258E305C-02	28	287E111WC-02	36	287E214WC-04	36
258E114C-00	26	258E305C-04	28	287E111WC-04	36	287E215WC-00	34
258E114C-02	28	258E306C-00	26	287E112WC-00	34	287E215WC-04	36
258E114C-04	28	258E306C-02	28	287E112WC-02	36	287E300WC-00	34
258E115C-00	26	258E306C-04	28	287E112WC-04	36	287E300WC-02	36
258E115C-04	28	258E307C-00	26	287E113WC-00	34	287E300WC-04	36
258E200C-00	26	258E307C-02	28	287E113WC-02	36	287E305WC-00	34
258E200C-02	28	258E307C-04	28	287E113WC-04	36	287E305WC-02	36
258E200C-04	28	258E308C-00	26	287E114WC-00	34	287E305WC-04	36
258E205C-00	26	258E308C-02	28	287E114WC-02	36	287E306WC-00	34
258E205C-02	28	258E308C-04	28	287E114WC-04	36	287E306WC-02	36
258E205C-04	28	258E309C-00	26	287E115WC-00	34	287E306WC-04	36
258E206C-00	26	258E309C-02	28	287E115WC-04	36	287E307WC-00	34
258E206C-02	28	258E309C-04	28	287E200WC-00	34	287E307WC-02	36
258E206C-04	28	258E310C-00	26	287E200WC-02	36	287E307WC-04	36
258E207C-00	26	258E310C-02	28	287E200WC-04	36	287E308WC-00	34
258E207C-02	28	258E310C-04	28	287E205WC-00	34	287E308WC-02	36
258E207C-04	28	258E311C-00	26	287E205WC-02	36	287E308WC-04	36

Part Number	Page	Part Number	Page	Part Number	Page	Part Number	Page
287E309WC-00	34	358E223WC-00	27	367E220WC-00	35	AC2M020-E	30
287E309WC-02	36	358E223WC-04	29	367E220WC-04	37	AC2M020-EC	32
287E309WC-04	36	358E314WC-00	26	367E221WC-00	35	AC2M020-ED	32
287E310WC-00	34	358E314WC-04	28	367E221WC-04	37	AC2M025-E	30
287E310WC-02	36	358E315WC-00	26	367E222WC-00	35	AC2M025-EC	32
287E310WC-04	36	358E315WC-04	28	367E222WC-04	37	AC2M025-ED	32
287E311WC-00	34	358E316WC-00	26	367E223WC-00	35	AC2M030-E	30
287E311WC-02	36	358E316WC-04	28	367E223WC-04	37	AC2M030-ED	32
287E311WC-04	36	358E317WC-00	27	367E314WC-00	34	AC2M040-E	30
287E312WC-00	34	358E317WC-04	29	367E314WC-04	36	AC2M040-ED	32
287E312WC-02	36	358E318WC-00	27	367E315WC-00	34	AC2M050-E	31
287E312WC-04	36	358E318WC-04	29	367E315WC-04	36	AC2M050-ED	33
287E313WC-00	34	358E319WC-00	27	367E316WC-00	34	AC2M060-E	31
287E313WC-04	36	358E319WC-04	29	367E316WC-04	36	AC2M060-ED	33
358E116WC-00	26	358E320WC-00	27	367E317WC-00	35	AC2M075-E	31
358E116WC-04	28	358E320WC-04	29	367E317WC-04	37	AC2M075-ED	33
358E117WC-00	27	358E321WC-00	27	367E318WC-00	35	AC2M1.5-E	30
358E117WC-04	29	358E321WC-04	29	367E318WC-04	37	AC2M1.5-EC	32
358E118WC-00	27	358E322WC-00	27	367E319WC-00	35	AC2M1.5-ED	32
358E118WC-04	29	358E322WC-04	29	367E319WC-04	37	AC2M100-E	31
358E119WC-00	27	367E116WC-00	34	367E320WC-00	35	AC2M100-ED	33
358E119WC-04	29	367E116WC-04	36	367E320WC-04	37	AC2M125-E	31
358E120WC-00	27	367E117WC-00	35	367E321WC-00	35	AC2M125-ED	33
358E120WC-04	29	367E117WC-04	37	367E321WC-04	37	AC2M150-E	31
358E121WC-00	27	367E118WC-00	35	367E322WC-00	35	AC2M150-ED	33
358E121WC-04	29	367E118WC-04	37	367E322WC-04	37	AC2M200-E	31
358E122WC-00	27	367E119WC-00	35	AC2M002-E	30	AC2M200-ED	33
358E122WC-04	29	367E119WC-04	37	AC2M002-EC	32	AC2M7.5-E	30
358E123WC-00	27	367E120WC-00	35	AC2M002-ED	32	AC2M7.5-EC	32
358E123WC-04	29	367E120WC-04	37	AC2M003-E	30	AC2M7.5-ED	32
358E216WC-00	26	367E121WC-00	35	AC2M003-EC	32	AC4M001-E	30
358E216WC-04	28	367E121WC-04	37	AC2M003-ED	32	AC4M001-EC	32
358E217WC-00	27	367E122WC-00	35	AC2M004-E	30	AC4M001-ED	32
358E217WC-04	29	367E122WC-04	37	AC2M004-EC	32	AC4M002-E	30
358E218WC-00	27	367E123WC-00	35	AC2M004-ED	32	AC4M002-EC	32
358E218WC-04	29	367E123WC-04	37	AC2M005-E	30	AC4M002-ED	32
358E219WC-00	27	367E216WC-00	34	AC2M005-EC	32	AC4M003-E	30
358E219WC-04	29	367E216WC-04	36	AC2M005-ED	32	AC4M003-EC	32
358E220WC-00	27	367E217WC-00	35	AC2M010-E	30	AC4M003-ED	32
358E220WC-04	29	367E217WC-04	37	AC2M010-EC	32	AC4M004-E	30
358E221WC-00	27	367E218WC-00	35	AC2M010-ED	32	AC4M004-EC	32
358E221WC-04	29	367E218WC-04	37	AC2M015-E	30	AC4M004-ED	32
358E222WC-00	27	367E219WC-00	35	AC2M015-EC	32	AC4M005-E	30
358E222WC-04	29	367E219WC-04	37	AC2M015-ED	32	AC4M005-EC	32

Part Number	Page	Part Number	Page	Part Number	Page	Part Number	Page
AC4M005-ED	32	AC6M003-ED	32	BA2M.33-4	14	BA2M003-5CBRK	56
AC4M010-E	30	AC6M004-E	30	BA2M.33-4C	16	BA2M003-5D	16
AC4M010-EC	32	AC6M004-EC	32	BA2M.33-4D	16	BA2M004-4	15
AC4M010-ED	32	AC6M004-ED	32	BA2M.33-5C	16	BA2M004-4BRK	55
AC4M015-E	30	AC6M005-E	30	BA2M.33-5D	16	BA2M004-4C	17
AC4M015-EC	32	AC6M005-EC	32	BA2M.50-4	14	BA2M004-4CBRK	56
AC4M015-ED	32	AC6M005-ED	32	BA2M.50-4C	16	BA2M004-4D	17
AC4M020-E	30	AC6M010-E	30	BA2M.50-4D	16	BA2M004-5BRK	55
AC4M020-EC	32	AC6M010-EC	32	BA2M.50-5C	16	BA2M004-5C	17
AC4M020-ED	32	AC6M010-ED	32	BA2M.50-5D	16	BA2M004-5CBRK	56
AC4M025-E	30	AC6M015-E	30	BA2M.75-4	14	BA2M004-5D	17
AC4M025-ED	32	AC6M015-EC	32	BA2M.75-4BRK	55	BA2M010-4BRK	55
AC4M030-E	30	AC6M015-ED	32	BA2M.75-4C	16	BA2M010-4C	17
AC4M030-ED	32	AC6M020-E	30	BA2M.75-4CBRK	56	BA2M010-4CBRK	56
AC4M040-E	30	AC6M020-ED	32	BA2M.75-4D	16	BA2M010-4D	17
AC4M040-ED	32	AC6M025-E	30	BA2M.75-5BRK	55	BA2M010-5	15
AC4M050-E	31	AC6M025-ED	32	BA2M.75-5C	16	BA2M010-5BRK	55
AC4M050-ED	33	AC6M030-E	30	BA2M.75-5CBRK	56	BA2M010-5C	17
AC4M060-E	31	AC6M030-ED	32	BA2M.75-5D	16	BA2M010-5D	17
AC4M060-ED	33	AC6M040-E	30	BA2M001-4	14	BA2M015-4C	17
AC4M075-E	31	AC6M040-ED	32	BA2M001-4BRK	55	BA2M015-4D	17
AC4M075-ED	33	AC6M050-E	31	BA2M001-4C	16	BA2M015-5	15
AC4M1.5-E	30	AC6M050-ED	33	BA2M001-4CBRK	56	BA2M015-5C	17
AC4M1.5-EC	32	AC6M060-E	31	BA2M001-4D	16	BA2M015-5D	17
AC4M1.5-ED	32	AC6M060-ED	33	BA2M001-5BRK	55	BA2M020-4C	17
AC4M100-E	31	AC6M075-E	31	BA2M001-5C	16	BA2M020-4D	17
AC4M100-ED	33	AC6M075-ED	33	BA2M001-5CBRK	56	BA2M020-5	15
AC4M125-E	31	AC6M1.5-E	30	BA2M001-5D	16	BA2M020-5C	17
AC4M125-ED	33	AC6M1.5-EC	32	BA2M002-4	14	BA2M020-5D	17
AC4M150-E	31	AC6M1.5-ED	32	BA2M002-4BRK	55	BA2M025-4C	17
AC4M150-ED	33	AC6M100-E	31	BA2M002-4C	16	BA2M025-4D	17
AC4M200-E	31	AC6M100-ED	33	BA2M002-4CBRK	56	BA2M025-5	15
AC4M200-ED	33	AC6M125-E	31	BA2M002-4D	16	BA2M025-5C	17
AC4M7.5-E	30	AC6M125-ED	33	BA2M002-5BRK	55	BA2M025-5D	17
AC4M7.5-EC	32	AC6M150-E	31	BA2M002-5C	16	BA2M030-4D	17
AC4M7.5-ED	32	AC6M150-ED	33	BA2M002-5CBRK	56	BA2M030-5	15
AC6M001-E	30	AC6M7.5-E	30	BA2M002-5D	16	BA2M030-5D	17
AC6M001-EC	32	AC6M7.5-EC	32	BA2M003-4	14	BA2M1.5-4	14
AC6M001-ED	32	AC6M7.5-ED	32	BA2M003-4BRK	55	BA2M1.5-4BRK	55
AC6M002-E	30	BA2M.25-4	14	BA2M003-4C	16	BA2M1.5-4C	16
AC6M002-EC	32	BA2M.25-4C	16	BA2M003-4CBRK	56	BA2M1.5-4CBRK	56
AC6M002-ED	32	BA2M.25-4D	16	BA2M003-4D	16	BA2M1.5-4D	16
AC6M003-E	30	BA2M.25-5C	16	BA2M003-5BRK	55	BA2M1.5-5BRK	55
AC6M003-EC	32	BA2M.25-5D	16	BA2M003-5C	16	BA2M1.5-5C	16

Part Number	Page	Part Number	Page	Part Number	Page	Part Number	Page
BA2M1.5-5CBRK	56	BA2N003-5	5	BA2N020-4C	6	BA2N7.5-5	5
BA2M1.5-5D	16	BA2N003-5BRK	53	BA2N020-4D	7	BA2N7.5-5BRK	53
BA2M5.5-4	15	BA2N003-5C	6	BA2N020-5	5	BA2N7.5-5C	6
BA2M5.5-4BRK	55	BA2N003-5CBRK	54	BA2N020-5C	6	BA2N7.5-5CBRK	54
BA2M5.5-4C	17	BA2N003-5D	7	BA2N020-5D	7	BA2N7.5-5D	7
BA2M5.5-4CBRK	56	BA2N005-3	5	BA2N025-3	5	BA4M.25-4	14
BA2M5.5-4D	17	BA2N005-3C	6	BA2N025-3C	6	BA4M.25-4C	16
BA2M5.5-5	15	BA2N005-3D	7	BA2N025-3D	7	BA4M.25-4D	16
BA2M5.5-5BRK	55	BA2N005-4	5	BA2N025-4	5	BA4M.25-5C	16
BA2M5.5-5C	17	BA2N005-4BRK	53	BA2N025-4C	6	BA4M.25-5D	16
BA2M5.5-5CBRK	56	BA2N005-4C	6	BA2N025-4D	7	BA4M.33-4	14
BA2M5.5-5D	17	BA2N005-4CBRK	54	BA2N025-5	5	BA4M.33-4C	16
BA2M7.5-4	15	BA2N005-4D	7	BA2N025-5C	6	BA4M.33-4D	16
BA2M7.5-4BRK	55	BA2N005-5	5	BA2N025-5D	7	BA4M.33-5C	16
BA2M7.5-4C	17	BA2N005-5BRK	53	BA2N030-3	5	BA4M.33-5D	16
BA2M7.5-4CBRK	56	BA2N005-5C	6	BA2N030-3C	6	BA4M.50-4	14
BA2M7.5-4D	17	BA2N005-5CBRK	54	BA2N030-3D	7	BA4M.50-4BRK	55
BA2M7.5-5	15	BA2N005-5D	7	BA2N030-4	5	BA4M.50-4C	16
BA2M7.5-5BRK	55	BA2N010-3	5	BA2N030-4C	6	BA4M.50-4CBRK	56
BA2M7.5-5C	17	BA2N010-3C	6	BA2N030-4D	7	BA4M.50-4D	16
BA2M7.5-5CBRK	56	BA2N010-3D	7	BA2N030-5	5	BA4M.50-5BRK	55
BA2M7.5-5D	17	BA2N010-4	5	BA2N030-5C	6	BA4M.50-5C	16
BA2N002-3	5	BA2N010-4BRK	53	BA2N030-5D	7	BA4M.50-5CBRK	56
BA2N002-3C	6	BA2N010-4C	6	BA2N1.5-3	5	BA4M.50-5D	16
BA2N002-3D	7	BA2N010-4CBRK	54	BA2N1.5-3C	6	BA4M.75-4	14
BA2N002-4	5	BA2N010-4D	7	BA2N1.5-3D	7	BA4M.75-4BRK	55
BA2N002-4BRK	53	BA2N010-5	5	BA2N1.5-4	5	BA4M.75-4C	16
BA2N002-4C	6	BA2N010-5BRK	53	BA2N1.5-4BRK	53	BA4M.75-4CBRK	56
BA2N002-4CBRK	54	BA2N010-5C	6	BA2N1.5-4C	6	BA4M.75-4D	16
BA2N002-4D	7	BA2N010-5CBRK	54	BA2N1.5-4CBRK	54	BA4M.75-5BRK	55
BA2N002-5	5	BA2N010-5D	7	BA2N1.5-4D	7	BA4M.75-5C	16
BA2N002-5BRK	53	BA2N015-3	5	BA2N1.5-5	5	BA4M.75-5CBRK	56
BA2N002-5C	6	BA2N015-3C	6	BA2N1.5-5BRK	53	BA4M.75-5D	16
BA2N002-5CBRK	54	BA2N015-3D	7	BA2N1.5-5C	6	BA4M001-4	14
BA2N002-5D	7	BA2N015-4	5	BA2N1.5-5CBRK	54	BA4M001-4BRK	55
BA2N003-3	5	BA2N015-4C	6	BA2N1.5-5D	7	BA4M001-4C	16
BA2N003-3C	6	BA2N015-4D	7	BA2N7.5-3	5	BA4M001-4CBRK	56
BA2N003-3D	7	BA2N015-5	5	BA2N7.5-3C	6	BA4M001-4D	16
BA2N003-4	5	BA2N015-5C	6	BA2N7.5-3D	7	BA4M001-5BRK	55
BA2N003-4BRK	53	BA2N015-5D	7	BA2N7.5-4	5	BA4M001-5C	16
BA2N003-4C	6	BA2N020-3	5	BA2N7.5-4BRK	53	BA4M001-5CBRK	56
BA2N003-4CBRK	54	BA2N020-3C	6	BA2N7.5-4C	6	BA4M001-5D	16
BA2N003-4D	7	BA2N020-3D	7	BA2N7.5-4CBRK	54	BA4M002-4	14
		BA2N020-4	5	BA2N7.5-4D	7	BA4M002-4BRK	55

Part Number	Page	Part Number	Page	Part Number	Page	Part Number	Page
BA4M002-4C	16	BA4M025-5	15	BA4N001-5BRK	53	BA4N010-3C	6
BA4M002-4CBRK	56	BA4M025-5D	17	BA4N001-5C	6	BA4N010-3D	7
BA4M002-4D	16	BA4M030-4D	17	BA4N001-5CBRK	54	BA4N010-4	5
BA4M002-5BRK	55	BA4M030-5	15	BA4N001-5D	7	BA4N010-4BRK	53
BA4M002-5C	16	BA4M030-5D	17	BA4N002-3	5	BA4N010-4C	6
BA4M002-5CBRK	56	BA4M1.5-4	14	BA4N002-3C	6	BA4N010-4CBRK	54
BA4M002-5D	16	BA4M1.5-4BRK	55	BA4N002-3D	7	BA4N010-4D	7
BA4M003-4	14	BA4M1.5-4C	16	BA4N002-4	5	BA4N010-5	5
BA4M003-4BRK	55	BA4M1.5-4CBRK	56	BA4N002-4BRK	53	BA4N010-5BRK	53
BA4M003-4C	16	BA4M1.5-4D	16	BA4N002-4C	6	BA4N010-5C	6
BA4M003-4CBRK	56	BA4M1.5-5BRK	55	BA4N002-4CBRK	54	BA4N010-5CBRK	54
BA4M003-4D	16	BA4M1.5-5C	16	BA4N002-4D	7	BA4N010-5D	7
BA4M003-5BRK	55	BA4M1.5-5CBRK	56	BA4N002-5	5	BA4N015-3	5
BA4M003-5C	16	BA4M1.5-5D	16	BA4N002-5BRK	53	BA4N015-3C	6
BA4M003-5CBRK	56	BA4M5.5-4	15	BA4N002-5C	6	BA4N015-3D	7
BA4M003-5D	16	BA4M5.5-4BRK	55	BA4N002-5CBRK	54	BA4N015-4	5
BA4M004-4	15	BA4M5.5-4C	17	BA4N002-5D	7	BA4N015-4C	6
BA4M004-4BRK	55	BA4M5.5-4CBRK	56	BA4N003-3	5	BA4N015-4D	7
BA4M004-4C	17	BA4M5.5-4D	17	BA4N003-3C	6	BA4N015-5	5
BA4M004-4CBRK	56	BA4M5.5-5	15	BA4N003-3D	7	BA4N015-5C	6
BA4M004-4D	17	BA4M5.5-5BRK	55	BA4N003-4	5	BA4N015-5D	7
BA4M004-5BRK	55	BA4M5.5-5C	17	BA4N003-4BRK	53	BA4N020-3	5
BA4M004-5C	17	BA4M5.5-5CBRK	56	BA4N003-4C	6	BA4N020-3C	6
BA4M004-5CBRK	56	BA4M5.5-5D	17	BA4N003-4CBRK	54	BA4N020-3D	7
BA4M004-5D	17	BA4M7.5-4	15	BA4N003-4D	7	BA4N020-4	5
BA4M010-4BRK	55	BA4M7.5-4BRK	55	BA4N003-5	5	BA4N020-4C	6
BA4M010-4C	17	BA4M7.5-4C	17	BA4N003-5BRK	53	BA4N020-4D	7
BA4M010-4CBRK	56	BA4M7.5-4CBRK	56	BA4N003-5C	6	BA4N020-5	5
BA4M010-4D	17	BA4M7.5-4D	17	BA4N003-5CBRK	54	BA4N020-5C	6
BA4M010-5	15	BA4M7.5-5	15	BA4N003-5D	7	BA4N020-5D	7
BA4M010-5BRK	55	BA4M7.5-5BRK	55	BA4N005-3	5	BA4N025-3	5
BA4M010-5C	17	BA4M7.5-5C	17	BA4N005-3C	6	BA4N025-3C	6
BA4M010-5D	17	BA4M7.5-5CBRK	56	BA4N005-3D	7	BA4N025-3D	7
BA4M015-4C	17	BA4M7.5-5CBRK	56	BA4N005-4	5	BA4N025-4	5
BA4M015-4D	17	BA4M7.5-5D	17	BA4N005-4BRK	53	BA4N025-4C	6
BA4M015-5	15	BA4N001-3	5	BA4N005-4C	6	BA4N025-4D	7
BA4M015-5C	17	BA4N001-3C	6	BA4N005-4CBRK	54	BA4N025-5	5
BA4M015-5D	17	BA4N001-3D	7	BA4N005-4D	7	BA4N025-5C	6
BA4M020-4C	17	BA4N001-4	5	BA4N005-5	5	BA4N025-5D	7
BA4M020-4D	17	BA4N001-4BRK	53	BA4N005-5BRK	53	BA4N030-3	5
BA4M020-5	15	BA4N001-4C	6	BA4N005-5C	6	BA4N030-3C	6
BA4M020-5C	17	BA4N001-4CBRK	54	BA4N005-5CBRK	54	BA4N030-3D	7
BA4M020-5D	17	BA4N001-4D	7	BA4N005-5D	7	BA4N030-4	5
BA4M025-4D	17	BA4N001-5	5	BA4N010-3	5	BA4N030-4C	6

Part Number	Page	Part Number	Page	Part Number	Page	Part Number	Page
BA4N030-4D	7	BA6M.50-4D	16	BA6M004-4CBRK	56	BA6M7.5-5BRK	55
BA4N030-5	5	BA6M.50-5BRK	55	BA6M004-4D	17	BA6M7.5-5C	17
BA4N030-5C	6	BA6M.50-5C	16	BA6M004-5	15	BA6M7.5-5CBRK	56
BA4N030-5D	7	BA6M.50-5CBRK	56	BA6M004-5BRK	55	BA6M7.5-5D	17
BA4N1.5-3	5	BA6M.50-5D	16	BA6M004-5C	17	BA6N001-3	5
BA4N1.5-3C	6	BA6M.75-4	14	BA6M004-5CBRK	56	BA6N001-3C	6
BA4N1.5-3D	7	BA6M.75-4BRK	55	BA6M004-5D	17	BA6N001-3D	7
BA4N1.5-4	5	BA6M.75-4C	16	BA6M010-4C	17	BA6N001-4	5
BA4N1.5-4BRK	53	BA6M.75-4CBRK	56	BA6M010-4D	17	BA6N001-4BRK	53
BA4N1.5-4C	6	BA6M.75-4D	16	BA6M010-5	15	BA6N001-4C	6
BA4N1.5-4CBRK	54	BA6M.75-5BRK	55	BA6M010-5C	17	BA6N001-4CBRK	54
BA4N1.5-4D	7	BA6M.75-5C	16	BA6M010-5D	17	BA6N001-4D	7
BA4N1.5-5	5	BA6M.75-5CBRK	56	BA6M015-4C	17	BA6N001-5	5
BA4N1.5-5BRK	53	BA6M.75-5D	16	BA6M015-4D	17	BA6N001-5BRK	53
BA4N1.5-5C	6	BA6M001-4	14	BA6M015-5	15	BA6N001-5C	6
BA4N1.5-5CBRK	54	BA6M001-4BRK	55	BA6M015-5C	17	BA6N001-5CBRK	54
BA4N1.5-5D	7	BA6M001-4C	16	BA6M015-5D	17	BA6N001-5D	7
BA4N7.5-3	5	BA6M001-4CBRK	56	BA6M020-4D	17	BA6N002-2C	6
BA4N7.5-3C	6	BA6M001-4D	16	BA6M020-5	15	BA6N002-3	5
BA4N7.5-3D	7	BA6M001-5BRK	55	BA6M020-5D	17	BA6N002-3D	7
BA4N7.5-4	5	BA6M001-5C	16	BA6M1.5-4	14	BA6N002-4	5
BA4N7.5-4BRK	53	BA6M001-5CBRK	56	BA6M1.5-4BRK	55	BA6N002-4BRK	53
BA4N7.5-4C	6	BA6M001-5D	16	BA6M1.5-4C	16	BA6N002-4C	6
BA4N7.5-4CBRK	54	BA6M002-4	14	BA6M1.5-4CBRK	56	BA6N002-4CBRK	54
BA4N7.5-4D	7	BA6M002-4BRK	55	BA6M1.5-4D	16	BA6N002-4D	7
BA4N7.5-5	5	BA6M002-4C	16	BA6M1.5-5BRK	55	BA6N002-5	5
BA4N7.5-5BRK	53	BA6M002-4CBRK	56	BA6M1.5-5C	16	BA6N002-5BRK	53
BA4N7.5-5C	6	BA6M002-4D	16	BA6M1.5-5CBRK	56	BA6N002-5C	6
BA4N7.5-5CBRK	54	BA6M002-5BRK	55	BA6M1.5-5D	16	BA6N002-5CBRK	54
BA4N7.5-5D	7	BA6M002-5C	16	BA6M5.5-4	15	BA6N002-5D	7
BA6M.25-4	14	BA6M002-5CBRK	56	BA6M5.5-4BRK	55	BA6N003-3	5
BA6M.25-4C	16	BA6M002-5D	16	BA6M5.5-4C	17	BA6N003-3C	6
BA6M.25-4D	16	BA6M003-4	14	BA6M5.5-4CBRK	56	BA6N003-3D	7
BA6M.25-5C	16	BA6M003-4BRK	55	BA6M5.5-4D	17	BA6N003-4	5
BA6M.25-5D	16	BA6M003-4C	16	BA6M5.5-5	15	BA6N003-4BRK	53
BA6M.33-4	14	BA6M003-4CBRK	56	BA6M5.5-5BRK	55	BA6N003-4C	6
BA6M.33-4C	16	BA6M003-4D	16	BA6M5.5-5C	17	BA6N003-4CBRK	54
BA6M.33-4D	16	BA6M003-5BRK	55	BA6M5.5-5CBRK	56	BA6N003-4D	7
BA6M.33-5C	16	BA6M003-5C	16	BA6M5.5-5D	17	BA6N003-5	5
BA6M.33-5D	16	BA6M003-5CBRK	56	BA6M7.5-4BRK	55	BA6N003-5BRK	53
BA6M.50-4	14	BA6M003-5D	16	BA6M7.5-4C	17	BA6N003-5C	6
BA6M.50-4BRK	55	BA6M004-4	15	BA6M7.5-4CBRK	56	BA6N003-5CBRK	54
BA6M.50-4C	16	BA6M004-4BRK	55	BA6M7.5-4D	17	BA6N003-5D	7
BA6M.50-4CBRK	56	BA6M004-4C	17	BA6M7.5-5	15	BA6N005-3	5

Part Number	Page	Part Number	Page	Part Number	Page	Part Number	Page
BA6N005-3C	6	BA6N1.5-4C	6	BC2M002-4C	20	BC2M030-5D	21
BA6N005-3D	7	BA6N1.5-4CBRK	54	BC2M002-4D	20	BC2M040-4	18
BA6N005-4	5	BA6N1.5-4D	7	BC2M002-5	18	BC2M040-4D	21
BA6N005-4BRK	53	BA6N1.5-5	5	BC2M002-5C	20	BC2M040-5	18
BA6N005-4C	6	BA6N1.5-5BRK	53	BC2M002-5D	20	BC2M040-5D	21
BA6N005-4CBRK	54	BA6N1.5-5C	6	BC2M003-4	18	BC2M050-4	19
BA6N005-4D	7	BA6N1.5-5CBRK	54	BC2M003-4C	20	BC2M050-4D	21
BA6N005-5	5	BA6N1.5-5D	7	BC2M003-4D	20	BC2M050-5	19
BA6N005-5BRK	53	BA6N7.5-3	5	BC2M003-5	18	BC2M050-5D	21
BA6N005-5C	6	BA6N7.5-3C	6	BC2M003-5C	20	BC2M060-4	19
BA6N005-5CBRK	54	BA6N7.5-3D	7	BC2M003-5D	20	BC2M060-4D	21
BA6N005-5D	7	BA6N7.5-4	5	BC2M004-4	18	BC2M060-5	19
BA6N010-3	5	BA6N7.5-4C	6	BC2M004-4C	20	BC2M060-5D	21
BA6N010-3C	6	BA6N7.5-4D	7	BC2M004-4D	20	BC2M075-4	19
BA6N010-3D	7	BA6N7.5-5	5	BC2M004-5	18	BC2M075-4D	21
BA6N010-4	5	BA6N7.5-5C	6	BC2M004-5C	20	BC2M075-5	19
BA6N010-4C	6	BA6N7.5-5D	7	BC2M004-5D	20	BC2M075-5D	21
BA6N010-4D	7	BA8M.25-4	14	BC2M010-4	18	BC2M1.5-4	18
BA6N010-5	5	BA8M.25-4C	16	BC2M010-4C	20	BC2M1.5-4C	20
BA6N010-5C	6	BA8M.25-4D	16	BC2M010-4D	20	BC2M1.5-4D	20
BA6N010-5D	7	BA8M.25-5C	16	BC2M010-5	18	BC2M1.5-5	18
BA6N015-3	5	BA8M.25-5D	16	BC2M010-5C	20	BC2M1.5-5C	20
BA6N015-3C	6	BA8M.33-4	14	BC2M010-5D	20	BC2M1.5-5D	20
BA6N015-3D	7	BA8M.33-4C	16	BC2M015-4	18	BC2M100-4	19
BA6N015-4	5	BA8M.33-4D	16	BC2M015-4C	20	BC2M100-4D	21
BA6N015-4C	6	BA8M.33-5C	16	BC2M015-4D	20	BC2M100-5	19
BA6N015-4D	7	BA8M.33-5D	16	BC2M015-5	18	BC2M100-5D	21
BA6N015-5	5	BA8M.50-4	14	BC2M015-5C	20	BC2M125-5	19
BA6N015-5C	6	BA8M.50-4C	16	BC2M015-5D	20	BC2M125-5D	21
BA6N015-5D	7	BA8M.50-4D	16	BC2M020-4	18	BC2M125-9	19
BA6N020-3	5	BA8M.50-5C	16	BC2M020-4C	21	BC2M125-9D	21
BA6N020-3C	6	BA8M.50-5D	16	BC2M020-4D	21	BC2M150-5	19
BA6N020-3D	7	BA8M.75-4	14	BC2M020-5	18	BC2M150-5D	21
BA6N020-4	5	BA8M.75-4C	16	BC2M020-5C	21	BC2M150-9	19
BA6N020-4C	6	BA8M.75-4D	16	BC2M020-5D	21	BC2M150-9D	21
BA6N020-4D	7	BA8M.75-5C	16	BC2M025-4	18	BC2M200-5	19
BA6N020-5	5	BA8M.75-5D	16	BC2M025-4C	21	BC2M200-5D	21
BA6N020-5C	6	BC2M001-4	18	BC2M025-4D	21	BC2M200-9	19
BA6N020-5D	7	BC2M001-4C	20	BC2M025-5	18	BC2M200-9D	21
BA6N1.5-3	5	BC2M001-4D	20	BC2M025-5C	21	BC2M250-5	19
BA6N1.5-3C	6	BC2M001-5	18	BC2M025-5D	21	BC2M250-9	19
BA6N1.5-3D	7	BC2M001-5C	20	BC2M030-4	18	BC2M300-5	19
BA6N1.5-4	5	BC2M001-5D	20	BC2M030-4D	21	BC2M300-9	19
BA6N1.5-4BRK	53	BC2M002-4	18	BC2M030-5	18	BC2M350-5	19

Part Number	Page	Part Number	Page	Part Number	Page	Part Number	Page
BC2M350-9	19	BC2N015-4C	10	BC2N075-5	9	BC2N300-9D	13
BC2M400-5	19	BC2N015-4D	12	BC2N075-5C	11	BC2N350-5	9
BC2M400-9	19	BC2N015-5	8	BC2N075-5D	13	BC2N350-5C	11
BC2M450-5	19	BC2N015-5C	10	BC2N1.5-4	8	BC2N350-5D	13
BC2M450-9	19	BC2N015-5D	12	BC2N1.5-4C	10	BC2N350-9	9
BC2M5.5-4	18	BC2N020-4	8	BC2N1.5-4D	12	BC2N350-9C	11
BC2M5.5-4C	20	BC2N020-4C	10	BC2N1.5-5	8	BC2N350-9D	13
BC2M5.5-4D	20	BC2N020-4D	12	BC2N1.5-5C	10	BC2N400-5	9
BC2M5.5-5	18	BC2N020-5	8	BC2N1.5-5D	12	BC2N400-5C	11
BC2M5.5-5C	20	BC2N020-5C	10	BC2N100-4	9	BC2N400-5D	13
BC2M5.5-5D	20	BC2N020-5D	12	BC2N100-4C	11	BC2N400-9	9
BC2M500-5	19	BC2N025-4	8	BC2N100-4D	13	BC2N400-9C	11
BC2M500-9	19	BC2N025-4C	10	BC2N100-5	9	BC2N400-9D	13
BC2M7.5-4	18	BC2N025-4D	12	BC2N100-5C	11	BC2N450-5	9
BC2M7.5-4C	20	BC2N025-5	8	BC2N100-5D	13	BC2N450-5C	11
BC2M7.5-4D	20	BC2N025-5C	10	BC2N125-5	9	BC2N450-5D	13
BC2M7.5-5	18	BC2N025-5D	12	BC2N125-5C	11	BC2N450-9	9
BC2M7.5-5C	20	BC2N030-4	8	BC2N125-5D	13	BC2N450-9C	11
BC2M7.5-5D	20	BC2N030-4C	10	BC2N125-9	9	BC2N450-9D	13
BC2N002-4	8	BC2N030-4D	12	BC2N125-9C	11	BC2N500-5	9
BC2N002-4C	10	BC2N030-5	8	BC2N125-9D	13	BC2N500-5C	11
BC2N002-4D	12	BC2N030-5C	10	BC2N150-5	9	BC2N500-5D	13
BC2N002-5	8	BC2N030-5D	12	BC2N150-5C	11	BC2N500-9	9
BC2N002-5C	10	BC2N040-4	8	BC2N150-5D	13	BC2N500-9C	11
BC2N002-5D	12	BC2N040-4C	10	BC2N150-9	9	BC2N500-9D	13
BC2N003-4	8	BC2N040-4D	12	BC2N150-9C	11	BC2N7.5-4	8
BC2N003-4C	10	BC2N040-5	8	BC2N150-9D	13	BC2N7.5-4C	10
BC2N003-4D	12	BC2N040-5C	10	BC2N200-5	9	BC2N7.5-4D	12
BC2N003-5	8	BC2N040-5D	12	BC2N200-5C	11	BC2N7.5-5	8
BC2N003-5C	10	BC2N050-4	9	BC2N200-5D	13	BC2N7.5-5C	10
BC2N003-5D	12	BC2N050-4C	11	BC2N200-9	9	BC2N7.5-5D	12
BC2N005-4	8	BC2N050-4D	13	BC2N200-9C	11	BC4M001-4	18
BC2N005-4C	10	BC2N050-5	9	BC2N200-9D	13	BC4M001-4C	20
BC2N005-4D	12	BC2N050-5C	11	BC2N250-5	9	BC4M001-4D	20
BC2N005-5	8	BC2N050-5D	13	BC2N250-5C	11	BC4M001-5	18
BC2N005-5C	10	BC2N060-4	9	BC2N250-5D	13	BC4M001-5C	20
BC2N005-5D	12	BC2N060-4C	11	BC2N250-9	9	BC4M001-5D	20
BC2N010-4	8	BC2N060-4D	13	BC2N250-9C	11	BC4M002-4	18
BC2N010-4C	10	BC2N060-5	9	BC2N250-9D	13	BC4M002-4C	20
BC2N010-4D	12	BC2N060-5C	11	BC2N300-5	9	BC4M002-4D	20
BC2N010-5	8	BC2N060-5D	13	BC2N300-5C	11	BC4M002-5	18
BC2N010-5C	10	BC2N075-4	9	BC2N300-5D	13	BC4M002-5C	20
BC2N010-5D	12	BC2N075-4C	11	BC2N300-9	9	BC4M002-5D	20
BC2N015-4	8	BC2N075-4D	13	BC2N300-9C	11	BC4M003-4	18

Part Number	Page	Part Number	Page	Part Number	Page	Part Number	Page
BC4M003-4C	20	BC4M050-5D	21	BC4M5.5-5	18	BC4N015-5	8
BC4M003-4D	20	BC4M060-4	19	BC4M5.5-5C	20	BC4N015-5C	10
BC4M003-5	18	BC4M060-4D	21	BC4M5.5-5D	20	BC4N015-5D	12
BC4M003-5C	20	BC4M060-5	19	BC4M500-5	19	BC4N020-4	8
BC4M003-5D	20	BC4M060-5D	21	BC4M500-9	19	BC4N020-4C	10
BC4M004-4	18	BC4M075-4	19	BC4M7.5-4	18	BC4N020-4D	12
BC4M004-4C	20	BC4M075-4D	21	BC4M7.5-4C	20	BC4N020-5	8
BC4M004-4D	20	BC4M075-5	19	BC4M7.5-4D	20	BC4N020-5C	10
BC4M004-5	18	BC4M075-5D	21	BC4M7.5-5	18	BC4N020-5D	12
BC4M004-5C	20	BC4M1.5-4	18	BC4M7.5-5C	20	BC4N025-4	8
BC4M004-5D	20	BC4M1.5-4C	20	BC4M7.5-5D	20	BC4N025-4C	10
BC4M010-4	18	BC4M1.5-4D	20	BC4N001-4	8	BC4N025-4D	12
BC4M010-4C	20	BC4M1.5-5	18	BC4N001-4C	10	BC4N025-5	8
BC4M010-4D	20	BC4M1.5-5C	20	BC4N001-4D	12	BC4N025-5C	10
BC4M010-5	18	BC4M1.5-5D	20	BC4N001-5	8	BC4N025-5D	12
BC4M010-5C	20	BC4M100-4	19	BC4N001-5C	10	BC4N030-4	8
BC4M010-5D	20	BC4M100-4D	21	BC4N001-5D	12	BC4N030-4C	10
BC4M015-4	18	BC4M100-5	19	BC4N002-4	8	BC4N030-4D	12
BC4M015-4C	20	BC4M100-5D	21	BC4N002-4C	10	BC4N030-5	8
BC4M015-4D	20	BC4M125-5	19	BC4N002-4D	12	BC4N030-5C	10
BC4M015-5	18	BC4M125-5D	21	BC4N002-5	8	BC4N030-5D	12
BC4M015-5C	20	BC4M125-9	19	BC4N002-5C	10	BC4N040-4	8
BC4M015-5D	20	BC4M125-9D	21	BC4N002-5D	12	BC4N040-4C	10
BC4M020-4	18	BC4M150-5	19	BC4N003-4	8	BC4N040-4D	12
BC4M020-4C	21	BC4M150-5D	21	BC4N003-4C	10	BC4N040-5	8
BC4M020-4D	21	BC4M150-9	19	BC4N003-4D	12	BC4N040-5C	10
BC4M020-5	18	BC4M150-9D	21	BC4N003-5	8	BC4N040-5D	12
BC4M020-5C	21	BC4M200-5	19	BC4N003-5C	10	BC4N050-4	9
BC4M020-5D	21	BC4M200-5D	21	BC4N003-5D	12	BC4N050-4C	11
BC4M025-4	18	BC4M200-9	19	BC4N005-4	8	BC4N050-4D	13
BC4M025-4D	21	BC4M200-9D	21	BC4N005-4C	10	BC4N050-5	9
BC4M025-5	18	BC4M250-5	19	BC4N005-4D	12	BC4N050-5C	11
BC4M025-5D	21	BC4M250-9	19	BC4N005-5	8	BC4N050-5D	13
BC4M030-4	18	BC4M300-5	19	BC4N005-5C	10	BC4N060-4	9
BC4M030-4D	21	BC4M300-9	19	BC4N005-5D	12	BC4N060-4C	11
BC4M030-5	18	BC4M350-5	19	BC4N010-4	8	BC4N060-4D	13
BC4M030-5D	21	BC4M350-9	19	BC4N010-4C	10	BC4N060-5	9
BC4M040-4	18	BC4M400-5	19	BC4N010-4D	12	BC4N060-5C	11
BC4M040-4D	21	BC4M400-9	19	BC4N010-5	8	BC4N060-5D	13
BC4M040-5	18	BC4M450-5	19	BC4N010-5C	10	BC4N075-4	9
BC4M040-5D	21	BC4M450-9	19	BC4N010-5D	12	BC4N075-4C	11
BC4M050-4	19	BC4M5.5-4	18	BC4N015-4	8	BC4N075-4D	13
BC4M050-4D	21	BC4M5.5-4C	20	BC4N015-4C	10	BC4N075-5	9
BC4M050-5	19	BC4M5.5-4D	20	BC4N015-4D	12	BC4N075-5C	11

Part Number	Page	Part Number	Page	Part Number	Page	Part Number	Page
BC4N075-5D	13	BC4N350-5C	11	BC6M003-5	18	BC6M060-5D	21
BC4N1.5-4	8	BC4N350-5D	13	BC6M003-5C	20	BC6M075-4	19
BC4N1.5-4C	10	BC4N350-9	9	BC6M003-5D	20	BC6M075-4D	21
BC4N1.5-4D	12	BC4N350-9C	11	BC6M004-4	18	BC6M075-5	19
BC4N1.5-5	8	BC4N350-9D	13	BC6M004-4C	20	BC6M075-5D	21
BC4N1.5-5C	10	BC4N400-5	9	BC6M004-4D	20	BC6M1.5-4	18
BC4N1.5-5D	12	BC4N400-5C	11	BC6M004-5	18	BC6M1.5-4C	20
BC4N100-4	9	BC4N400-5D	13	BC6M004-5C	20	BC6M1.5-4D	20
BC4N100-4C	11	BC4N400-9	9	BC6M004-5D	20	BC6M1.5-5	18
BC4N100-4D	13	BC4N400-9C	11	BC6M010-4	18	BC6M1.5-5C	20
BC4N100-5	9	BC4N400-9D	13	BC6M010-4C	20	BC6M1.5-5D	20
BC4N100-5C	11	BC4N450-5	9	BC6M010-4D	20	BC6M100-4	19
BC4N100-5D	13	BC4N450-5C	11	BC6M010-5	18	BC6M100-4D	21
BC4N125-5	9	BC4N450-5D	13	BC6M010-5C	20	BC6M100-5	19
BC4N125-5C	11	BC4N450-9	9	BC6M010-5D	20	BC6M100-5D	21
BC4N125-5D	13	BC4N450-9C	11	BC6M015-4	18	BC6M125-5	19
BC4N125-9	9	BC4N450-9D	13	BC6M015-4C	20	BC6M125-5D	21
BC4N125-9C	11	BC4N500-5	9	BC6M015-4D	20	BC6M125-9	19
BC4N125-9D	13	BC4N500-5C	11	BC6M015-5	18	BC6M125-9D	21
BC4N150-5	9	BC4N500-5D	13	BC6M015-5C	20	BC6M150-5	19
BC4N150-5C	11	BC4N500-9	9	BC6M015-5D	20	BC6M150-5D	21
BC4N150-5D	13	BC4N500-9C	11	BC6M020-4	18	BC6M150-9	19
BC4N150-9	9	BC4N500-9D	13	BC6M020-4D	21	BC6M150-9D	21
BC4N150-9C	11	BC4N7.5-4	8	BC6M020-5	18	BC6M5.5-4	18
BC4N150-9D	13	BC4N7.5-4C	10	BC6M020-5D	21	BC6M5.5-4C	20
BC4N200-5	9	BC4N7.5-4D	12	BC6M025-4	18	BC6M5.5-4D	20
BC4N200-5C	11	BC4N7.5-5	8	BC6M025-4D	21	BC6M5.5-5	18
BC4N200-5D	13	BC4N7.5-5C	10	BC6M025-5	18	BC6M5.5-5C	20
BC4N200-9	9	BC4N7.5-5D	12	BC6M025-5D	21	BC6M5.5-5D	20
BC4N200-9C	11	BC6M001-4	18	BC6M030-4	18	BC6M7.5-4	18
BC4N200-9D	13	BC6M001-4C	20	BC6M030-4D	21	BC6M7.5-4C	20
BC4N250-5	9	BC6M001-4D	20	BC6M030-5	18	BC6M7.5-4D	20
BC4N250-5C	11	BC6M001-5	18	BC6M030-5D	21	BC6M7.5-5	18
BC4N250-5D	13	BC6M001-5C	20	BC6M040-4	18	BC6M7.5-5C	20
BC4N250-9	9	BC6M001-5D	20	BC6M040-4D	21	BC6M7.5-5D	20
BC4N250-9C	11	BC6M002-4	18	BC6M040-5	18	BC6N001-4	8
BC4N250-9D	13	BC6M002-4C	20	BC6M040-5D	21	BC6N001-4C	10
BC4N300-5	9	BC6M002-4D	20	BC6M050-4	19	BC6N001-4D	12
BC4N300-5C	11	BC6M002-5	18	BC6M050-4D	21	BC6N001-5	8
BC4N300-5D	13	BC6M002-5C	20	BC6M050-5	19	BC6N001-5C	10
BC4N300-9	9	BC6M002-5D	20	BC6M050-5D	21	BC6N001-5D	12
BC4N300-9C	11	BC6M003-4	18	BC6M060-4	19	BC6N002-4	8
BC4N300-9D	13	BC6M003-4C	20	BC6M060-4D	21	BC6N002-4C	10
BC4N350-5	9	BC6M003-4D	20	BC6M060-5	19	BC6N002-4D	12

Part Number	Page	Part Number	Page	Part Number	Page	Part Number	Page
BC6N002-5	8	BC6N030-5D	12	BC6N150-5C	11	BF4N.25-2C	4
BC6N002-5C	10	BC6N040-4	8	BC6N150-5D	13	BF4N.25-5	3
BC6N002-5D	12	BC6N040-4C	10	BC6N150-9	9	BF4N.25-5C	4
BC6N003-4	8	BC6N040-4D	12	BC6N150-9C	11	BF4N.33-2	3
BC6N003-4C	10	BC6N040-5	8	BC6N150-9D	13	BF4N.33-2C	4
BC6N003-4D	12	BC6N040-5C	10	BC6N7.5-4	8	BF4N.33-5	3
BC6N003-5	8	BC6N040-5D	12	BC6N7.5-4C	10	BF4N.33-5C	4
BC6N003-5C	10	BC6N050-4	9	BC6N7.5-4D	12	BF4N.50-2	3
BC6N003-5D	12	BC6N050-4C	11	BC6N7.5-5	8	BF4N.50-2BRK	53
BC6N005-4	8	BC6N050-4D	13	BC6N7.5-5C	10	BF4N.50-2C	4
BC6N005-4C	10	BC6N050-5	9	BC6N7.5-5D	12	BF4N.50-2CBRK	54
BC6N005-4D	12	BC6N050-5C	11	BF2N.33-2	3	BF4N.50-5	3
BC6N005-5	8	BC6N050-5D	13	BF2N.33-2C	4	BF4N.50-5BRK	53
BC6N005-5C	10	BC6N060-4	9	BF2N.33-5	3	BF4N.50-5C	4
BC6N005-5D	12	BC6N060-4C	11	BF2N.33-5C	4	BF4N.50-5CBRK	54
BC6N010-4	8	BC6N060-4D	13	BF2N.50-2	3	BF4N.75-2	3
BC6N010-4C	10	BC6N060-5	9	BF2N.50-2C	4	BF4N.75-2BRK	53
BC6N010-4D	12	BC6N060-5C	11	BF2N.50-5	3	BF4N.75-2C	4
BC6N010-5	8	BC6N060-5D	13	BF2N.50-5C	4	BF4N.75-2CBRK	54
BC6N010-5C	10	BC6N075-4	9	BF2N.75-2	3	BF4N.75-5	3
BC6N010-5D	12	BC6N075-4C	11	BF2N.75-2BRK	53	BF4N.75-5BRK	53
BC6N015-4	8	BC6N075-4D	13	BF2N.75-2C	4	BF4N.75-5C	4
BC6N015-4C	10	BC6N075-5	9	BF2N.75-2CBRK	54	BF4N.75-5CBRK	54
BC6N015-4D	12	BC6N075-5C	11	BF2N.75-5	3	BF4N001-2	3
BC6N015-5	8	BC6N075-5D	13	BF2N.75-5BRK	53	BF4N001-2BRK	53
BC6N015-5C	10	BC6N1.5-4	8	BF2N.75-5C	4	BF4N001-2C	4
BC6N015-5D	12	BC6N1.5-4C	10	BF2N.75-5CBRK	54	BF4N001-2CBRK	54
BC6N020-4	8	BC6N1.5-4D	12	BF2N001-2	3	BF4N001-5	3
BC6N020-4C	10	BC6N1.5-5	8	BF2N001-2BRK	53	BF4N001-5BRK	53
BC6N020-4D	12	BC6N1.5-5C	10	BF2N001-2C	4	BF4N001-5C	4
BC6N020-5	8	BC6N1.5-5D	12	BF2N001-2CBRK	54	BF4N001-5CBRK	54
BC6N020-5C	10	BC6N100-4	9	BF2N001-5	3	BF4N1.5-2	3
BC6N020-5D	12	BC6N100-4C	11	BF2N001-5BRK	53	BF4N1.5-2BRK	53
BC6N025-4	8	BC6N100-4D	13	BF2N001-5C	4	BF4N1.5-2C	4
BC6N025-4C	10	BC6N100-5	9	BF2N001-5CBRK	54	BF4N1.5-2CBRK	54
BC6N025-4D	12	BC6N100-5C	11	BF2N1.5-2	3	BF4N1.5-5	3
BC6N025-5	8	BC6N100-5D	13	BF2N1.5-2BRK	53	BF4N1.5-5BRK	53
BC6N025-5C	10	BC6N125-5	9	BF2N1.5-2C	4	BF4N1.5-5C	4
BC6N025-5D	12	BC6N125-5C	11	BF2N1.5-2CBRK	54	BF4N1.5-5CBRK	54
BC6N030-4	8	BC6N125-5D	13	BF2N1.5-5	3	BF6N.25-2	3
BC6N030-4C	10	BC6N125-9	9	BF2N1.5-5BRK	53	BF6N.25-2C	4
BC6N030-4D	12	BC6N125-9C	11	BF2N1.5-5C	4	BF6N.25-5	3
BC6N030-5	8	BC6N125-9D	13	BF2N1.5-5CBRK	54	BF6N.25-5C	4
BC6N030-5C	10	BC6N150-5	9	BF4N.25-2	3	BF6N.33-2	3

Part Number	Page	Part Number	Page	Part Number	Page	Part Number	Page
BF6N.33-2C	4	PA2M003-2C	48	PA2N003-3	38	PA2N1.5-5D	40
BF6N.33-5	3	PA2M003-2D	48	PA2N003-3C	39	PA2N7.5-3	38
BF6N.33-5C	4	PA2M003-5	47	PA2N003-3D	40	PA2N7.5-3C	39
BF6N.50-2	3	PA2M003-5C	48	PA2N003-4	38	PA2N7.5-3D	40
BF6N.50-2BRK	53	PA2M003-5D	48	PA2N003-4C	39	PA2N7.5-4	38
BF6N.50-2C	4	PA2M004-2	47	PA2N003-4D	40	PA2N7.5-4C	39
BF6N.50-2CBRK	54	PA2M004-2C	48	PA2N003-5	38	PA2N7.5-4D	40
BF6N.50-5	3	PA2M004-2D	48	PA2N003-5C	39	PA2N7.5-5	38
BF6N.50-5BRK	53	PA2M004-5	47	PA2N003-5D	40	PA2N7.5-5C	39
BF6N.50-5C	4	PA2M004-5C	48	PA2N005-3	38	PA2N7.5-5D	40
BF6N.50-5CBRK	54	PA2M004-5D	48	PA2N005-3C	39	PA4M001-2	47
BF6N.75-2	3	PA2M010-2	47	PA2N005-3D	40	PA4M001-2C	48
BF6N.75-2BRK	53	PA2M010-2C	48	PA2N005-4	38	PA4M001-2D	48
BF6N.75-2C	4	PA2M010-2D	48	PA2N005-4C	39	PA4M001-5	47
BF6N.75-2CBRK	54	PA2M010-5	47	PA2N005-4D	40	PA4M001-5C	48
BF6N.75-5	3	PA2M010-5C	48	PA2N005-5	38	PA4M001-5D	48
BF6N.75-5BRK	53	PA2M010-5D	48	PA2N005-5C	39	PA4M002-2	47
BF6N.75-5C	4	PA2M1.5-2	47	PA2N005-5D	40	PA4M002-2C	48
BF6N.75-5CBRK	54	PA2M1.5-2C	48	PA2N010-3	38	PA4M002-2D	48
BF8N.25-2	3	PA2M1.5-2D	48	PA2N010-3C	39	PA4M002-5	47
BF8N.25-2C	4	PA2M1.5-5	47	PA2N010-3D	40	PA4M002-5C	48
BF8N.25-5	3	PA2M1.5-5C	48	PA2N010-4	38	PA4M002-5D	48
BF8N.25-5C	4	PA2M1.5-5D	48	PA2N010-4C	39	PA4M003-2	47
BF8N.33-2	3	PA2M5.5-2	47	PA2N010-4D	40	PA4M003-2C	48
BF8N.33-2C	4	PA2M5.5-2C	48	PA2N010-5	38	PA4M003-2D	48
BF8N.33-5	3	PA2M5.5-2D	48	PA2N010-5C	39	PA4M003-5	47
BF8N.33-5C	4	PA2M5.5-5	47	PA2N010-5D	40	PA4M003-5C	48
BF8N.50-2	3	PA2M5.5-5C	48	PA2N015-3CS	39	PA4M003-5D	48
BF8N.50-2C	4	PA2M5.5-5D	48	PA2N015-3DS	40	PA4M004-2	47
BF8N.50-5	3	PA2M7.5-2	47	PA2N015-3S	38	PA4M004-2C	48
BF8N.50-5C	4	PA2M7.5-2C	48	PA2N015-4CS	39	PA4M004-2D	48
PA2M001-2	47	PA2M7.5-2D	48	PA2N015-4DS	40	PA4M004-5	47
PA2M001-2C	48	PA2M7.5-5	47	PA2N015-4S	38	PA4M004-5C	48
PA2M001-2D	48	PA2M7.5-5C	48	PA2N015-5CS	39	PA4M004-5D	48
PA2M001-5	47	PA2M7.5-5D	48	PA2N015-5DS	40	PA4M010-2	47
PA2M001-5C	48	PA2N002-3	38	PA2N015-5S	38	PA4M010-2C	48
PA2M001-5D	48	PA2N002-3C	39	PA2N1.5-3	38	PA4M010-2D	48
PA2M002-2	47	PA2N002-3D	40	PA2N1.5-3C	39	PA4M010-5	47
PA2M002-2C	48	PA2N002-4	38	PA2N1.5-3D	40	PA4M010-5C	48
PA2M002-2D	48	PA2N002-4C	39	PA2N1.5-4	38	PA4M010-5D	48
PA2M002-5	47	PA2N002-4D	40	PA2N1.5-4C	39	PA4M1.5-2	47
PA2M002-5C	48	PA2N002-5	38	PA2N1.5-4D	40	PA4M1.5-2C	48
PA2M002-5D	48	PA2N002-5C	39	PA2N1.5-5	38	PA4M1.5-2D	48
PA2M003-2	47	PA2N002-5D	40	PA2N1.5-5C	39	PA4M1.5-5	47

Part Number	Page	Part Number	Page	Part Number	Page	Part Number	Page
PA4M1.5-5C	48	PA4N005-4	38	PA6M002-5D	48	PA6N002-4C	39
PA4M1.5-5D	48	PA4N005-4C	39	PA6M003-2	47	PA6N002-4D	40
PA4M5.5-2	47	PA4N005-4D	40	PA6M003-2C	48	PA6N002-5	38
PA4M5.5-2C	48	PA4N005-5	38	PA6M003-2D	48	PA6N002-5C	39
PA4M5.5-2D	48	PA4N005-5C	39	PA6M003-5	47	PA6N002-5D	40
PA4M5.5-5	47	PA4N005-5D	40	PA6M003-5C	48	PA6N003-3	38
PA4M5.5-5C	48	PA4N010-3	38	PA6M003-5D	48	PA6N003-3C	39
PA4M5.5-5D	48	PA4N010-3C	39	PA6M004-2	47	PA6N003-3D	40
PA4M7.5-2	47	PA4N010-3D	40	PA6M004-2C	48	PA6N003-4	38
PA4M7.5-2C	48	PA4N010-4	38	PA6M004-2D	48	PA6N003-4C	39
PA4M7.5-2D	48	PA4N010-4C	39	PA6M004-5	47	PA6N003-4D	40
PA4M7.5-5	47	PA4N010-4D	40	PA6M004-5C	48	PA6N003-5	38
PA4M7.5-5C	48	PA4N010-5	38	PA6M004-5D	48	PA6N003-5C	39
PA4M7.5-5D	48	PA4N010-5C	39	PA6M1.5-2	47	PA6N003-5D	40
PA4N001-3	38	PA4N010-5D	40	PA6M1.5-2C	48	PA6N005-3	38
PA4N001-3C	39	PA4N1.5-3	38	PA6M1.5-2D	48	PA6N005-3C	39
PA4N001-3D	40	PA4N1.5-3C	39	PA6M1.5-5	47	PA6N005-3D	40
PA4N001-4	38	PA4N1.5-3D	40	PA6M1.5-5C	48	PA6N005-4	38
PA4N001-4C	39	PA4N1.5-4	38	PA6M1.5-5D	48	PA6N005-4C	39
PA4N001-4D	40	PA4N1.5-4C	39	PA6M5.5-2	47	PA6N005-4D	40
PA4N001-5	38	PA4N1.5-4D	40	PA6M5.5-2C	48	PA6N005-5	38
PA4N001-5C	39	PA4N1.5-5	38	PA6M5.5-2D	48	PA6N005-5C	39
PA4N001-5D	40	PA4N1.5-5C	39	PA6M5.5-5	47	PA6N005-5D	40
PA4N002-3	38	PA4N1.5-5D	40	PA6M5.5-5C	48	PA6N1.5-3	38
PA4N002-3C	39	PA4N7.5-3	38	PA6M5.5-5D	48	PA6N1.5-3C	39
PA4N002-3D	40	PA4N7.5-3C	39	PA6M7.5-2	47	PA6N1.5-3D	40
PA4N002-4	38	PA4N7.5-3D	40	PA6M7.5-2C	48	PA6N1.5-4	38
PA4N002-4C	39	PA4N7.5-4	38	PA6M7.5-2D	48	PA6N1.5-4C	39
PA4N002-4D	40	PA4N7.5-4C	39	PA6M7.5-5	47	PA6N1.5-4D	40
PA4N002-5	38	PA4N7.5-4D	40	PA6M7.5-5C	48	PA6N1.5-5	38
PA4N002-5C	39	PA4N7.5-5	38	PA6M7.5-5D	48	PA6N1.5-5C	39
PA4N002-5D	40	PA4N7.5-5C	39	PA6N001-3	38	PA6N1.5-5D	40
PA4N003-3	38	PA4N7.5-5D	40	PA6N001-3C	39	PC2M001-4	49
PA4N003-3C	39	PA6M001-2	47	PA6N001-3D	40	PC2M001-4C	51
PA4N003-3D	40	PA6M001-2C	48	PA6N001-4	38	PC2M001-4D	51
PA4N003-4	38	PA6M001-2D	48	PA6N001-4C	39	PC2M001-5	49
PA4N003-4C	39	PA6M001-5	47	PA6N001-4D	40	PC2M001-5C	51
PA4N003-4D	40	PA6M001-5C	48	PA6N001-5	38	PC2M001-5D	51
PA4N003-5	38	PA6M001-5D	48	PA6N001-5C	39	PC2M002-4	49
PA4N003-5C	39	PA6M002-2	47	PA6N001-5D	40	PC2M002-4C	51
PA4N003-5D	40	PA6M002-2C	48	PA6N002-3	38	PC2M002-4D	51
PA4N005-3	38	PA6M002-2D	48	PA6N002-3C	39	PC2M002-5	49
PA4N005-3C	39	PA6M002-5	47	PA6N002-3D	40	PC2M002-5C	51
PA4N005-3D	40	PA6M002-5C	48	PA6N002-4	38	PC2M002-5D	51

Part Number	Page	Part Number	Page	Part Number	Page	Part Number	Page
PC2M003-4	49	PC2M050-4	50	PC2M7.5-5C	51	PC2N030-2	41
PC2M003-4C	51	PC2M050-4D	52	PC2M7.5-5D	51	PC2N030-2C	43
PC2M003-4D	51	PC2M050-5	50	PC2N002-2	41	PC2N030-2D	45
PC2M003-5	49	PC2M050-5D	52	PC2N002-2C	43	PC2N030-5	41
PC2M003-5C	51	PC2M060-4	50	PC2N002-2D	45	PC2N030-5C	43
PC2M003-5D	51	PC2M060-4D	52	PC2N002-5	41	PC2N030-5D	45
PC2M004-4	49	PC2M060-5	50	PC2N002-5C	43	PC2N040-2	41
PC2M004-4C	51	PC2M060-5D	52	PC2N002-5D	45	PC2N040-2C	43
PC2M004-4D	51	PC2M075-4	50	PC2N003-2	41	PC2N040-2D	45
PC2M004-5	49	PC2M075-4D	52	PC2N003-2C	43	PC2N040-5	41
PC2M004-5C	51	PC2M075-5	50	PC2N003-2D	45	PC2N040-5C	43
PC2M004-5D	51	PC2M075-5D	52	PC2N003-5	41	PC2N040-5D	45
PC2M010-4	49	PC2M1.5-4	49	PC2N003-5C	43	PC2N050-2	42
PC2M010-4C	51	PC2M1.5-4C	51	PC2N003-5D	45	PC2N050-2C	44
PC2M010-4D	51	PC2M1.5-4D	51	PC2N005-2	41	PC2N050-2D	46
PC2M010-5	49	PC2M1.5-5	49	PC2N005-2C	43	PC2N050-5	42
PC2M010-5C	51	PC2M1.5-5C	51	PC2N005-2D	45	PC2N050-5C	44
PC2M010-5D	51	PC2M1.5-5D	51	PC2N005-5	41	PC2N050-5D	46
PC2M015-4	49	PC2M100-4	50	PC2N005-5C	43	PC2N060-2	42
PC2M015-4C	51	PC2M100-4D	52	PC2N005-5D	45	PC2N060-2C	44
PC2M015-4D	51	PC2M100-5	50	PC2N010-2	41	PC2N060-2D	46
PC2M015-5	49	PC2M100-5D	52	PC2N010-2C	43	PC2N060-5	42
PC2M015-5C	51	PC2M125-5	50	PC2N010-2D	45	PC2N060-5C	44
PC2M015-5D	51	PC2M125-5D	52	PC2N010-5	41	PC2N060-5D	46
PC2M020-4	50	PC2M125-9	50	PC2N010-5C	43	PC2N075-2	42
PC2M020-4C	52	PC2M125-9D	52	PC2N010-5D	45	PC2N075-2C	44
PC2M020-4D	52	PC2M150-5	50	PC2N015-2	41	PC2N075-2D	46
PC2M020-5	50	PC2M150-5D	52	PC2N015-2C	43	PC2N075-5	42
PC2M020-5C	52	PC2M150-9	50	PC2N015-2D	45	PC2N075-5C	44
PC2M020-5D	52	PC2M150-9D	52	PC2N015-5	41	PC2N075-5D	46
PC2M025-4	50	PC2M200-5	50	PC2N015-5C	43	PC2N1.5-2	41
PC2M025-4C	52	PC2M200-5D	52	PC2N015-5D	45	PC2N1.5-2C	43
PC2M025-4D	52	PC2M200-9	50	PC2N020-2	41	PC2N1.5-2D	45
PC2M025-5	50	PC2M200-9D	52	PC2N020-2C	43	PC2N1.5-5	41
PC2M025-5C	52	PC2M5.5-4	49	PC2N020-2D	45	PC2N1.5-5C	43
PC2M025-5D	52	PC2M5.5-4C	51	PC2N020-5	41	PC2N1.5-5D	45
PC2M030-4	50	PC2M5.5-4D	51	PC2N020-5C	43	PC2N100-2	42
PC2M030-4D	52	PC2M5.5-5	49	PC2N020-5D	45	PC2N100-2C	44
PC2M030-5	50	PC2M5.5-5C	51	PC2N025-2	41	PC2N100-2D	46
PC2M030-5D	52	PC2M5.5-5D	51	PC2N025-2C	43	PC2N100-5	42
PC2M040-4	50	PC2M7.5-4	49	PC2N025-2D	45	PC2N100-5C	44
PC2M040-4D	52	PC2M7.5-4C	51	PC2N025-5	41	PC2N100-5D	46
PC2M040-5	50	PC2M7.5-4D	51	PC2N025-5C	43	PC2N125-5	42
PC2M040-5D	52	PC2M7.5-5	49	PC2N025-5D	45	PC2N125-5C	44

Part Number	Page	Part Number	Page	Part Number	Page	Part Number	Page
PC2N125-5D	46	PC4M003-5C	51	PC4M060-5	50	PC4N001-5C	43
PC2N125-9	42	PC4M003-5D	51	PC4M060-5D	52	PC4N001-5D	45
PC2N125-9C	44	PC4M004-4	49	PC4M075-4	50	PC4N002-2	41
PC2N125-9D	46	PC4M004-4C	51	PC4M075-4D	52	PC4N002-2C	43
PC2N150-5	42	PC4M004-4D	51	PC4M075-5	50	PC4N002-2D	45
PC2N150-5C	44	PC4M004-5	49	PC4M075-5D	52	PC4N002-5	41
PC2N150-5D	46	PC4M004-5C	51	PC4M1.5-4	49	PC4N002-5C	43
PC2N150-9	42	PC4M004-5D	51	PC4M1.5-4C	51	PC4N002-5D	45
PC2N150-9C	44	PC4M010-4	49	PC4M1.5-4D	51	PC4N003-2	41
PC2N150-9D	46	PC4M010-4C	51	PC4M1.5-5	49	PC4N003-2C	43
PC2N200-5	42	PC4M010-4D	51	PC4M1.5-5C	51	PC4N003-2D	45
PC2N200-5C	44	PC4M010-5	49	PC4M1.5-5D	51	PC4N003-5	41
PC2N200-5D	46	PC4M010-5C	51	PC4M100-4	50	PC4N003-5C	43
PC2N200-9	42	PC4M010-5D	51	PC4M100-4D	52	PC4N003-5D	45
PC2N200-9C	44	PC4M015-4	49	PC4M100-5	50	PC4N005-2	41
PC2N200-9D	46	PC4M015-4C	51	PC4M100-5D	52	PC4N005-2C	43
PC2N250-5	42	PC4M015-4D	51	PC4M125-5	50	PC4N005-2D	45
PC2N250-5C	44	PC4M015-5	49	PC4M125-5D	52	PC4N005-5	41
PC2N250-5D	46	PC4M015-5C	51	PC4M125-9	50	PC4N005-5C	43
PC2N250-9	42	PC4M015-5D	51	PC4M125-9D	52	PC4N005-5D	45
PC2N250-9C	44	PC4M020-4	50	PC4M150-5	50	PC4N010-2	41
PC2N250-9D	46	PC4M020-4C	52	PC4M150-5D	52	PC4N010-2C	43
PC2N7.5-2	41	PC4M020-4D	52	PC4M150-9	50	PC4N010-2D	45
PC2N7.5-2C	43	PC4M020-5	50	PC4M150-9D	52	PC4N010-5	41
PC2N7.5-2D	45	PC4M020-5C	52	PC4M200-5	50	PC4N010-5C	43
PC2N7.5-5	41	PC4M020-5D	52	PC4M200-5D	52	PC4N010-5D	45
PC2N7.5-5C	43	PC4M025-4	50	PC4M200-9	50	PC4N015-2	41
PC2N7.5-5D	45	PC4M025-4D	52	PC4M200-9D	52	PC4N015-2C	43
PC4M001-4	49	PC4M025-5	50	PC4M5.5-4	49	PC4N015-2D	45
PC4M001-4C	51	PC4M025-5D	52	PC4M5.5-4C	51	PC4N015-5	41
PC4M001-4D	51	PC4M030-4	50	PC4M5.5-4D	51	PC4N015-5C	43
PC4M001-5	49	PC4M030-4D	52	PC4M5.5-5	49	PC4N015-5D	45
PC4M001-5C	51	PC4M030-5	50	PC4M5.5-5C	51	PC4N020-2	41
PC4M001-5D	51	PC4M030-5D	52	PC4M5.5-5D	51	PC4N020-2C	43
PC4M002-4	49	PC4M040-4	50	PC4M7.5-4	49	PC4N020-2D	45
PC4M002-4C	51	PC4M040-4D	52	PC4M7.5-4C	51	PC4N020-5	41
PC4M002-4D	51	PC4M040-5	50	PC4M7.5-4D	51	PC4N020-5C	43
PC4M002-5	49	PC4M040-5D	52	PC4M7.5-5	49	PC4N020-5D	45
PC4M002-5C	51	PC4M050-4	50	PC4M7.5-5C	51	PC4N025-2	41
PC4M002-5D	51	PC4M050-4D	52	PC4M7.5-5D	51	PC4N025-2C	43
PC4M003-4	49	PC4M050-5	50	PC4N001-2	41	PC4N025-2D	45
PC4M003-4C	51	PC4M050-5D	52	PC4N001-2C	43	PC4N025-5	41
PC4M003-4D	51	PC4M060-4	50	PC4N001-2D	45	PC4N025-5C	43
PC4M003-5	49	PC4M060-4D	52	PC4N001-5	41	PC4N025-5D	45

Part Number	Page	Part Number	Page	Part Number	Page	Part Number	Page
PC4N030-2	41	PC4N125-5D	46	PC6M003-5C	51	PC6M075-4	50
PC4N030-2C	43	PC4N125-9	42	PC6M003-5D	51	PC6M075-4D	52
PC4N030-2D	45	PC4N125-9C	44	PC6M004-4	49	PC6M075-5	50
PC4N030-5	41	PC4N125-9D	46	PC6M004-4C	51	PC6M075-5D	52
PC4N030-5C	43	PC4N150-5	42	PC6M004-4D	51	PC6M1.5-4	49
PC4N030-5D	45	PC4N150-5C	44	PC6M004-5	49	PC6M1.5-4C	51
PC4N040-2	41	PC4N150-5D	46	PC6M004-5C	51	PC6M1.5-4D	51
PC4N040-2C	43	PC4N150-9	42	PC6M004-5D	51	PC6M1.5-5	49
PC4N040-2D	45	PC4N150-9C	44	PC6M010-4	49	PC6M1.5-5C	51
PC4N040-5	41	PC4N150-9D	46	PC6M010-4C	51	PC6M1.5-5D	51
PC4N040-5C	43	PC4N200-5	42	PC6M010-4D	51	PC6M100-4	50
PC4N040-5D	45	PC4N200-5C	44	PC6M010-5	49	PC6M100-4D	52
PC4N050-2	42	PC4N200-5D	46	PC6M010-5C	51	PC6M100-5	50
PC4N050-2C	44	PC4N200-9	42	PC6M010-5D	51	PC6M100-5D	52
PC4N050-2D	46	PC4N200-9C	44	PC6M015-4	49	PC6M125-5	50
PC4N050-5	42	PC4N200-9D	46	PC6M015-4C	51	PC6M125-5D	52
PC4N050-5C	44	PC4N250-5	42	PC6M015-4D	51	PC6M125-9	50
PC4N050-5D	46	PC4N250-5C	44	PC6M015-5	49	PC6M125-9D	52
PC4N060-2	42	PC4N250-5D	46	PC6M015-5C	51	PC6M150-5	50
PC4N060-2C	44	PC4N250-9	42	PC6M015-5D	51	PC6M150-5D	52
PC4N060-2D	46	PC4N250-9C	44	PC6M020-4	50	PC6M150-9	50
PC4N060-5	42	PC4N250-9D	46	PC6M020-4D	52	PC6M150-9D	52
PC4N060-5C	44	PC4N7.5-2	41	PC6M020-5	50	PC6M5.5-4	49
PC4N060-5D	46	PC4N7.5-2C	43	PC6M020-5D	52	PC6M5.5-4C	51
PC4N075-2	42	PC4N7.5-2D	45	PC6M025-4	50	PC6M5.5-4D	51
PC4N075-2C	44	PC4N7.5-5	41	PC6M025-4D	52	PC6M5.5-5	49
PC4N075-2D	46	PC4N7.5-5C	43	PC6M025-5	50	PC6M5.5-5C	51
PC4N075-5	42	PC4N7.5-5D	45	PC6M025-5D	52	PC6M5.5-5D	51
PC4N075-5C	44	PC6M001-4	49	PC6M030-4	50	PC6M7.5-4	49
PC4N075-5D	46	PC6M001-4C	51	PC6M030-4D	52	PC6M7.5-4C	51
PC4N1.5-2	41	PC6M001-4D	51	PC6M030-5	50	PC6M7.5-4D	51
PC4N1.5-2C	43	PC6M001-5	49	PC6M030-5D	52	PC6M7.5-5	49
PC4N1.5-2D	45	PC6M001-5C	51	PC6M040-4	50	PC6M7.5-5C	51
PC4N1.5-5	41	PC6M001-5D	51	PC6M040-4D	52	PC6M7.5-5D	51
PC4N1.5-5C	43	PC6M002-4	49	PC6M040-5	50	PC6N001-2	41
PC4N1.5-5D	45	PC6M002-4C	51	PC6M040-5D	52	PC6N001-2C	43
PC4N100-2	42	PC6M002-4D	51	PC6M050-4	50	PC6N001-2D	45
PC4N100-2C	44	PC6M002-5	49	PC6M050-4D	52	PC6N001-5	41
PC4N100-2D	46	PC6M002-5C	51	PC6M050-5	50	PC6N001-5C	43
PC4N100-5	42	PC6M002-5D	51	PC6M050-5D	52	PC6N001-5D	45
PC4N100-5C	44	PC6M003-4	49	PC6M060-4	50	PC6N002-2	41
PC4N100-5D	46	PC6M003-4C	51	PC6M060-4D	52	PC6N002-2C	43
PC4N125-5	42	PC6M003-4D	51	PC6M060-5	50	PC6N002-2D	45
PC4N125-5C	44	PC6M003-5	49	PC6M060-5D	52	PC6N002-5	41

Part Number	Page	Part Number	Page	Part Number	Page	Part Number	Page
PC6N002-5C	43	PC6N040-2	41	PC6N150-5D	46	PX2N040-5	23
PC6N002-5D	45	PC6N040-2C	43	PC6N150-9	42	PX2N040-5C	25
PC6N003-2	41	PC6N040-2D	45	PC6N150-9C	44	PX2N050-2	23
PC6N003-2C	43	PC6N040-5	41	PC6N150-9D	46	PX2N050-2C	25
PC6N003-2D	45	PC6N040-5C	43	PC6N7.5-2	41	PX2N050-5	23
PC6N003-5	41	PC6N040-5D	45	PC6N7.5-2C	43	PX2N050-5C	25
PC6N003-5C	43	PC6N050-2	42	PC6N7.5-2D	45	PX2N060-2	23
PC6N003-5D	45	PC6N050-2C	44	PC6N7.5-5	41	PX2N060-2C	25
PC6N005-2	41	PC6N050-2D	46	PC6N7.5-5C	43	PX2N060-5	23
PC6N005-2C	43	PC6N050-5	42	PC6N7.5-5D	45	PX2N060-5C	25
PC6N005-2D	45	PC6N050-5C	44	PX2N002-2	22	PX2N075-2	23
PC6N005-5	41	PC6N050-5D	46	PX2N002-2C	24	PX2N075-2C	25
PC6N005-5C	43	PC6N060-2	42	PX2N002-5	22	PX2N075-5	23
PC6N005-5D	45	PC6N060-2C	44	PX2N002-5C	24	PX2N075-5C	25
PC6N010-2	41	PC6N060-2D	46	PX2N003-2	22	PX2N1.5-2	22
PC6N010-2C	43	PC6N060-5	42	PX2N003-2C	24	PX2N1.5-2C	24
PC6N010-2D	45	PC6N060-5C	44	PX2N003-5	22	PX2N1.5-5	22
PC6N010-5	41	PC6N060-5D	46	PX2N003-5C	24	PX2N1.5-5C	24
PC6N010-5C	43	PC6N075-2	42	PX2N005-2	22	PX2N100-2	23
PC6N010-5D	45	PC6N075-2C	44	PX2N005-2C	24	PX2N100-2C	25
PC6N015-2	41	PC6N075-2D	46	PX2N005-5	22	PX2N100-5	23
PC6N015-2C	43	PC6N075-5	42	PX2N005-5C	24	PX2N100-5C	25
PC6N015-2D	45	PC6N075-5C	44	PX2N010-2	22	PX2N125-5	23
PC6N015-5	41	PC6N075-5D	46	PX2N010-2C	24	PX2N125-5C	25
PC6N015-5C	43	PC6N1.5-2	41	PX2N010-5	22	PX2N125-9	23
PC6N015-5D	45	PC6N1.5-2C	43	PX2N010-5C	24	PX2N125-9C	25
PC6N020-2	41	PC6N1.5-2D	45	PX2N015-2	22	PX2N150-5	23
PC6N020-2C	43	PC6N1.5-5	41	PX2N015-2C	24	PX2N150-5C	25
PC6N020-2D	45	PC6N1.5-5C	43	PX2N015-5	22	PX2N150-9	23
PC6N020-5	41	PC6N1.5-5D	45	PX2N015-5C	24	PX2N150-9C	25
PC6N020-5C	43	PC6N100-2	42	PX2N020-2	22	PX2N7.5-2	22
PC6N020-5D	45	PC6N100-2C	44	PX2N020-2C	24	PX2N7.5-2C	24
PC6N025-2	41	PC6N100-2D	46	PX2N020-5	22	PX2N7.5-5	22
PC6N025-2C	43	PC6N100-5	42	PX2N020-5C	24	PX2N7.5-5C	24
PC6N025-2D	45	PC6N100-5C	44	PX2N025-2	22	PX4N001-2	22
PC6N025-5	41	PC6N100-5D	46	PX2N025-2C	24	PX4N001-2C	24
PC6N025-5C	43	PC6N125-5	42	PX2N025-5	22	PX4N001-5	22
PC6N025-5D	45	PC6N125-5C	44	PX2N025-5C	24	PX4N001-5C	24
PC6N030-2	41	PC6N125-5D	46	PX2N030-2	23	PX4N002-2	22
PC6N030-2C	43	PC6N125-9	42	PX2N030-2C	25	PX4N002-2C	24
PC6N030-2D	45	PC6N125-9C	44	PX2N030-5	23	PX4N002-5	22
PC6N030-5	41	PC6N125-9D	46	PX2N030-5C	25	PX4N002-5C	24
PC6N030-5C	43	PC6N150-5	42	PX2N040-2	23	PX4N003-2	22
PC6N030-5D	45	PC6N150-5C	44	PX2N040-2C	25	PX4N003-2C	24

Part Number	Page	Part Number	Page	Part Number	Page	Part Number	Page
PX4N003-5	22	PX4N1.5-5	22	PX6N020-5	22	SS2N.75-1C	2
PX4N003-5C	24	PX4N1.5-5C	24	PX6N020-5C	24	SS2N001-1C	2
PX4N005-2	22	PX4N100-2	23	PX6N025-2	22	SS2N002-1C	2
PX4N005-2C	24	PX4N100-2C	25	PX6N025-2C	24	SS2N1.5-1C	2
PX4N005-5	22	PX4N100-5	23	PX6N025-5	22	SS4N.33-1C	2
PX4N005-5C	24	PX4N100-5C	25	PX6N025-5C	24	SS4N.50-1C	2
PX4N010-2	22	PX4N125-5	23	PX6N030-2	23	SS4N.75-1C	2
PX4N010-2C	24	PX4N125-5C	25	PX6N030-2C	25	SS4N001-1C	2
PX4N010-5	22	PX4N125-9	23	PX6N030-5	23	SS4N002-1C	2
PX4N010-5C	24	PX4N125-9C	25	PX6N030-5C	25	SS4N1.5-1C	2
PX4N015-2	22	PX4N150-5	23	PX6N040-2	23	TA2M.25-2	47
PX4N015-2C	24	PX4N150-5C	25	PX6N040-2C	25	TA2M.25-2C	48
PX4N015-5	22	PX4N150-9	23	PX6N040-5	23	TA2M.25-2D	48
PX4N015-5C	24	PX4N150-9C	25	PX6N040-5C	25	TA2M.25-5	47
PX4N020-2	22	PX4N7.5-2	22	PX6N050-2	23	TA2M.25-5C	48
PX4N020-2C	24	PX4N7.5-2C	24	PX6N050-2C	25	TA2M.25-5D	48
PX4N020-5	22	PX4N7.5-5	22	PX6N050-5	23	TA2M.33-2	47
PX4N020-5C	24	PX4N7.5-5C	24	PX6N050-5C	25	TA2M.33-2C	48
PX4N025-2	22	PX6N001-2	22	PX6N060-2	23	TA2M.33-2D	48
PX4N025-2C	24	PX6N001-2C	24	PX6N060-2C	25	TA2M.33-5	47
PX4N025-5	22	PX6N001-5	22	PX6N060-5	23	TA2M.33-5C	48
PX4N025-5C	24	PX6N001-5C	24	PX6N060-5C	25	TA2M.33-5D	48
PX4N030-2	23	PX6N002-2	22	PX6N075-2	23	TA2M.50-2	47
PX4N030-2C	25	PX6N002-2C	24	PX6N075-2C	25	TA2M.50-2C	48
PX4N030-5	23	PX6N002-5	22	PX6N075-5	23	TA2M.50-2D	48
PX4N030-5C	25	PX6N002-5C	24	PX6N075-5C	25	TA2M.50-5	47
PX4N040-2	23	PX6N003-2	22	PX6N1.5-2	22	TA2M.50-5C	48
PX4N040-2C	25	PX6N003-2C	24	PX6N1.5-2C	24	TA2M.50-5D	48
PX4N040-5	23	PX6N003-5	22	PX6N1.5-5	22	TA2M.75-2	47
PX4N040-5C	25	PX6N003-5C	24	PX6N1.5-5C	24	TA2M.75-2C	48
PX4N050-2	23	PX6N005-2	22	PX6N100-2	23	TA2M.75-2D	48
PX4N050-2C	25	PX6N005-2C	24	PX6N100-2C	25	TA2M.75-5	47
PX4N050-5	23	PX6N005-5	22	PX6N100-5	23	TA2M.75-5C	48
PX4N050-5C	25	PX6N005-5C	24	PX6N100-5C	25	TA2M.75-5D	48
PX4N060-2	23	PX6N010-2	22	PX6N125-5	23	TA2M001-2	47
PX4N060-2C	25	PX6N010-2C	24	PX6N125-5C	25	TA2M001-2C	48
PX4N060-5	23	PX6N010-5	22	PX6N125-9	23	TA2M001-2D	48
PX4N060-5C	25	PX6N010-5C	24	PX6N125-9C	25	TA2M001-5	47
PX4N075-2	23	PX6N015-2	22	PX6N7.5-2	22	TA2M001-5C	48
PX4N075-2C	25	PX6N015-2C	24	PX6N7.5-2C	24	TA2M001-5D	48
PX4N075-5	23	PX6N015-5	22	PX6N7.5-5	22	TA2M1.5-2	47
PX4N075-5C	25	PX6N015-5C	24	PX6N7.5-5C	24	TA2M1.5-2C	48
PX4N1.5-2	22	PX6N020-2	22	SS2N.33-1C	2	TA2M1.5-2D	48
PX4N1.5-2C	24	PX6N020-2C	24	SS2N.50-1C	2	TA2M1.5-5	47

Part Number	Page
TA2M1.5-5C	48
TA2M1.5-5D	48
TA4M.25-2	47
TA4M.25-2C	48
TA4M.25-2D	48
TA4M.25-5	47
TA4M.25-5C	48
TA4M.25-5D	48
TA4M.33-2	47
TA4M.33-2C	48
TA4M.33-2D	48
TA4M.33-5	47
TA4M.33-5C	48
TA4M.33-5D	48
TA4M.50-2	47
TA4M.50-2C	48
TA4M.50-2D	48
TA4M.50-5	47
TA4M.50-5C	48
TA4M.50-5D	48
TA4M.75-2	47
TA4M.75-2C	48
TA4M.75-2D	48
TA4M.75-5	47
TA4M.75-5C	48
TA4M.75-5D	48
TA4M001-2	47
TA4M001-2C	48
TA4M001-2D	48
TA4M001-5	47
TA4M001-5C	48
TA4M001-5D	48
TA6M.25-2	47
TA6M.25-2C	48
TA6M.25-2D	48
TA6M.25-5	47
TA6M.25-5C	48
TA6M.25-5D	48
TA6M.33-2	47
TA6M.33-2C	48
TA6M.33-2D	48
TA6M.33-5	47
TA6M.33-5C	48
TA6M.33-5D	48

Part Number	Page
TA6M.50-2	47
TA6M.50-2C	48
TA6M.50-2D	48
TA6M.50-5	47
TA6M.50-5C	48
TA6M.50-5D	48
TA6M.75-2	47
TA6M.75-2C	48
TA6M.75-2D	48
TA6M.75-5	47
TA6M.75-5C	48
TA6M.75-5D	48
TA8M.25-2	47
TA8M.25-2C	48
TA8M.25-2D	48
TA8M.25-5	47
TA8M.25-5C	48
TA8M.25-5D	48
TA8M.33-2	47
TA8M.33-2C	48
TA8M.33-2D	48
TA8M.33-5	47
TA8M.33-5C	48
TA8M.33-5D	48
TA8M.50-2	47
TA8M.50-2C	48
TA8M.50-2D	48
TA8M.50-5	47
TA8M.50-5C	48
TA8M.50-5D	48
TA8M.75-2	47
TA8M.75-2C	48
TA8M.75-2D	48
TA8M.75-5	47
TA8M.75-5C	48
TA8M.75-5D	48